

Mod. G7545 - Fittings Series 7000 - Automation

Product code: G7545 8-6

Datasheet creation date: 11/12/2025 09:36

Check the most updated document online [click here](#)

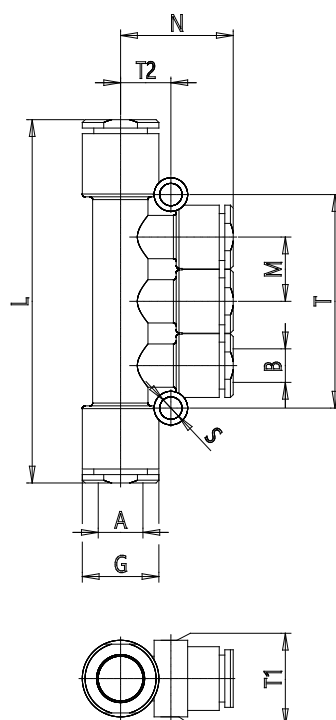


TECHNICAL DATA

| | |
|------|-----------|
| Mod. | G7545 8-6 |
|------|-----------|

Mod. G7545 - Fittings Series 7000 - Automation

Product code: G7545 8-6



DIMENSIONS

| | |
|-------------------|------|
| A (mm) | 8 |
| B (mm) | 6 |
| G (mm) | 13.7 |
| L (mm) | 65.0 |
| M (mm) | 11.5 |
| N (mm) | 27.0 |
| T (mm) | 38.2 |
| T1 (mm) | 13.7 |
| T2 (mm) | 9.0 |
| Weight (g) | 8 |