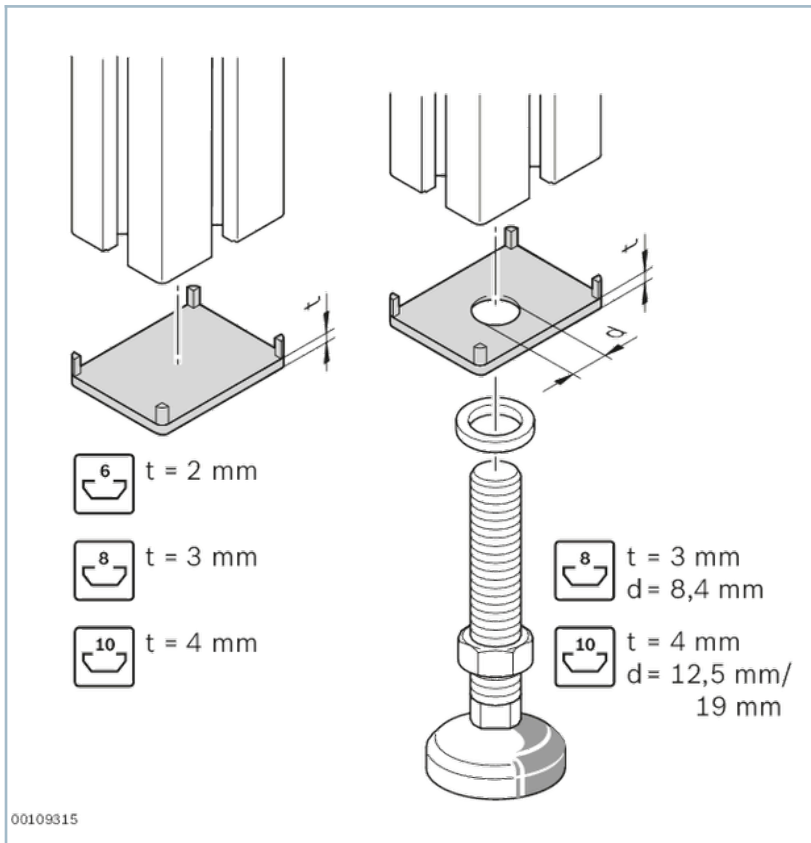


Cover cap 60x60



- Cover cap to prevent injuries at open profile ends
- Attractive design
- Cover cap with hole for use with leveling feet and rollers




Product description



Technical data

No.	Material
3842548808	PP
3842548809	
3842548810	
3842548811	

Ordering codes

		ESD	No.
Cover cap 60x60, signal gray	100		3842548808
Mounting hole plug 60x60, black	100		3842548809
Cover cap with hole 60x60, signal gray	20		3842548810
Cover cap with hole 60x60, black	20		3842548811