

DO NOT SCALE

METRIC

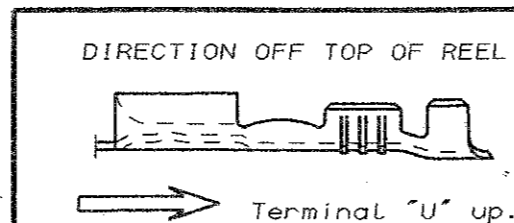
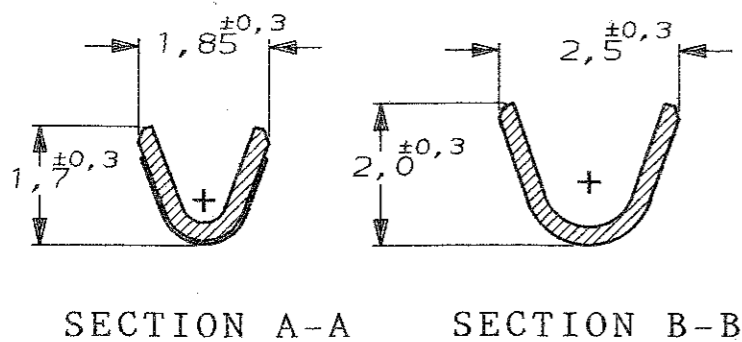
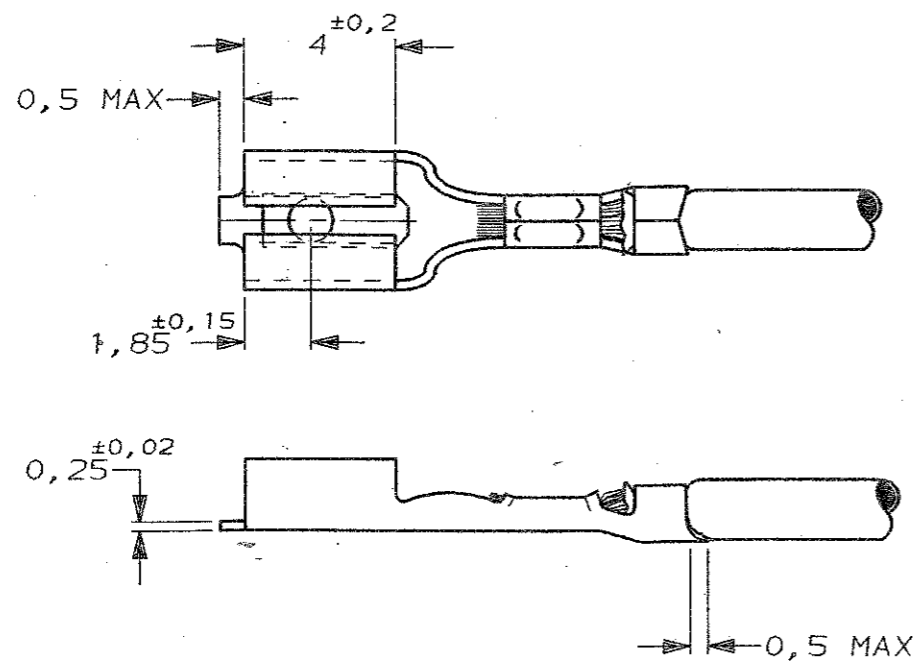
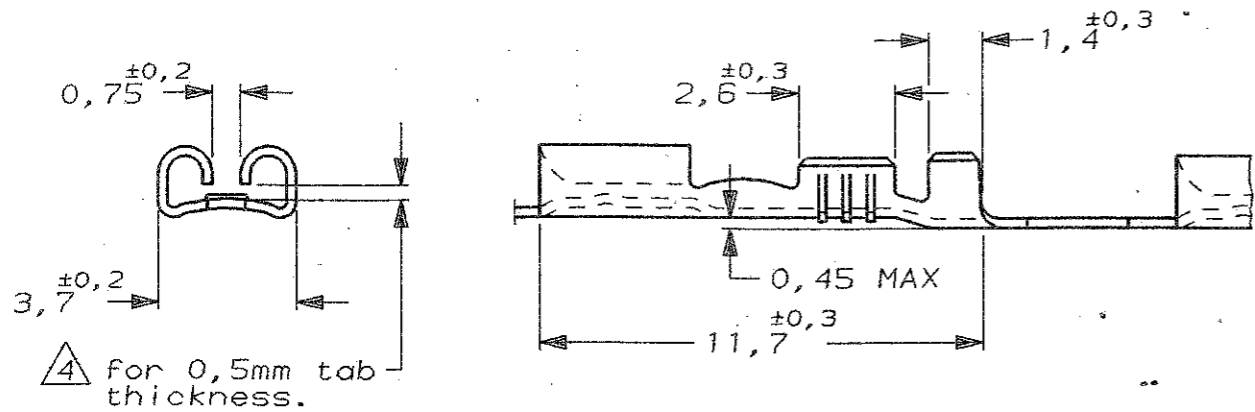
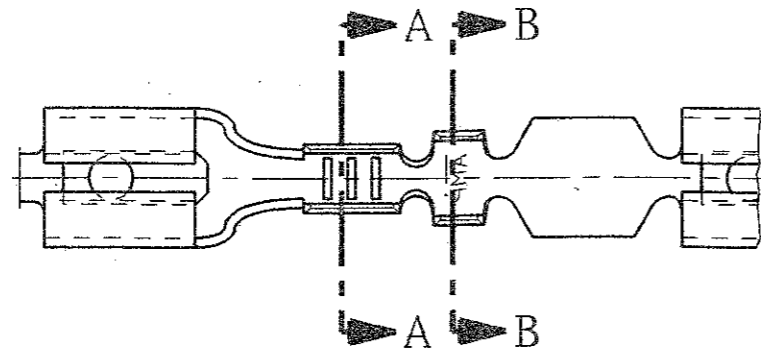
THIRD ANGLE
PROJECTION



DIMENSIONS IN mm

NOTES

- 1 FOR USE ON MINIATURE APPLICATORS (LEFT-RIGHT FEED) AND STANDARD APPLICATORS (RIGHT-LEFT FEED).
- 2 BRASS ACC ASTM B36 ALLOY 260.
- 3 PH. BRONZE ACC ASTM B103.
- 4 GAGE 0,45 MUST NOT ENTER , GAGE 0,33 MUST ENTER.



NOTES	FINISH	MATERIAL	PARTNUMBER
1/2	TINPLATED	BRASS	160666-5
1/3	TINPLATED	PH. BRONZE	160666-4
1/2	UNPLATED	BRASS	160666-3
1/3	GOLDPLATED	PH. BRONZE	160666-2
1/3	UNPLATED	PH. BRONZE	160666-1

CUSTOMER DRAWING		AMP		AMP-HOLLAND B.V. s-Hertogenbosch, The Netherlands.	
FOR REFERENCE ONLY WILL NOT BE UPDATED		THIS DRAWING IS UNPUBLISHED RELEASED FOR PUBLICATION oct , 1986			
		© COPYRIGHT 1986 BY AMP-HOLLAND B.V. ALL INTERNATIONAL RIGHTS RESERVED. AMP PRODUCTS MAY BE COVERED BY U.S. AND FOREIGN PATENTS AND/OR PATENTS PENDING.			
DR. R.v.Lokven	DATE 06.10.86	WIRE RANGE 0,12-0,35mm ²	NAME .110 SRS FASTON RECEPTACLE. (short version).		REV. DATE D M Y 06 10 86
CHK. A.B.	DATE 07.10.86	INSUL. RANGE 0,9-1,6mmDIA			
APP. L.v.Soest	DATE 07.10.86	SIZE A3	SHEET 1 OF 1	DWG. No. C-160666	REV. LTR. R1 K

8 | 7 | 6 | 5 | 4 | 3 | 2 | 1