

HWA SPDs

Square D™ Hard Wired Surge Protective Devices

Square D™ brand SurgeLogic™ HWA Surge Protective Devices (SPDs) are surge suppressors and noise filters in compact and affordable packages. The compact designs allow surge suppression to be installed adjacent to power panels or directly on sensitive equipment in harsh electrical conditions.



by Schneider Electric

HWA SPDs

Features



HWA systems are versatile and compact Surge Protective Devices (SPDs) designed to provide high-quality surge suppression for a wide variety of commercial, industrial or institutional applications. Square D brand Surgelologic HWA devices can be used in a network of surge suppression applications or as a stand-alone surge suppressor.

Superior Performance

Surgelologic HWA SPDs utilize a high-energy suppression circuit that provides 10 modes of suppression from 50,000 to 100,000 peak Amps of surge current rating per phase. HWA SPDs contain a suppression circuit that not only provides transient suppression, but also noise filtration.

Hard wire SPD units provide reliable operation by incorporating the latest engineering developments. Each MOV is individually fused and incorporates patented overvoltage technology innovations that provide superior overvoltage withstand capability for systems with unstable power, without compromising transient clamping performance. These products carry a NEMA type 4X rating suitable for installing indoors, outdoors, or in other harsh environments.

Easy Installation

HWA SPDs mount directly to the panel through a nipped connection. They allow easy mounting near the circuit breaker in order to reduce lead lengths and improve surge suppression.

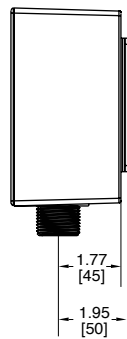
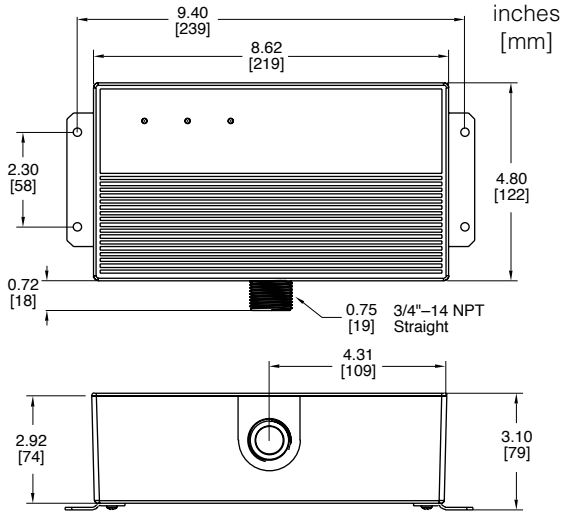
Warranty

Surgelologic HWA SPDs have a 10-year warranty.

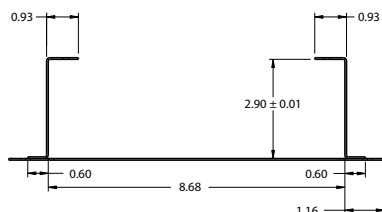
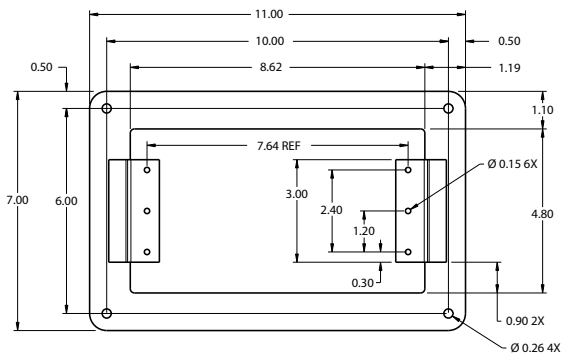
FEATURES	ADVANTAGES	BENEFITS
NEMA 4X Rated	Allows installation in outdoor applications	Provides surge suppression to vulnerable equipment powered from weather-exposed panels
Overvoltage technology	Superior overvoltage withstand and surge suppression	Longer product life and increased tolerance to unstable power conditions
EMI/RFI Noise Rejection	Increased transient suppression	Improves surge suppression to the equipment
LED Status Indication	Allows visual indication of the suppressor's status	Provides immediate response if suppressor is damaged
Suppression Status Alarm	Allows multiple methods of alarm notification	Provides immediate notification through audible and visual indication if reduced suppression occurs
Coordinated Fuse Technology	Coordinated fusing allows disconnection methods for thermal and overcurrent events	Provides premium surge suppression while managing both thermal and overcurrent end-of-life events

HWA SPDs

Features (continued)



TVSHWAFMK HWA Flush Mount Kit



HWA SPDs



Performance

Surge Current Rating per Phase	Up to 100kA
Short Circuit Current Rating	200 kA
Modes of Protection	10
Fusing	Individually fused MOVs
Thermal Fusing	Yes
Overcurrent Fusing	Yes
EMI/RFI Filtering	-54 dB
Sine Wave Tracking	Yes
Operating Frequency	50/60 Hz

Mechanical Description

Dimensions	8.62" x 4.80" x 2.92"
Weight	5 lbs
Enclosure	Non-Metallic
NEMA Rating	NEMA 4X
Connection Method	#10 AWG, Stranded
Mounting Method/Circuit Type	Parallel
Operating Altitude	Sea Level-12,000' (3,658 m)
Storage Temperature	-40° F to +149° F (-40° C to +65° C)
Operating Temperature	-4° F to +149° F (-20° C to +65° C)
Operating Humidity	0 to 95% non-condensing

Diagnostics

Green status LEDs, audible alarm, dry contacts

Options

Remote Monitor
Flush Mount Kit

Listings and Performance

cULus Listed per UL1449 3rd Edition Type 2 SPD,
UL 1283 5th Edition, CSA C22.2 No. 8-M1986
Complies with UL 96A 12th Ed. Master Label
requirements for Lighting Protection Systems

HWA SPDs Specifications

Voltage	Surge Current per Phase	Modes of Protection	Configuration	Model Number	MCOV	I _n	VPR			
							L-N	L-G	L-L	N-G
120/240V	50kA	6	1 Ø, 3-wire+G	TVS1HWA50X	150V	20kA	900V	1200V	1500V	700V
208Y/120V ■	50kA	10	3 Ø, Wye, 4-wire+G	TVS2HWA50X	150V	20kA	900V	1200V	1500V	700V
480Y/277V ▲	50kA	10	3 Ø, Wye, 4-wire+G	TVS4HWA50X	320V	20kA	1200V	2000V	2500V	1000V
480V Delta	50kA	6	3 Ø, Delta, 3-wire+G	TVS5HWA50X	640V	20kA	N/A	2500V	2500V	N/A
240V Delta	50kA	6	3 Ø, Delta, 3-wire+G	TVS6HWA50X	300V	20kA	N/A	1500V	1500V	N/A
600Y/347V	50kA	10	3 Ø, Wye, 4-wire+G	TVS8HWA50X	420V	20kA	1500V	2500V	3000V	1500V
600V Delta	50kA	6	3 Ø, Delta, 3-wire+G	TVS9HWA50X	840V	20kA	N/A	3000V	3000V	N/A
120/240V	80kA	6	1 Ø, 3-wire+G	TVS1HWA80X	150V	20kA	900V	1200V	1500V	700V
208Y/120V ■	80kA	10	3 Ø, Wye, 4-wire+G	TVS2HWA80X	150V	20kA	900V	1200V	1500V	700V
480Y/277V ▲	80kA	10	3 Ø, Wye, 4-wire+G	TVS4HWA80X	320V	20kA	1200V	2000V	2500V	1000V
480V Delta	80kA	6	3 Ø, Delta, 3-wire+G	TVS5HWA80X	640V	20kA	N/A	2500V	2500V	N/A
240V Delta	80kA	6	3 Ø, Delta, 3-wire+G	TVS6HWA80X	300V	20kA	N/A	1500V	1500V	N/A
600Y/347V	80kA	10	3 Ø, Wye, 4-wire+G	TVS8HWA80X	420V	20kA	1500V	2500V	3000V	1500V
600V Delta	80kA	6	3 Ø, Delta, 3-wire+G	TVS9HWA80X	840V	20kA	N/A	3000V	3000V	N/A
120/240V	100kA	6	1 Ø, 3-wire+G	TVS1HWA10X	150V	20kA	900V	1200V	1500V	700V
208Y/120V ■	100kA	10	3 Ø, Wye, 4-wire+G	TVS2HWA10X	150V	20kA	900V	1200V	1500V	700V
480Y/277V ▲	100kA	10	3 Ø, Wye, 4-wire+G	TVS4HWA10X	320V	20kA	1200V	2000V	2500V	1000V
480V Delta	100kA	6	3 Ø, Delta, 3-wire+G	TVS5HWA10X	640V	20kA	N/A	2500V	2500V	N/A
240V Delta	100kA	6	3 Ø, Delta, 3-wire+G	TVS6HWA10X	300V	20kA	N/A	1500V	1500V	N/A
600Y/347V	100kA	10	3 Ø, Wye, 4-wire+G	TVS8HWA10X	420V	20kA	1500V	2500V	3000V	1500V
600V Delta	100kA	6	3 Ø, Delta, 3-wire+G	TVS9HWA10X	840V	20kA	N/A	3000V	3000V	N/A

■ 208Y/120 series also applies to the following voltage 220Y/127 ▲ 480Y/277 series also applies to the following voltages 380Y/220, 400Y/230, and 415Y/240

Voltage	Surge Current per Phase	Modes of Protection	Configuration	Model Number	MCOV	I _n	VPR						
							L-N	H-N	L-G	H-G	L-L	H-L	N-G
240/120HLD	50kA	10	3 Ø, HLD*, 4-wire+G	TVS3HWA50X	150V/270V	20kA	1000V	1200V	1200V	1500V	1500V	1800V	700V
240/120HLD	80kA	10	3 Ø, HLD*, 4-wire+G	TVS3HWA80X	150V/270V	20kA	1000V	1200V	1200V	1500V	1500V	1800V	700V
240/120HLD	100kA	10	3 Ø, HLD*, 4-wire+G	TVS3HWA10X	150V/270V	20kA	1000V	1200V	1200V	1500V	1500V	1800V	700V

*HLD = High-leg delta

SPD OPTIONS

HWA Flush Mount Kit TVSHWAFMK
Remote Monitor TVS12RMU

Schneider Electric USA, Inc.
1751 S. 4800 W.
Salt Lake City, UT 84104
Telephone: (801)-977-9009
www.surgeologic.com

Schneider Electric México, S.A. de C.V.
Calz. J. Rojo Gómez 1121-A
Col. Gpe. del Moral 09300 México, D.F.
Tel. 55-5804-5000
www.schneider-electric.com.mx

Schneider Electric Canada, Inc.
5985 McLaughlin Road
Mississauga, ON L5R 1B8 Canada
Tel: 1-800-565-6699
www.schneider-electric.ca