

FSMIJ61AB04 ✓ ACTIVE

Alcoswitch | Alcoswitch FSMIJ

TE Internal #: 2213818-1

50 mA Tactile Switch, Rectangular Actuator, Off (On), Brass, Silver Contact Plating, Alcoswitch FSMIJ

[View on TE.com >](#)



Switches > Tactile Switches



Contact Current Rating: **50 mA**

Actuator Style: **Rectangular Actuator**

Operating Function: **Off (On)**

Contact Base Material: **Brass**

Switch Contact Plating Material: **Silver**

Features

Product Type Features

Illuminated	With
Actuator Style	Rectangular Actuator

Configuration Features

Operating Function	Off (On)
Configuration (Pole-Throw)	Single Pole - Single Throw
Number of Actuators	Single

Body Features

Actuator Force	100 g[3.52 oz]
Product Orientation	Vertical
Actuator Color	Brown

Contact Features

Contact Current Rating	50 mA
Contact Base Material	Brass
Switch Contact Plating Material	Silver

Termination Features

Termination Method to PCB	Through Hole - Solder
---------------------------	-----------------------

Housing Features

--	--

Process Sealed	No
----------------	----

Usage Conditions

Operating Temperature Range	-25 – 70 °C
-----------------------------	-------------

Product Compliance

[For compliance documentation, visit the product page on TE.com>](#)

EU RoHS Directive 2011/65/EU	Compliant
EU ELV Directive 2000/53/EC	Not Yet Reviewed
China RoHS 2 Directive MIIT Order No 32, 2016	No Restricted Materials Above Threshold
EU REACH Regulation (EC) No. 1907/2006	Current ECHA Candidate List: JAN 2025 (247) Candidate List Declared Against: JUN 2020 (209) Does not contain REACH SVHC
Halogen Content	Not Yet Reviewed for halogen content
Solder Process Capability	Wave solder capable to 265°C

Product Compliance Disclaimer

This information is provided based on reasonable inquiry of our suppliers and represents our current actual knowledge based on the information they provided. This information is subject to change. The part numbers that TE has identified as EU RoHS compliant have a maximum concentration of 0.1% by weight in homogenous materials for lead, hexavalent chromium, mercury, PBB, PBDE, DBP, BBP, DEHP, DIBP, and 0.01% for cadmium, or qualify for an exemption to these limits as defined in the Annexes of Directive 2011/65/EU (RoHS2). Finished electrical and electronic equipment products will be CE marked as required by Directive 2011/65/EU. Components may not be CE marked. Additionally, the part numbers that TE has identified as EU ELV compliant have a maximum concentration of 0.1% by weight in homogenous materials for lead, hexavalent chromium, and mercury, and 0.01% for cadmium, or qualify for an exemption to these limits as defined in the Annexes of Directive 2000/53/EC (ELV). Regarding the REACH Regulation, the information TE provides on SVHC in articles for this part number is based on the latest European Chemicals Agency (ECHA) 'Guidance on requirements for substances in articles' posted at this URL: <https://echa.europa.eu/guidance-documents/guidance-on-reach>

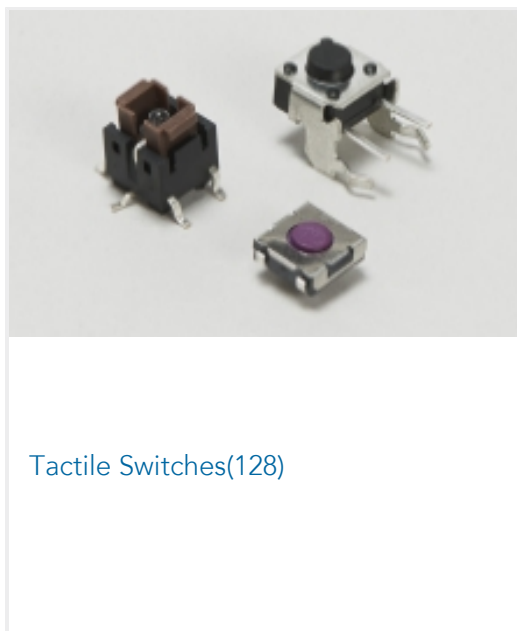
Compatible Parts





TE Part # 4-2213819-8
6X6 ILL TACT SMT 260GF HI COLD
WHITE

Also in the Series | [Alcoswitch FSMIJ](#)

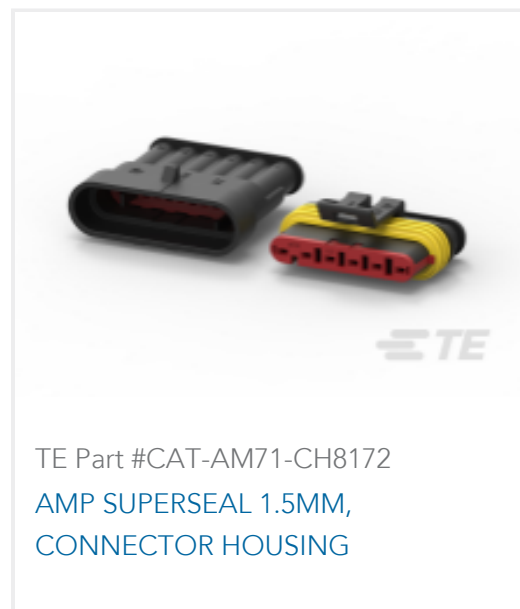


Tactile Switches(128)

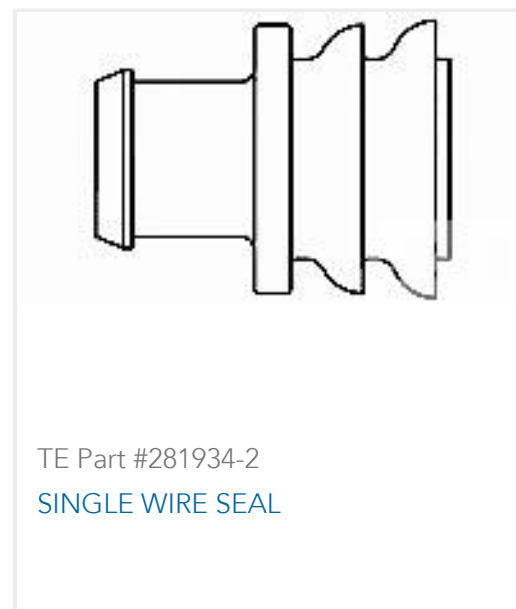
Customers Also Bought



TE Part #114017-ZZ
SEALING PLUG, SIZE 12/16, WHT



TE Part #CAT-AM71-CH8172
AMP SUPERSEAL 1.5MM,
CONNECTOR HOUSING



TE Part #281934-2
SINGLE WIRE SEAL



TE Part #CAT-D48-ST273
DEUTSCH Solid Contacts



TE Part #DT04-2P
REC, 2P, GRY, N



TE Part #DT06-2S
PLG, 2P, GRY, N



TE Part #CAT-D487-W416
Wedgelocks: DEUTSCH DT

Documents

Product Drawings

[6X6 ILL TACT THT 100GF BLUE](#)

English

CAD Files

[3D PDF](#)

[3D](#)



Customer View Model

[ENG_CVM_CVM_2213818-1_B.2d_dxf.zip](#)

English

Customer View Model

[ENG_CVM_CVM_2213818-1_B.3d_igs.zip](#)

English

Customer View Model

[ENG_CVM_CVM_2213818-1_B.3d_stp.zip](#)

English

By downloading the CAD file I accept and agree to the [Terms and Conditions](#) of use.

Datasheets & Catalog Pages

[Illuminated Tactile Switch flyer](#)

English