

Switchcraft®

[Previous Page](#) | [Return to Index](#) | [Next Page](#)



DIN RECEPTACLES

RIGHT-ANGLE RECEPTACLE for Printed Circuit Board Mounting

[click here to download a schematic drawing](#)

(you will need to have Adobe Acrobat installed on your system to do this)



Type 57PC5F-typical Mounts to PC boards. Plugs connect at right-angle to mounting surface. Part Number 57PC3F mates with either 3 or 5 pin (at 180°) plugs because of two extra blanks in contact insert. ground contact provides complete shielding through

receptacles.

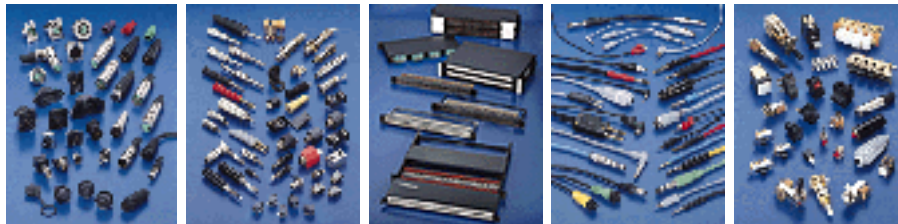
ORDERING INFORMATION

Part Number	Description	Contact Arrangement
꜠57PC3F	3 contacts at 180°	B
57PC5F	5 contacts at 180°	F
꜠60PC4F	4 contacts at 210°	D
61PC5F	5 contacts at 240°	E
61PC6F	6 contacts at 240°	G
꜠62PC7F	7 contacts at 270°	H
62PC8F	8 contacts at 270°	N
꜠70PC8F	8 contacts at 262°	P

꜠ Available on special order only; contact Switchcraft for price and delivery.

[Previous Page](#) | [Return to Index](#) | [Next Page](#)

To search a category please click on the corresponding icon:



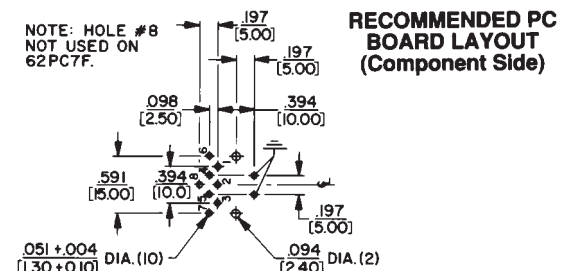
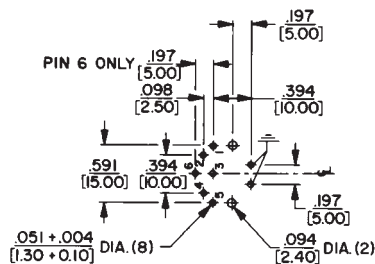
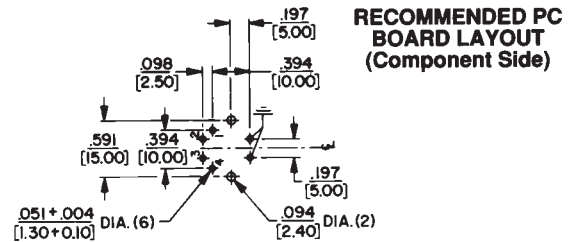
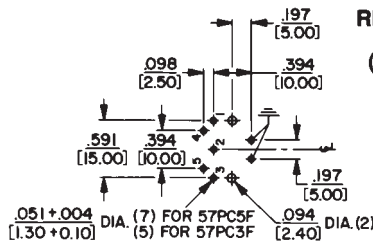
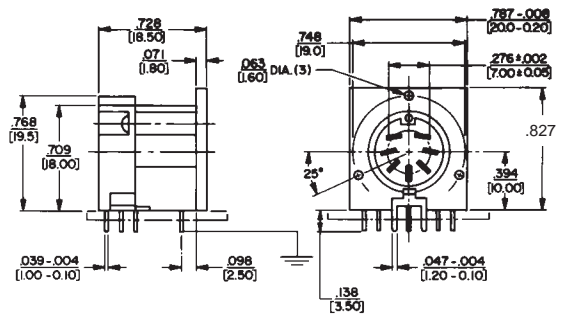
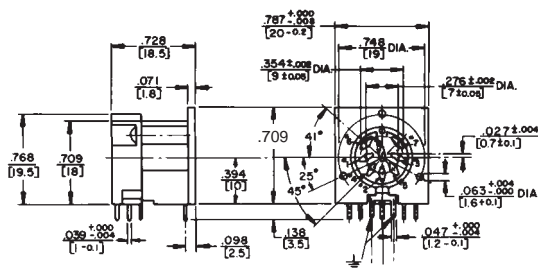
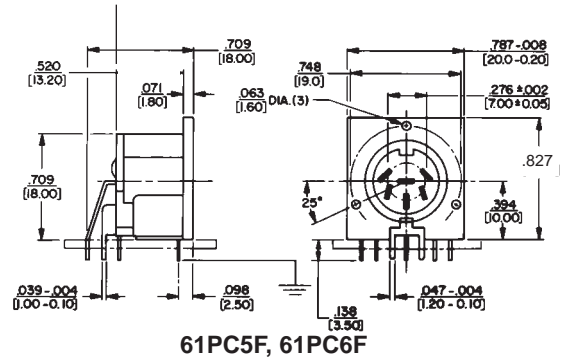
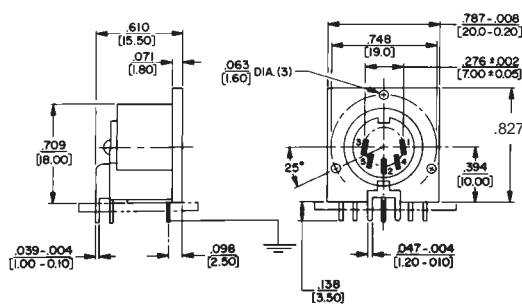
| [Connectors](#) | [Jacks and Plugs](#) |
| [Patch Panels, Patch Kits & Jackfields](#) | [Cable Assemblies and Patch Cords](#) | [Switches](#) |

All products shown are covered by Switchcraft's limited lifetime warranty.

| [Switchcraft home](#) |
[About Us](#) | [Products](#) | [What's New](#) | [Search](#) | [Contact Us](#)

DIN RECEPTACLES

RIGHT-ANGLE RECEPTACLE for Printed Circuit Board Mounting



DIMENSIONS ARE FOR REFERENCE ONLY $\frac{\text{Inch}}{\text{(mm)}}$

NOTE: Contact your Switchcraft Representative for price and delivery.