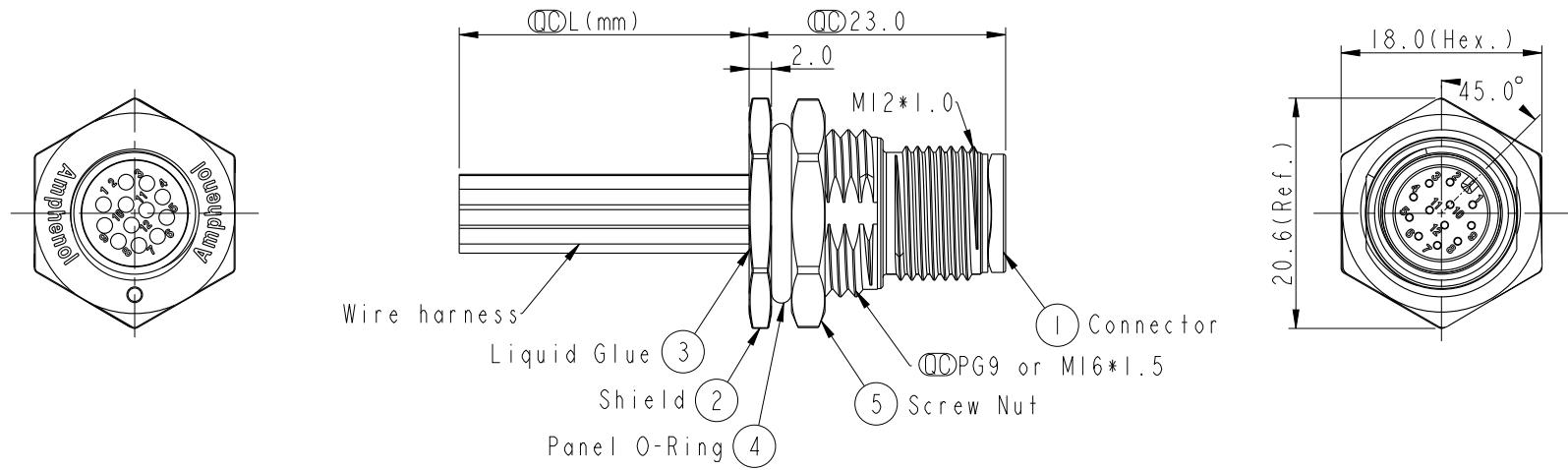


THIS DOCUMENT IS SUBJECT TO CHANGE WITHOUT NOTICE. IT IS CONFIDENTIAL AND A PROPERTY OF Amphenol LTW. DISCLOSURE TO THIRD PARTY HAS TO BE AUTHORIZED BY Amphenol LTW.

REV.	ECN NO.	DATE	SIGN	DESCRIPTION
B	LE31570252-261	2015/07/23	Yulong_wang	Change to Share Drawing.
C	LEN1680569-580 LEN1680598-603	2016/08/08	Yulong_wang	Add 6Pin & IP69K.

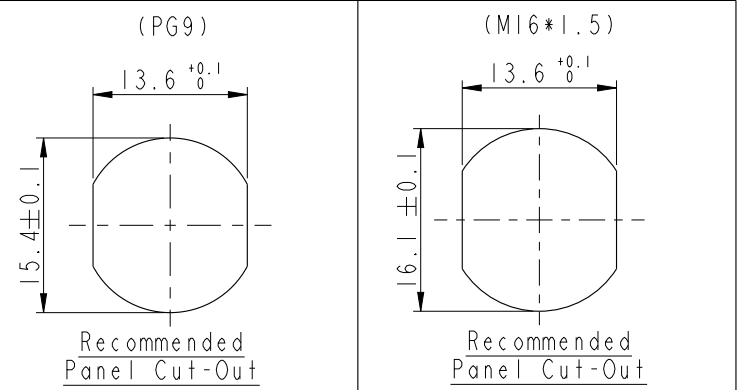
△



ALTW
CONFIDENTIAL
2016-08-08
R&D DEPT.

ALTW
DCC. DEPT.
CONFIDENTIAL
2016.08.16
ISSUED

- Notes:
- * \varnothing Important Dimension.
 - △ * Waterproof Rate: IP68, IP69K.
 - * Connector: Nylon+GF, Black.
 - * Male Pin: Copper Alloy, Gold Plated.
 - * Shield: Zinc Alloy, Nickel Plated.
 - * Screw Nut: Zinc Alloy, Nickel Plated.
 - * Panel O-Ring: Viton, Black.
 - * Wire harness: UL1061
 - * Rated Voltage: 3 & 4Pin 250V dc. or ac.
5Pin 60V dc. or ac.
6~12Pin 30V dc. or ac.
 - * Rated Current: 3~5Pin 4A
6~8Pin 2A
10~12Pin 1.5A
 - * Operating Temperature: -25~85°C
 - * For Panel Thickness Max 4.5mm.
 - * Nut Torque: 4-6 Kgf.cm.
 - * Wire harness Tolerance: 150~300 ±15mm
301~1000 ±20mm
Over1000 ±40mm



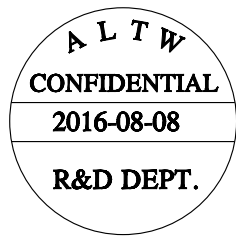
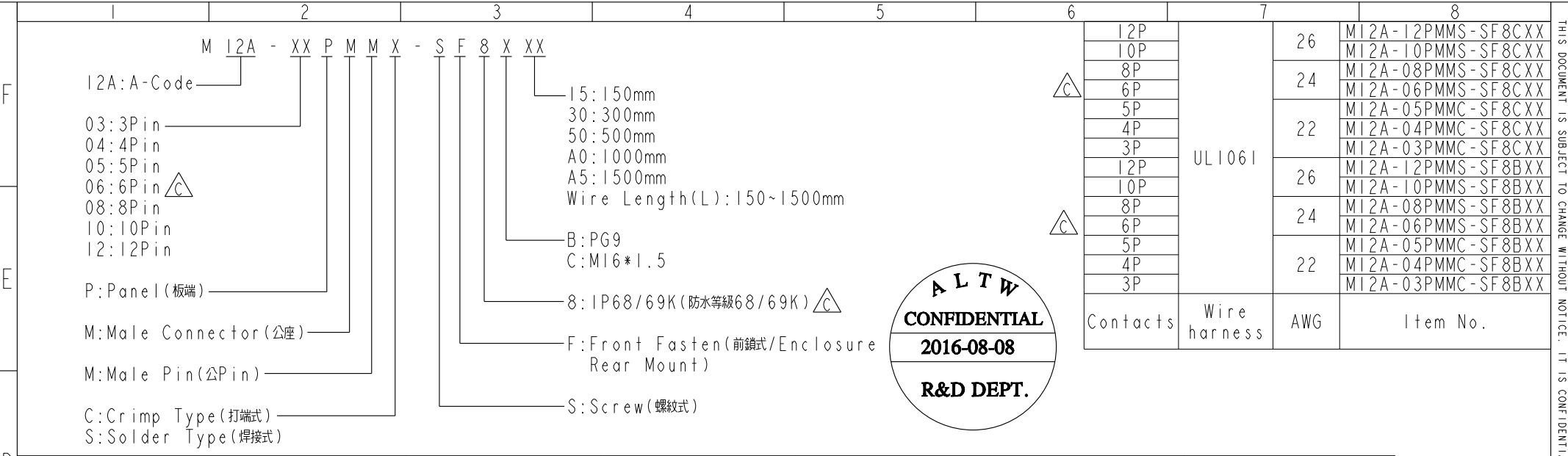
UNIT: mm		
TOLERANCE		
.X	±0.25	
.XX	±0.1	
.XXX	±0.05	
ANGLES	±1°	

TITLE M12 A-Code Male Conn. Panel Front With Wire harness			
SCALE 3:2	SIZE A4	SHEET 1 OF 2	
REV. C	WC-REV. A.3	\varnothing : Inspection item	

Amphenol LTW
安費諾亮泰企業股份有限公司

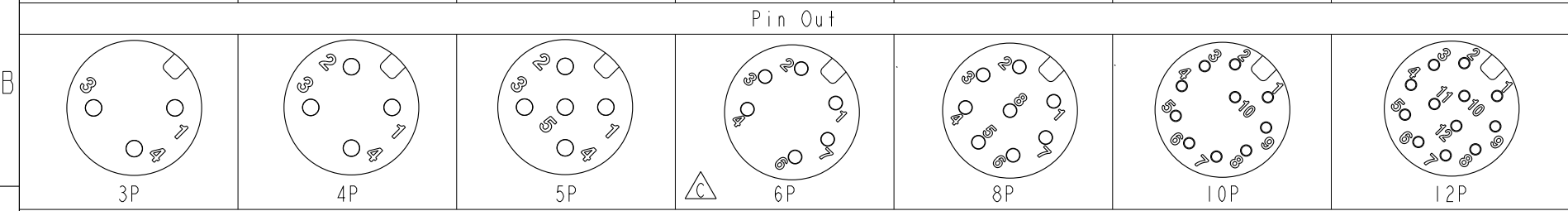
ITEM NO.	DRAWN BY Yulong_wang	DATE 2016-08-08
DWG NO. M12A-XXPMMX-SF8XXX	CHECKED BY Jinhai	DATE 2016-08-08
CUSTOMER ALTW	APPROVED BY Jerry	DATE 2016-08-08

THIS DOCUMENT IS SUBJECT TO CHANGE WITHOUT NOTICE. IT IS CONFIDENTIAL AND A PROPERTY OF Amphenol LTW. DISCLOSURE TO THIRD PARTY HAS TO BE AUTHORIZED BY Amphenol LTW.



12P	UL1061	26	M12A-12PMMS-SF8CXX
10P			M12A-10PMMS-SF8CXX
8P		24	M12A-08PMMS-SF8CXX
6P			M12A-06PMMS-SF8CXX
5P		22	M12A-05PMMC-SF8CXX
4P			M12A-04PMMC-SF8CXX
3P			M12A-03PMMC-SF8CXX
12P		26	M12A-12PMMS-SF8BXX
10P			M12A-10PMMS-SF8BXX
8P		24	M12A-08PMMS-SF8BXX
6P			M12A-06PMMS-SF8BXX
5P		22	M12A-05PMMC-SF8BXX
4P	M12A-04PMMC-SF8BXX		
3P	M12A-03PMMC-SF8BXX		
Contacts	Wire harness	AWG	Item No.

5	--	5	--	5	Gray	灰	5	Gray	灰	5	Red	紅	12	--	12	Red/Blue	紅/藍	
4	Black	4	Black	4	Black	黑	4	Black	黑	4	Blue	藍	11	--	11	Gray/Pink	灰/粉	
3	Blue	3	Blue	3	Blue	藍	3	Blue	藍	3	Pink	粉	10	Violet	10	Violet	紫	
2	--	2	White	2	White	白	2	White	白	2	Gray	灰	9	Black	9	Black	黑	
1	Brown	1	Brown	1	Brown	棕	1	Brown	棕	1	Yellow	黃	8	Red	8	Red	紅	
											8	Blue	藍	7	Blue	7	Blue	藍
											6	Pink	粉	6	Pink	6	Pink	粉
											5	Gray	灰	5	Gray	5	Gray	灰
											4	Yellow	黃	4	Yellow	4	Yellow	黃
											3	Green	綠	3	Green	3	Green	綠
											2	Brown	棕	2	Brown	2	Brown	棕
											1	White	白	1	White	1	White	白



Pin Assignments Front View

UNIT: mm		TITLE M12 A-Code Male Conn. Panel Front With Wire harness		<h1 style="text-align: center;">Amphenol LTW</h1> <p style="text-align: center;">安費諾亮泰企業股份有限公司</p>	ITEM NO	DRAWN BY	DATE	
		SCALE 3:2	SIZE A4		SHEET 2 OF 2	DWG NO M12A-XXPMMC-SF8XXX	CHECKED BY Jinhai	DATE 2016-08-08
		REV. C	WC-REV. A.3		Inspection item	CUSTOMER ALTW	APPROVED BY Jerry	DATE 2016-08-08