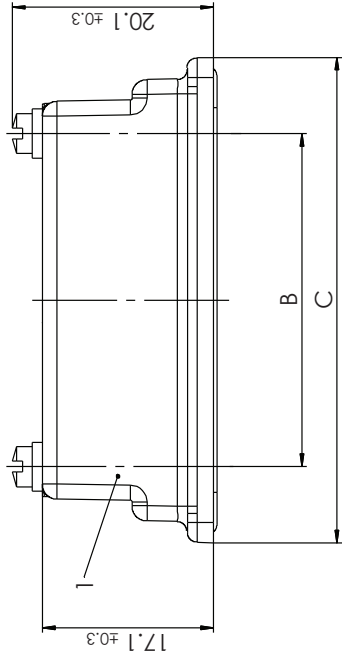
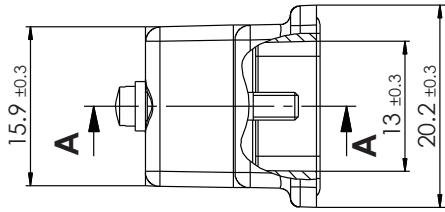
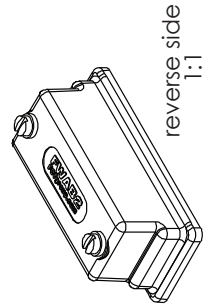
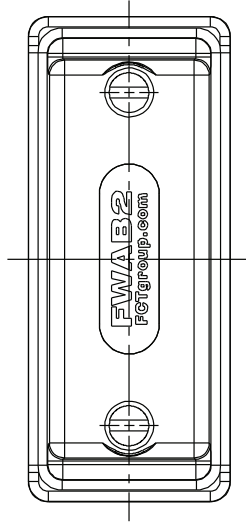
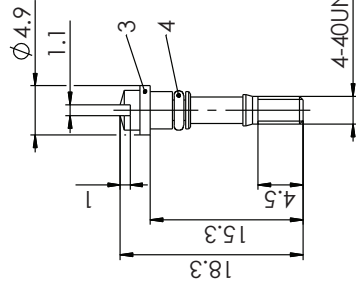
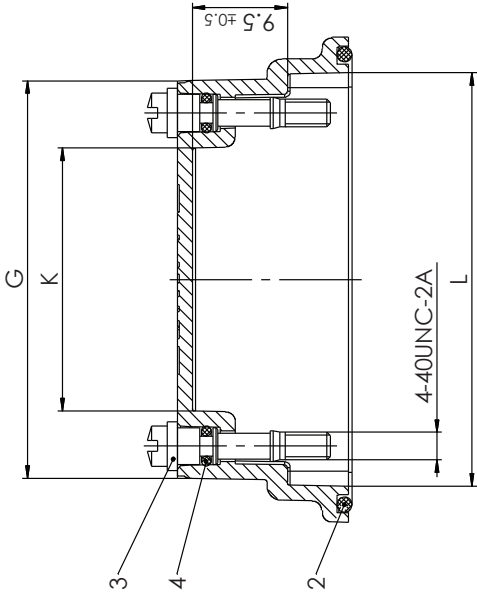


Order-No.	Shell Size / for No. of Contacts	B ±0.1	C ±0.3	G ±0.3	K ±0.3	L ±0.3
FWAB1	1 / 9	25	40.3	31.4	18	32.6
FWAB2	2 / 15	33.3	48.5	39.7	26.3	41.3
FWAB3	3 / 25	47	62.3	53.5	40	55.1



**A-A**



Packing unit on supplement AM0409

max. torque are 40 Ncm

Protection standard IP67, 100% checked according to DIN EN 60529

RoHS compliant

No.	St.	Part	Type Description / Material	SCALE	TITLE
4	2	FVSW - O-ring seal	Elastomer	ISO 2768-m	2:1
3	2	Locking screw	FVSW1/5-K1449 4-40 / Brass		
2	1	O-ring seal	Elastomer		
1	1	Plastic dust cup	FWAB1-3 / PC+ABS		

Reference to:	Scale	Title
ISO 2768-m	2:1	Plastic dust cup
NAME / DATE		
ISCHNEIDER		
26.07.2016		
DRAWN		
CHECKED		
DATE		
2016		

REV.	DATE	CH.-NO.	DWG.NO.	REPLACEMENT FOR:	PAGE 1
1			FWAB1-3-4488		1



ORIGINAL DN AS DRAWING AS A FILE