

# Pneumatic contact - HC-M-PN3-1,60-ST - 1663488

Please be informed that the data shown in this PDF Document is generated from our Online Catalog. Please find the complete data in the user's documentation. Our General Terms of Use for Downloads are valid (<http://phoenixcontact.com/download>)




Pneumatic pin, for HC-M-PN3 module, internal hose diameter of 1.6 mm



COMPLETE

## Key Commercial Data

Packing unit	10 pc
Minimum order quantity	10 pc
GTIN	 4 017918 123291
GTIN	4017918123291
Weight per Piece (excluding packing)	0.940 g
Custom tariff number	39174000
Country of origin	United States

## Technical data

### Ambient conditions

Ambient temperature (operation)	-40 °C ... 80 °C
---------------------------------	------------------

### Mechanical characteristics

Contact diameter	5.2 mm
Operating pressure	8.00 bar
Internal diameter of pressure hose connection	1.6 mm
Insertion/withdrawal cycles	≥ 500

### General

Series	HC-M-03-PN
Integrated valve	No
Color	black
Connection method	Hose connection

### Material data

# Pneumatic contact - HC-M-PN3-1,60-ST - 1663488

## Technical data

### Material data

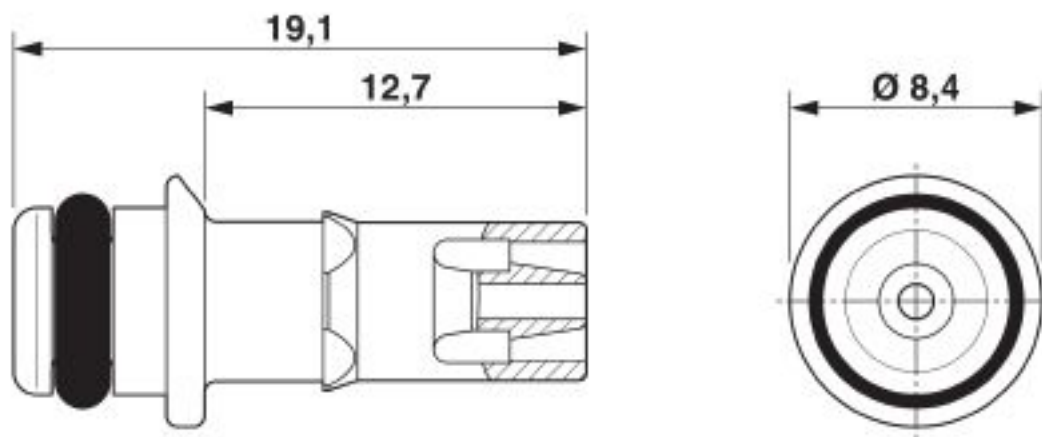
Contact material	Delrin acetal
------------------	---------------

### Environmental Product Compliance

China RoHS	Environmentally friendly use period: unlimited = EFUP-e
	No hazardous substances above threshold values

## Drawings

Dimensional drawing



## Classifications

### eCl@ss

eCl@ss 10.0.1	27440192
eCl@ss 4.0	27140800
eCl@ss 4.1	27140800
eCl@ss 5.0	27143400
eCl@ss 5.1	27261200
eCl@ss 6.0	27261200
eCl@ss 7.0	27440205
eCl@ss 8.0	27440205
eCl@ss 9.0	27440192

### ETIM

ETIM 2.0	EC000796
ETIM 3.0	EC000796
ETIM 4.0	EC000796
ETIM 5.0	EC000438
ETIM 6.0	EC000438

# Pneumatic contact - HC-M-PN3-1,60-ST - 1663488

## Classifications

### ETIM

ETIM 7.0	EC000438
----------	----------

### UNSPSC

UNSPSC 6.01	30211808
UNSPSC 7.0901	39121408
UNSPSC 11	39121408
UNSPSC 12.01	39121408
UNSPSC 13.2	39121522
UNSPSC 18.0	39121421
UNSPSC 19.0	39121421
UNSPSC 20.0	39121421
UNSPSC 21.0	39121421

## Approvals

### Approvals

---

Approvals

EAC

---

Ex Approvals

---

### Approval details

EAC		RU C- DE.AI30.B.01102
-----	--	--------------------------

## Accessories

### Accessories

Pneumatic insert, modular

Contact insert module - HC-M-03-PN-M-F - 1417433



Contact insert module, number of positions: 3, Socket, Pin, application: Pneumatics, for internal hose diameter of 1.6 / 3 / 4 mm

## Pneumatic contact - HC-M-PN3-1,60-ST - 1663488

### Accessories

Gasket - HC-M-PN3-ERSORI - 1408203



Replacement O-ring for HC-M-PN3...ST pneumatic pin contacts

---

### Additional products

Pneumatic contact - HC-M-PN3-1,60-BU - 1663514



Pneumatic socket, for HC-M-PN3 module, internal hose diameter of 1.6 mm