

**Ordering number FP11084\_LISA2-RS-CLIP**

Family	Lisa2	FWHM	16 degrees
Type	Assembly	Efficiency	89 %
LED	Oslon SSL 150	cd/lm	-
Color	Black	Gerber File	Available
Diameter	9.9 mm		
Height	6.6 mm		
Style	Round		
Optic Material	PMMA		
Holder Material	PC		
Fastening	Clips, glue		
Status	Ready		

**Ordering number FP11081\_LISA2-M-CLIP**

Family	Lisa2	FWHM	23 degrees
Type	Assembly	Efficiency	90 %
LED	Oslon SSL 150	cd/lm	-
Color	Black	Gerber File	Available
Diameter	9.9 mm		
Height	6.6 mm		
Style	Round		
Optic Material	PMMA		
Holder Material	PC		
Fastening	Clips, glue		
Status	Ready		

**Ordering number FP11083\_LISA2-WW-CLIP**

Family	Lisa2	FWHM	45 degrees
Type	Assembly	Efficiency	91 %
LED	Oslon SSL 150	cd/lm	1.230
Color	Black	Gerber File	Available
Diameter	9.9 mm		
Height	7 mm		
Style	Round		
Optic Material	PMMA		
Holder Material	PC		
Fastening	Clips, glue		
Status	Ready		

**Ordering number FP11082\_LISA2-W-CLIP**

Family	Lisa2	FWHM	46 degrees
Type	Assembly	Efficiency	90 %
LED	Oslon SSL 150	cd/lm	-
Color	Black	Gerber File	Available
Diameter	9.9 mm		
Height	6.6 mm		
Style	Round		
Optic Material	PMMA		
Holder Material	PC		
Fastening	Clips, glue		
Status	Ready		

**Ordering number FP11120\_LISA2-O-CLIP**

Family	Lisa2	FWHM	48+19 degrees
Type	Assembly	Efficiency	82 %
LED	Oslon SSL 150	cd/lm	-
Color	Black	Gerber File	Available
Diameter	9.9 mm		
Height	6.6 mm		
Style	Round		
Optic Material	PMMA		
Holder Material	PC		
Fastening	Clips, glue		
Status	Ready		

**Ordering number FP11857\_LISA2-O-90-CLIP**

Family	Lisa2	FWHM	48+19 degrees
Type	Assembly	Efficiency	78 %
LED	Oslon SSL 150	cd/lm	-
Color	Black	Gerber File	Available
Diameter	9.9 mm		
Height	6.6 mm		
Style	Round		
Optic Material	PMMA		
Holder Material	PC		
Fastening	Clips, glue		
Status	Ready		

**Ordering number FP11958\_LISA2-WWW-CLIP**

Family	Lisa2	FWHM	94 degrees
Type	Assembly	Efficiency	70 %
LED	Oslon SSL 150	cd/lm	-
Color	Black	Gerber File	Available
Diameter	9.9 mm		
Height	6.6 mm		
Style	Round		
Optic Material	PMMA		
Holder Material	PC		
Fastening	Clips, glue		
Status	Ready		

**NOTE: The typical divergence will be changed by different color, chip size and chip position tolerance. The typical total divergence is the full angle measured where the luminous intensity is half of the peak value.**



## PRODUCT DATASHEET

### Lisa2 series

last update 14/6/2012



#### GENERAL INFORMATION

- Product series especially designed & optimized for Oslon SSL 150 series of LEDs.
- Special care taken to make light distribution as uniform as possible.
- Lens material optical grade PMMA with high UV and temperature resistance. Allows use of high current and temperature conditions.

Please find more information about used material from below:

[http://ledil.fi/sites/default/files/Documents/Technical/Material/PMMA%20N%20UL94\\_Yellow%20Card.pdf](http://ledil.fi/sites/default/files/Documents/Technical/Material/PMMA%20N%20UL94_Yellow%20Card.pdf)

<http://ledil.fi/sites/default/files/Documents/Technical/Material/PMMA%20N%20PLEXIGLAS-Datasheet.pdf>

- Optic holder molded by high quality PC material (120 degrees of Celcius / 248 degrees of Fahrenheit).

D

C

B

A

4

4

3

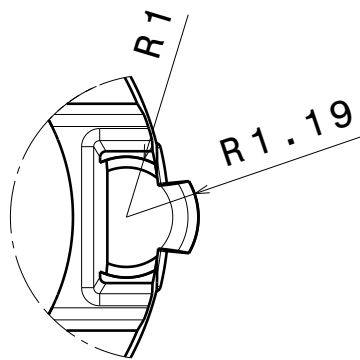
3

2

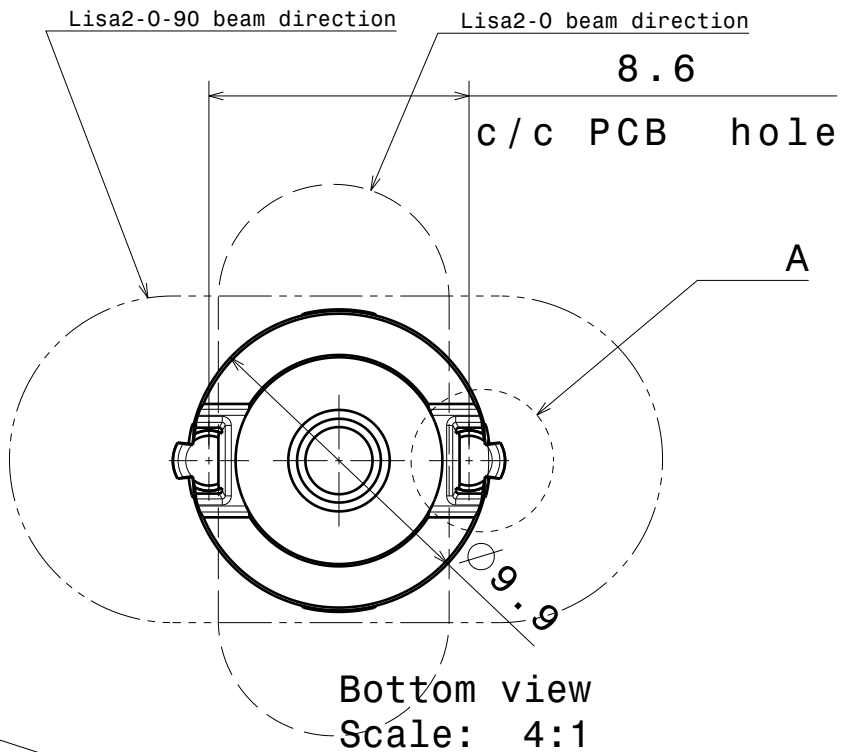
2

1

1



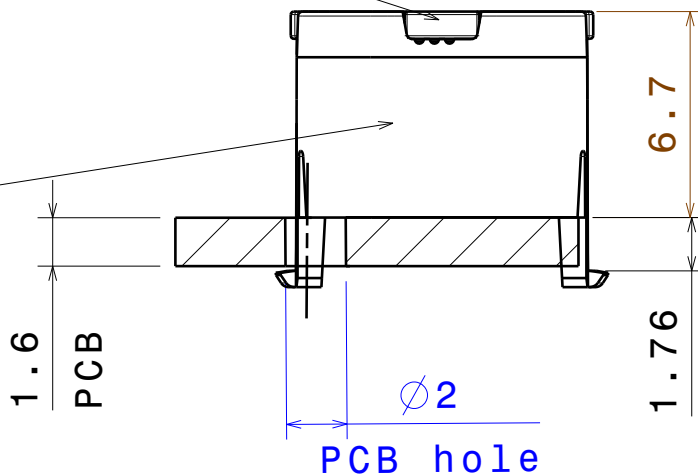
Detail A  
Scale: 8:1



Bottom view  
Scale: 4:1

Lens

Holder



Front view  
Scale: 4:1

Materials:  
Lens PMMA  
Holder PC

This drawing is our property.  
It can't be reproduced  
or communicated without  
our written agreement.



L  
T  
F  
F

e  
e  
i  
i  
N  
n

d  
h

DRAWING TITLE

Datasheet Lisa2-clip16-0SL series Assy

DRAWN BY

DATE

ca

20.7.2011

CHECKED BY

DATE

sn

20.7.2011

DESIGNED BY

DATE

hh

19.10.2009

SIZE

DRAWING NUMBER

REV

A4

2

SCALE

4:1

WEIGHT (g)

SHEET

1/1

D

A