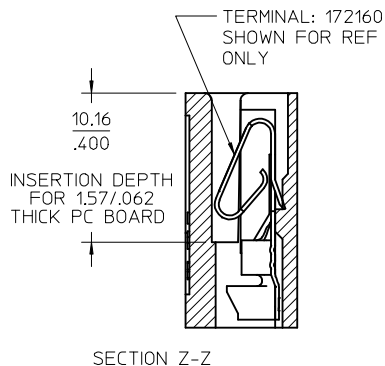
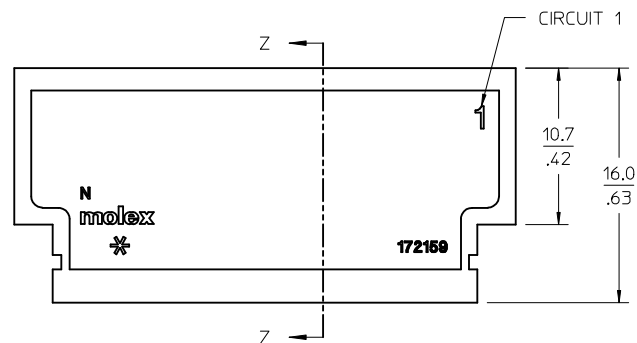
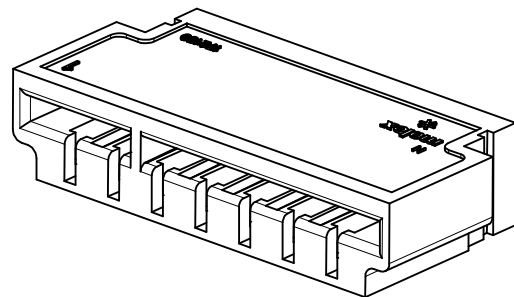


- NOTES:
1. MATERIAL: NYLON 6/6, 94V-2, WHITE
  2. FINISH: N/A
  3. PRODUCT SPECIFICATION: PS-172160-0001
  4. PACKAGING SPECIFICATION: PK-172159-0001
  5. COSMETIC SPECIFICATION: PS-45499-002 CLASS B
  6. HOUSING ACCEPTS TERMINAL: 172160
  7. THIS PART WITH PCB HOOK SEE SD-172159-0002
  8. DIMENSION TO BE 2.54-2.79 / .100-.110 TO POLARIZE HOUSING AND PCB.



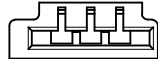
CKTS	MATERIAL NO	POL RIB	DIM A	DIM B	DIM C	DIM E
03	172159-0003	N/A	$15.70$ $.618$	$20.24$ $.797$	$16.05$ $.632$	$7.92$ $.312$
04	172159-0004	N/A	$19.66$ $.774$	$22.30$ $.878$	$20.02$ $.788$	$11.89$ $.468$
05	172159-0205	2-3	$23.42$ $.922$	$26.26$ $1.034$	$23.98$ $.944$	$15.85$ $.624$
06	172159-0206	2-3	$27.38$ $1.078$	$30.23$ $1.190$	$27.94$ $1.100$	$19.81$ $.780$
07	172159-0207	2-3	$31.29$ $1.232$	$34.19$ $1.346$	$31.90$ $1.256$	$23.77$ $.936$
08	172159-0208	3-4	$35.26$ $1.388$	$38.15$ $1.502$	$35.86$ $1.412$	$27.74$ $1.092$
09	172159-0209	3-4, 7-8	$39.22$ $1.544$	$42.11$ $1.658$	$39.83$ $1.568$	$31.70$ $1.248$
10	172159-0210	3-4, 6-7	$43.18$ $1.700$	$46.08$ $1.814$	$43.79$ $1.724$	$35.66$ $1.404$
11	172159-0211	3-4, 7-8	$47.09$ $1.854$	$50.04$ $1.970$	$47.75$ $1.880$	$39.62$ $1.560$
12	172159-0212	3-4, 8-9	$51.05$ $2.010$	$54.00$ $2.126$	$51.71$ $2.036$	$43.59$ $1.716$



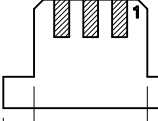
DIMENSION E REF. EC NO: UCP2015-4221 DRW:MKIPPER 2015/02/11 CHKD:JBELL 2015/02/11 APPR:FSMITH 2015/04/16	GENERAL TOLERANCES (UNLESS SPECIFIED)		DIMENSION STYLE MM/IN		SCALE 3:1	DESIGN UNITS INCH	THIRD ANGLE PROJECTION																		
	<table border="1"> <thead> <tr> <th></th> <th>mm</th> <th>INCH</th> </tr> </thead> <tbody> <tr> <td>4 PLACES</td> <td>± ---</td> <td>± ---</td> </tr> <tr> <td>3 PLACES</td> <td>± ---</td> <td>± .010</td> </tr> <tr> <td>2 PLACES</td> <td>± 0.25</td> <td>± .015</td> </tr> <tr> <td>1 PLACE</td> <td>± 0.38</td> <td>± ---</td> </tr> <tr> <td>0 PLACE</td> <td>± ---</td> <td>± ---</td> </tr> </tbody> </table>			mm	INCH	4 PLACES	± ---	± ---	3 PLACES	± ---	± .010	2 PLACES	± 0.25	± .015	1 PLACE	± 0.38	± ---	0 PLACE	± ---	± ---	DRAWN BY DATE KSAMIEC 2013/07/30		TITLE EGDEIMATE CONNECTOR 3.96/.156 CENTER WITHOUT HOOKS <b>molex</b>		
		mm	INCH																						
	4 PLACES	± ---	± ---																						
	3 PLACES	± ---	± .010																						
2 PLACES	± 0.25	± .015																							
1 PLACE	± 0.38	± ---																							
0 PLACE	± ---	± ---																							
ANGULAR ± 1/2°		CHECKED BY DATE		APPROVED BY DATE JCOMERC I 2013/11/14																					
DRAFT WHERE APPLICABLE MUST REMAIN WITHIN DIMENSIONS		MATERIAL NO. <b>SEE CHART</b>		DOCUMENT NO. SD-172159-0000		SHEET NO. 1 OF 2																			
DIMENSION E REF. B6		SIZE B		THIS DRAWING CONTAINS INFORMATION THAT IS PROPRIETARY TO MOLEX INCORPORATED AND SHOULD NOT BE USED WITHOUT WRITTEN PERMISSION																					

10 9 8 7 6 5 4 3 2 1

172159-0003



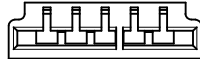
3 2 1 CIRCUITS



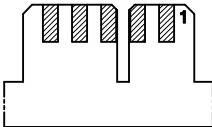
4.19  
.165  
MIN. THIS SIDE  
ONLY ON 3 CKT

2.79  
.110  
MAX.  
3 CKT ONLY  
SEE NOTE 8

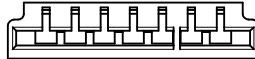
172159-0205



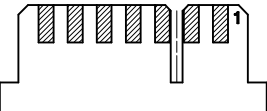
5 4 3 2 1 CIRCUITS



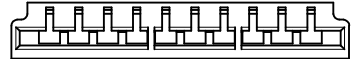
172159-0207



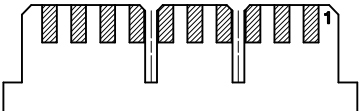
7 6 5 4 3 2 1 CIRCUITS



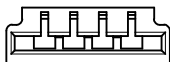
172159-0210



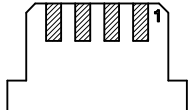
10 9 8 7 6 5 4 3 2 1 CIRCUITS



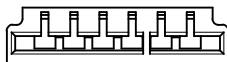
172159-0004



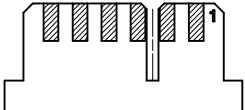
4 3 2 1 CIRCUITS



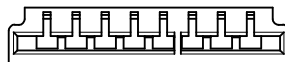
172159-0206



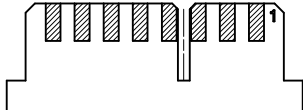
6 5 4 3 2 1 CIRCUITS



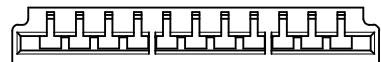
172159-0208



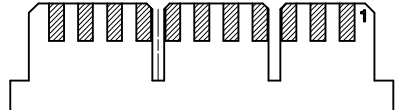
8 7 6 5 4 3 2 1 CIRCUITS



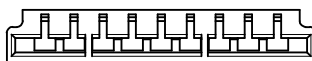
172159-0211



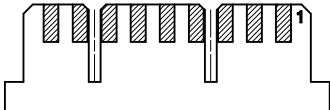
11 10 9 8 7 6 5 4 3 2 1 CIRCUITS



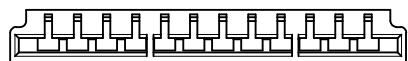
172159-0209



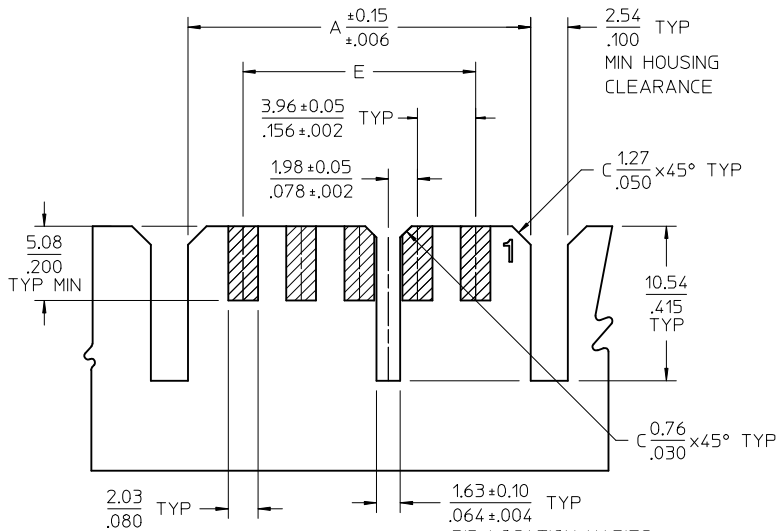
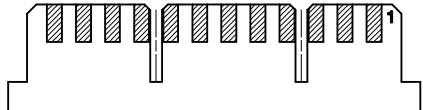
9 8 7 6 5 4 3 2 1 CIRCUITS



172159-0212



12 11 10 9 8 7 6 5 4 3 2 1 CIRCUITS



GENERIC PCB LAYOUT  
PCB THICKNESS: 1.57/.062

RIB LOCATION VARIES  
BY CKT SIZE SEE  
CHART FOR LOCATION

SEE SHEET 1	EC NO: UCP2015-4221	2015/02/11	DESCRIPTION
	DRW:MKIPPER	2015/02/11	
	CHKD:JBELL	2015/02/11	
	APPR:FSMITH	2015/04/16	
	B6		

GENERAL TOLERANCES  
(UNLESS SPECIFIED)

	mm	INCH
4 PLACES	± ---	± ---
3 PLACES	± ---	± .010
2 PLACES	± 0.25	± .015
1 PLACE	± 0.38	± ---
0 PLACE	± ---	± ---

ANGULAR ±1/2°  
DRAFT WHERE APPLICABLE  
MUST REMAIN  
WITHIN DIMENSIONS

DIMENSION STYLE  
MM/IN

DRAWN BY	DATE
KSAMIEC	2013/07/30
CHECKED BY	DATE
APPROVED BY	DATE
JCOMERC I	2013/11/14

MATERIAL NO.  
SEE CHART

SIZE  
B

SCALE  
1.5:1

DESIGN UNITS  
INCH

THIRD ANGLE  
PROJECTION

TITLE  
EGDEMATE CONNECTOR  
3.96/.156 CENTER  
WITHOUT HOOKS

**molex**

DOCUMENT NO.

SD-172159-0000

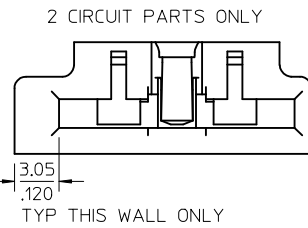
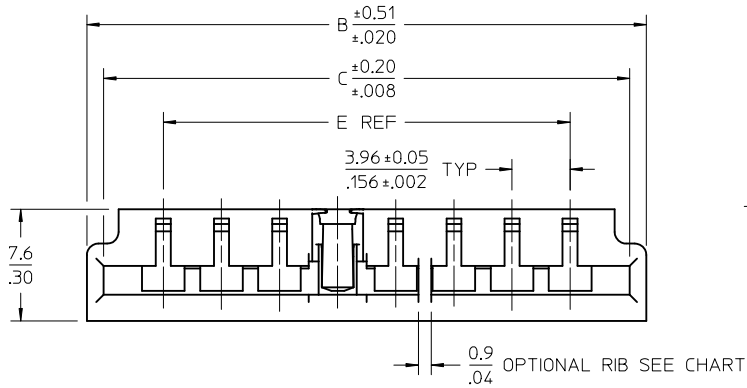
SHEET NO.

2 OF 2

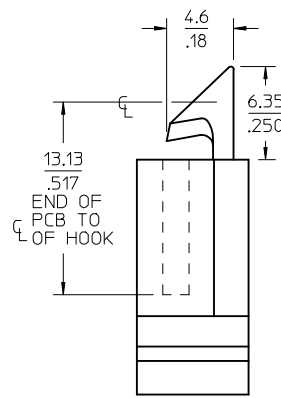
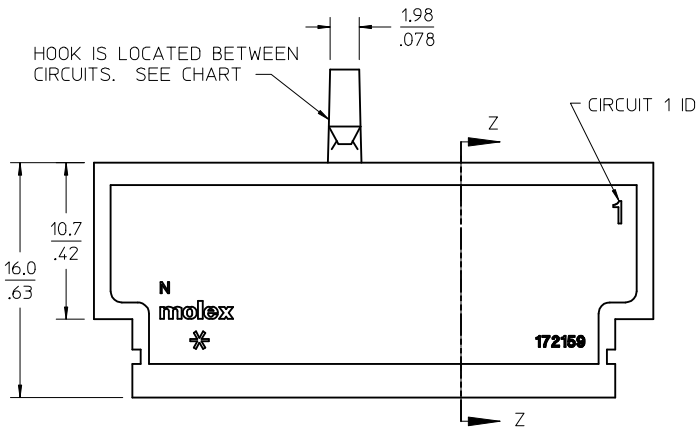
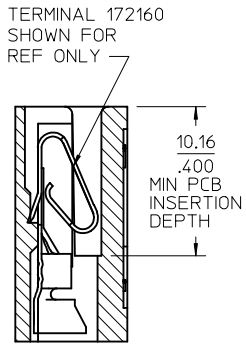
THIS DRAWING CONTAINS INFORMATION THAT IS PROPRIETARY TO MOLEX  
INCORPORATED AND SHOULD NOT BE USED WITHOUT WRITTEN PERMISSION

9 8 7 6 5 4 3 2 1

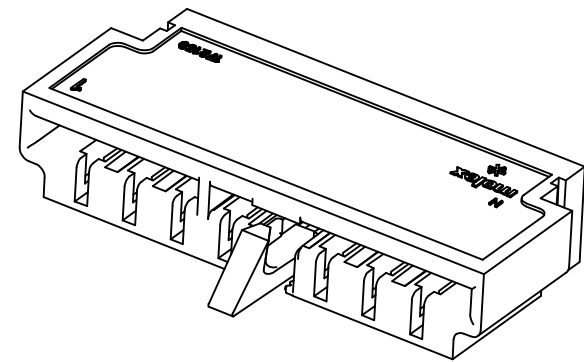
10 9 8 7 6 5 4 3 2 1



- NOTES:
1. MATERIAL: NYLON, UL 94V-2, WHITE
  2. FINISH: N/A
  3. PRODUCT SPECIFICATION: PS-172160-0001
  4. PACKAGING SPECIFICATION: PK-172159-0001
  5. COSMETIC SPEC: PS-45499-002 CLASS B
  6. HOUSING ACCEPTS TERMINAL: 172160
  7. THIS PART WITHOUT THE HOOK SEE SD-172159-0000
  8. DIMENSION TO BE 2.54-2.79/.100-.110 TO POLARIZE HOUSING AND PCB.



CKTS	MATERIAL NO	HOOK	POL RIB	DIM A	DIM B	DIM C	DIM E
02	172159-0502	1-2	N/A	$15.70$ .618	$20.24$ .797	$16.05$ .632	$7.92$ .312
03	172159-0503	1-2	N/A	$19.66$ .774	$22.30$ .878	$20.02$ .788	$11.89$ .468
04	172159-0604	3-4	2-3	$23.42$ .922	$26.26$ 1.034	$23.98$ .944	$15.85$ .624
05	172159-0605	3-4	2-3	$27.38$ 1.078	$30.23$ 1.190	$27.94$ 1.100	$19.81$ .780
06	172159-0606	3-4	2-3	$31.29$ 1.232	$34.19$ 1.346	$31.90$ 1.256	$23.77$ .936
07	172159-0607	4-5	3-4	$35.26$ 1.388	$38.15$ 1.502	$35.86$ 1.412	$27.74$ 1.092
08	172159-0608	4-5	3-4, 6-7	$39.22$ 1.544	$42.11$ 1.658	$39.83$ 1.568	$31.70$ 1.248
09	172159-0609	4-5	3-4, 5-6	$43.18$ 1.700	$46.08$ 1.814	$43.79$ 1.724	$35.66$ 1.404
10	172159-0610	4-5	3-4, 6-7	$47.09$ 1.854	$50.04$ 1.970	$47.75$ 1.880	$39.62$ 1.560
11	172159-0611	4-5	3-4, 7-8	$51.05$ 2.010	$54.00$ 2.126	$51.71$ 2.036	$43.59$ 1.716
12	172159-0612	5-6	3-4, 8-9	$54.97$ 2.164	$57.96$ 2.282	$55.68$ 2.192	$47.55$ 1.872



DIMENSION E REF.  
 EC NO: UCP2015-4221  
 DRW:MKIPPER 2015/02/11  
 CHKD:JBELL 2015/02/11  
 APPR:FSMITH 2015/04/16  
 REV B7

DESCRIPTION  
 DIMENSION E REF.

GENERAL TOLERANCES (UNLESS SPECIFIED)

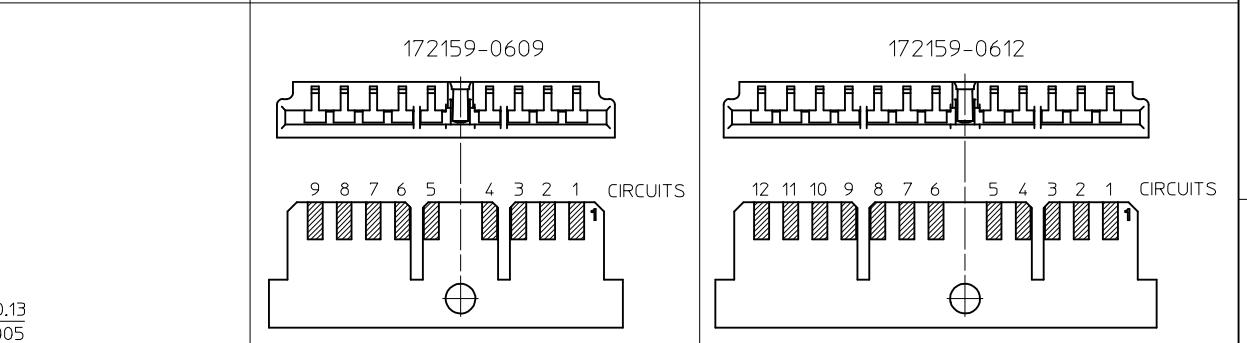
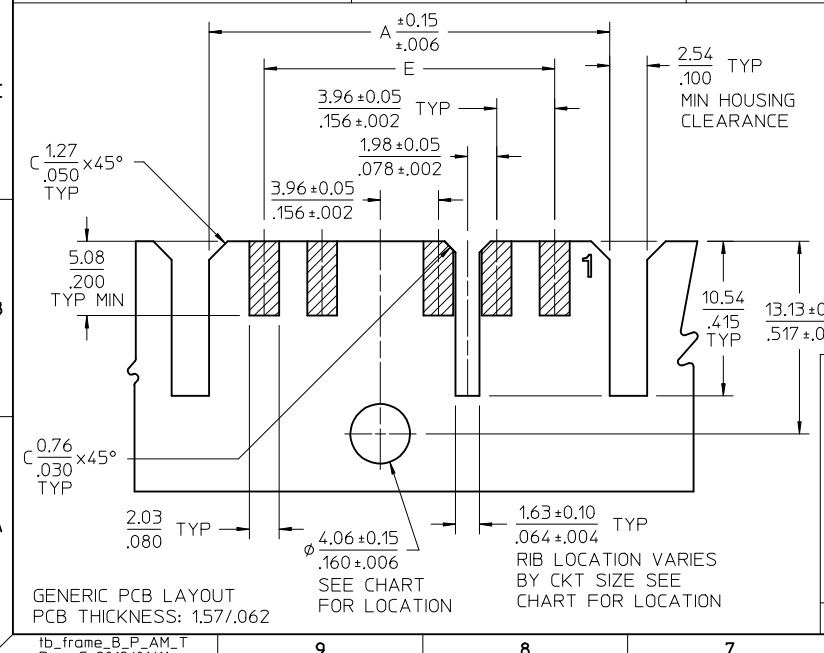
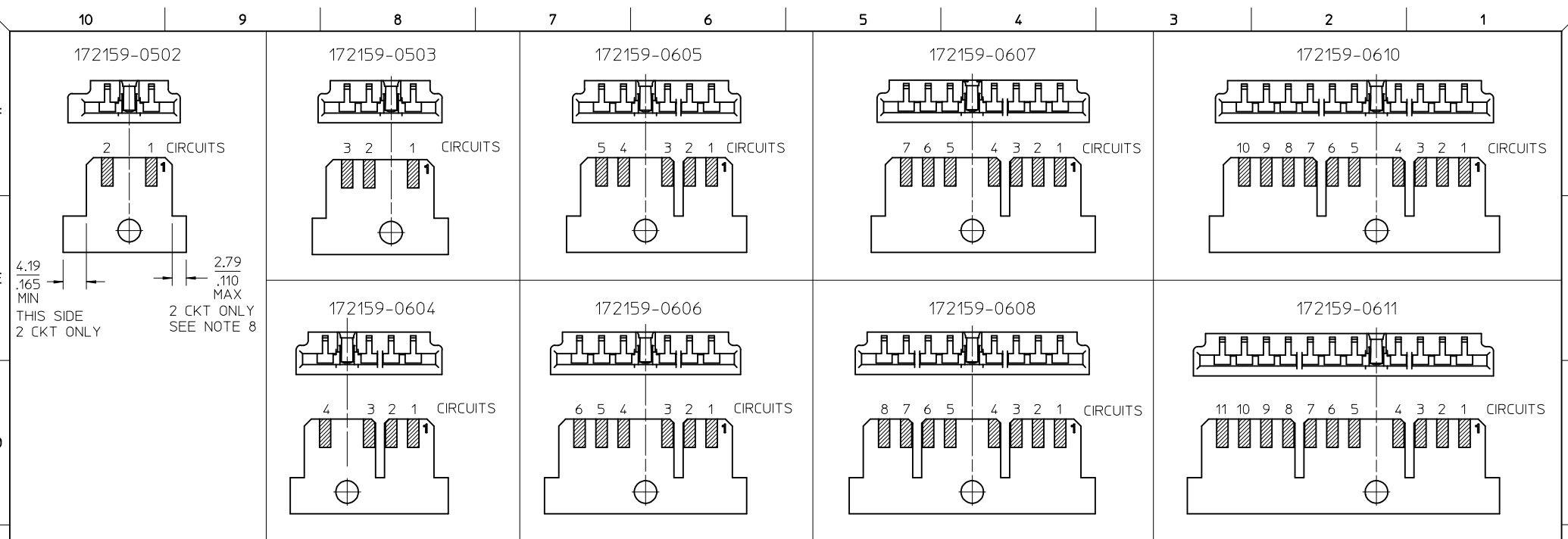
	mm	INCH
4 PLACES	$\pm$ ---	$\pm$ ---
3 PLACES	$\pm$ ---	$\pm$ .010
2 PLACES	$\pm$ 0.25	$\pm$ .015
1 PLACE	$\pm$ 0.38	$\pm$ ---
0 PLACE	$\pm$ ---	$\pm$ ---

ANGULAR  $\pm 1/2^\circ$   
 DRAFT WHERE APPLICABLE  
 MUST REMAIN  
 WITHIN DIMENSIONS

DIMENSION STYLE  
 MM/IN  
 DRAWN BY DATE  
 KSAMIEC 2014/05/05  
 CHECKED BY DATE  
 APPROVED BY DATE  
 JCOMERC I 2014/05/19  
 MATERIAL NO.  
 SEE CHART

SCALE  
 3:1  
 DESIGN UNITS  
 INCH  
 THIRD ANGLE  
 PROJECTION  
 EDGEMATE CONNECTOR  
 3.96/.156 CENTER  
 WITH HOOK  
**molex**  
 DOCUMENT NO.  
 SD-172159-0002  
 SHEET NO.  
 1 OF 2

9 8 7 6 5 4 3 2 1



<p><b>SEE SHEET 1</b></p> <p>EC NO: UCP2015-4221</p> <p>DRW:MKIPPER 2015/02/11</p> <p>CHKD:JBELL 2015/02/11</p> <p>APPR:FSMITH 2015/04/16</p> <p><b>B7</b></p>	<p>GENERAL TOLERANCES (UNLESS SPECIFIED)</p> <table border="1"> <thead> <tr> <th></th> <th>mm</th> <th>INCH</th> </tr> </thead> <tbody> <tr> <td>4 PLACES</td> <td>± ---</td> <td>± ---</td> </tr> <tr> <td>3 PLACES</td> <td>± ---</td> <td>± .010</td> </tr> <tr> <td>2 PLACES</td> <td>± 0.25</td> <td>± .015</td> </tr> <tr> <td>1 PLACE</td> <td>± 0.38</td> <td>± ---</td> </tr> <tr> <td>0 PLACE</td> <td>± ---</td> <td>± ---</td> </tr> </tbody> </table>			mm	INCH	4 PLACES	± ---	± ---	3 PLACES	± ---	± .010	2 PLACES	± 0.25	± .015	1 PLACE	± 0.38	± ---	0 PLACE	± ---	± ---	<p>DIMENSION STYLE</p> <p><b>MM/IN</b></p>		<p>SCALE</p> <p><b>1.5:1</b></p>	<p>DESIGN UNITS</p> <p><b>INCH</b></p>	<p>THIRD ANGLE PROJECTION</p>
		mm	INCH																						
	4 PLACES	± ---	± ---																						
	3 PLACES	± ---	± .010																						
2 PLACES	± 0.25	± .015																							
1 PLACE	± 0.38	± ---																							
0 PLACE	± ---	± ---																							
<p>ANGULAR ±1/2°</p>		<p>DRAFT WHERE APPLICABLE MUST REMAIN WITHIN DIMENSIONS</p>		<p>TITLE</p> <p><b>EDGEMATE CONNECTOR</b></p> <p><b>3.96/.156 CENTER WITH HOOK</b></p>		<p>DOCUMENT NO.</p> <p><b>SD-172159-0002</b></p>																			
<p>MATERIAL NO.</p>		<p>APPROVED BY</p> <p>JCOMERC I 2014/05/19</p>		<p>DATE</p> <p>2014/05/05</p>			<p>SHEET NO.</p> <p><b>2 OF 2</b></p>																		
<p>SIZE</p> <p><b>B</b></p>				<p>THIS DRAWING CONTAINS INFORMATION THAT IS PROPRIETARY TO MOLEX INCORPORATED AND SHOULD NOT BE USED WITHOUT WRITTEN PERMISSION</p>																					