

Voltage selector switch, 2 stages, serie-parallel, panel mounting



### Description

- Voltage Selector, 2 stages
- Series-parallel connections
- Solder terminals

### Standards

- IEC 61058-2-5
- UL 508
- CSA C22.2 no. 55

### References

Alternative: version for PCB mounting [SWA2 \(Print\)](#)

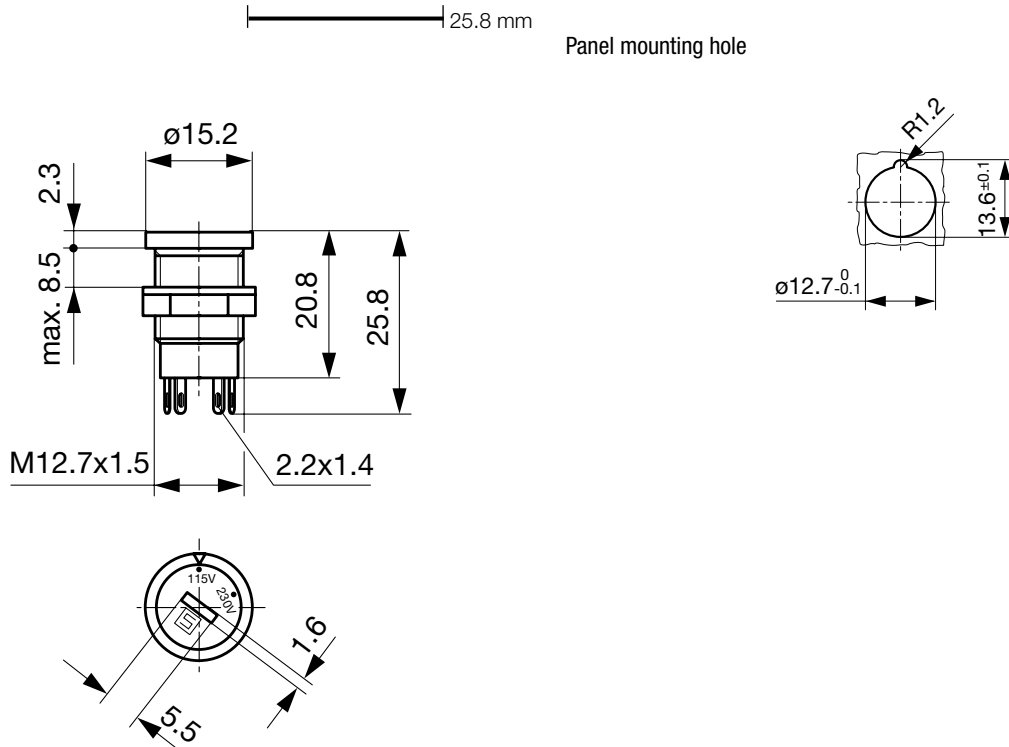
### Weblinks

[pdf-datasheet](#), [html-datasheet](#), [General Product Information](#), [Approvals](#), [CE declaration of conformity](#), [RoHS](#), [CHINA-RoHS](#), [REACH](#), [e-Shop](#), [SCHURTER-Stock-Check](#), [Distributor-Stock-Check](#), [CAD-Drawings](#), [Detailed request for product](#)

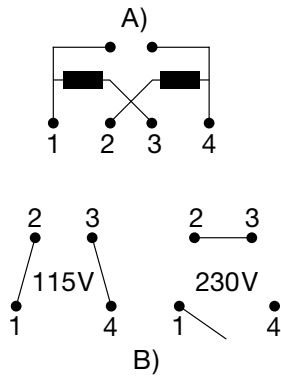
### Technical Data

Ratings	IEC: 6.3 A / 250 VAC; 50 Hz UL: 6.3 A / 250 VAC; 60 Hz CSA: 6.3 A / 250 VAC; 60 Hz	Solderability	350 °C / 2 sec acc. to IEC 60068-2-20, Test Ta, method 2
Mounting	Panel Mount from front side	Resistance to Soldering Heat	350 °C / 10 sec acc. to IEC 60068-2-20, Test Tb, method 2
Fastening	Screw-on mounting	Insulation Resistance	> 10'000M $\Omega$ (500VDC; 1min)
Terminal	Solder	Contact Resistance	< 10 m $\Omega$ at 20 mV
Number of Stages	2	Dielectric Strength	> 2kVAC between L-N > 4kVAC between L/N-PE (1min; 50Hz)
Lifetime	300 operating cycles (without load)	Clearance and Creepage Distance	> 3mm > 8mm between L/N-PE
Degree of Protection	IP 40	Resistance to Vibration	acc. to IEC 60068-2-6, test Fc
Protection Class	Suitable for appliances with protection class II acc. to IEC 61140	Panel Thickness s	max 8.5 mm
Allowable Operation Temp.	-40 °C to 85 °C		
Climatic Category	25/85/21 acc. to IEC 60068-1		
Material: Socket	Thermoplastic, black, UL 94V-0		
Weight	3.9 g		

## Dimension



## Diagrams



A) Power mains

B) Internal contact arrangement for series-parallel connection

## All Variants

Letterings		Order Number
Stage 1	Stufe 2	
110	220	0033.4501
115	220	0033.4502
120	240	0033.4503
115	230	0033.4504
220	240	0033.4505
50 Hz	60 Hz	0033.4508
230	240	0033.4510
LO	HI	0033.4513
		0033.4514
120	230	0033.4515
0	1	0033.4518
A	B	0033.4521

---

Letterings		Order Number
Stage 1	Stufe 2	
TEST	RUN	0033.4524

---

Most Popular.

Availability for all products can be searched real-time:  
<http://www.schurter.com/en/Stock-Check/Stock-Check-SCHURTER>

---

**Packaging Unit**      100 Pcs

---