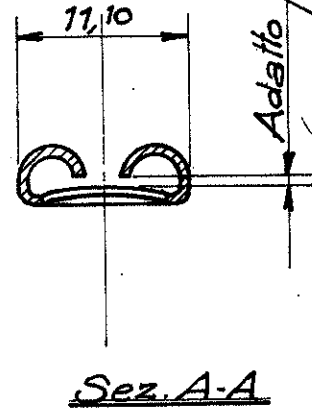
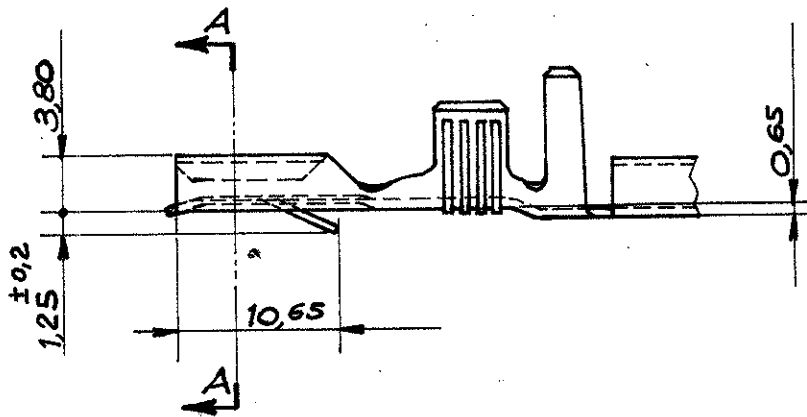
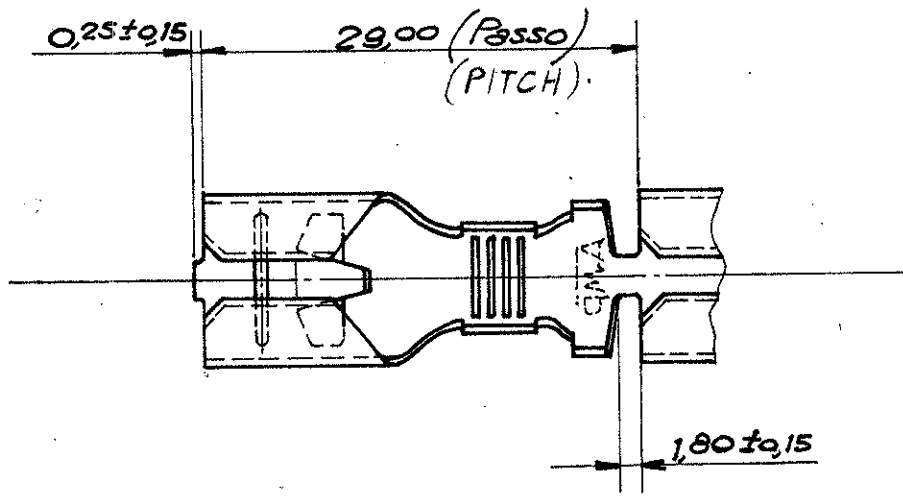


NUMBER  
280755



Adatto per linguetta sp. 1,20  
(TO FIT 1,20 mm TAB THK)

1 OBSOLETE PARTS: OBSOLETE CIS STREAMLINING PER D.RENAUD/D.SINISI

280755-4	BRONZO FOSF. STAGH. (TIN PL. PH. BR.)	
280755-3	BRONZO FOSF. (PHOSPH. BRONZE)	OBSOLETE 1
280755-2	OTTONE STAGNATO (TIN PL. BRASS)	
280755-1	OTTONE (BRASS)	OBSOLETE
NUMERO (PART. N.)	MAT./FINITURA (MAT./FINISH)	

PROIEZIONE AMERICANA  
(AMERICAN PROJECTION)

DIMENSIONS IN MM. DO NOT SCALE PRINT

© 1976 BY AMP INCORPORATED. ALL RIGHTS RESERVED. AMP PRODUCTS COVERED BY PATENTS AND OR PATENTS PENDING

CUSTOMER COPY  
REFERENCE ONLY

MATERIAL AND FINISH

VEDERE TABELLA  
(SEE TABLE)



AMP ITALIA  
VIA CERVI 15  
COLLENO (TORINO)

B1	REVISED PER ECO-09-022178	KK	AEG	22SEP09
B	DIM. 1,25 ± 0,2 NAS 1,40			16/11/82
A	IN PRODUZIONE			29/12/76
1	P/N ERA IA-76-520B			20/7/76
LTR	REVISION RECORD	DR	CHK	DATE

WIRE RANGE INSULATION TYPE

6 ÷ 10 mm<sup>2</sup> | φ 5 ÷ 7 mm

TOLERANCE EXCEPT AS NOTED

± 0,3 - 10 °

SCALE

2:1

LOC

I A

NO

280755

R1

B1

DR: Sopper JULY 1976  
DE: [Signature] 29/24/76

.375 SERIES FASTIN-FASTON RECEPTACLE