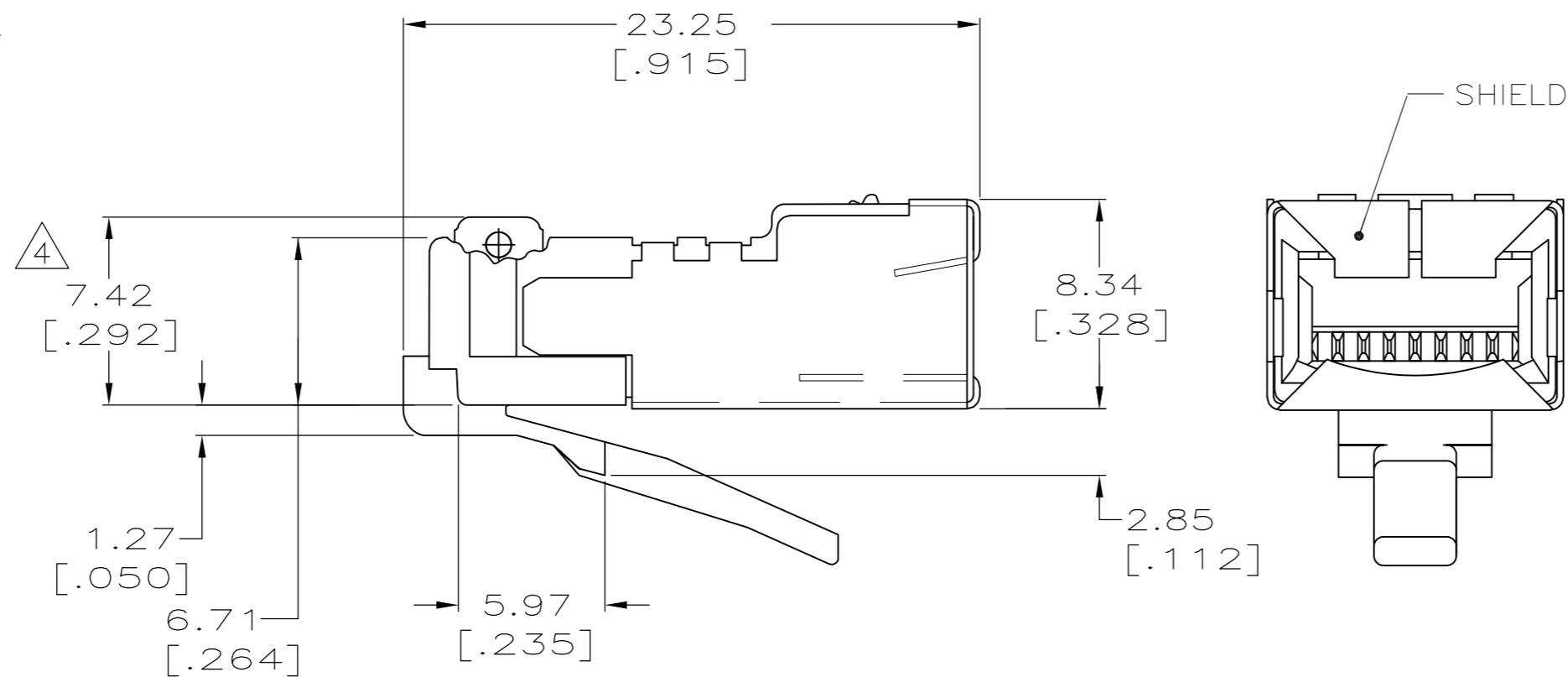
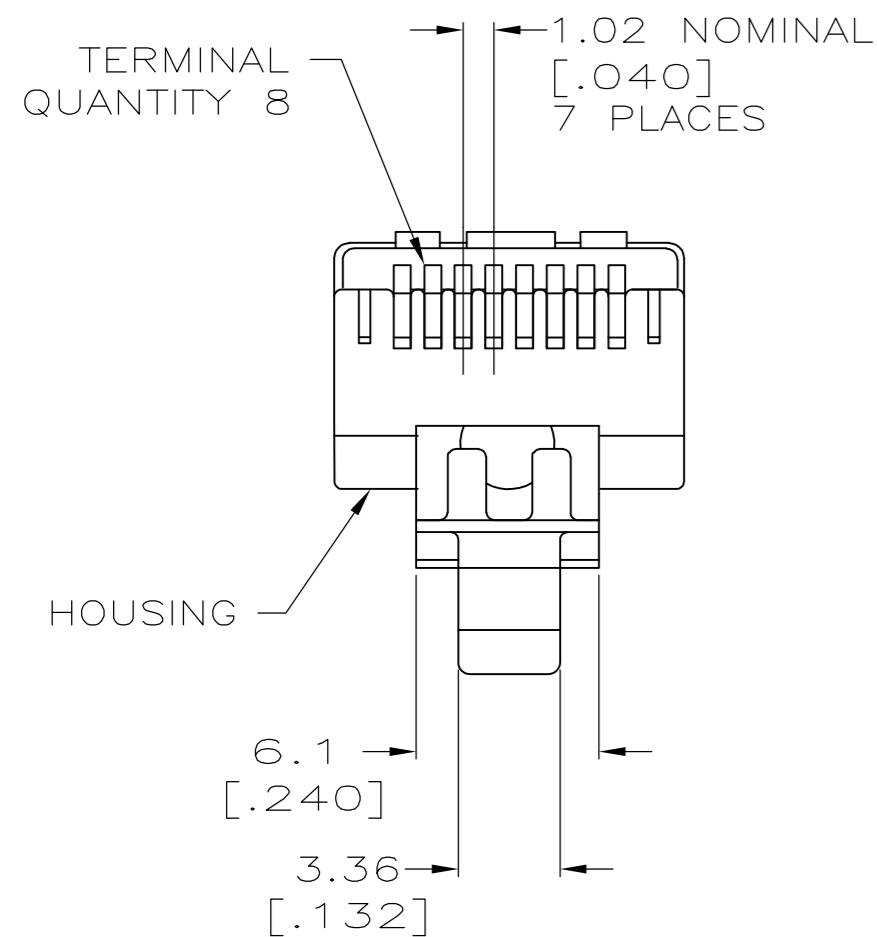
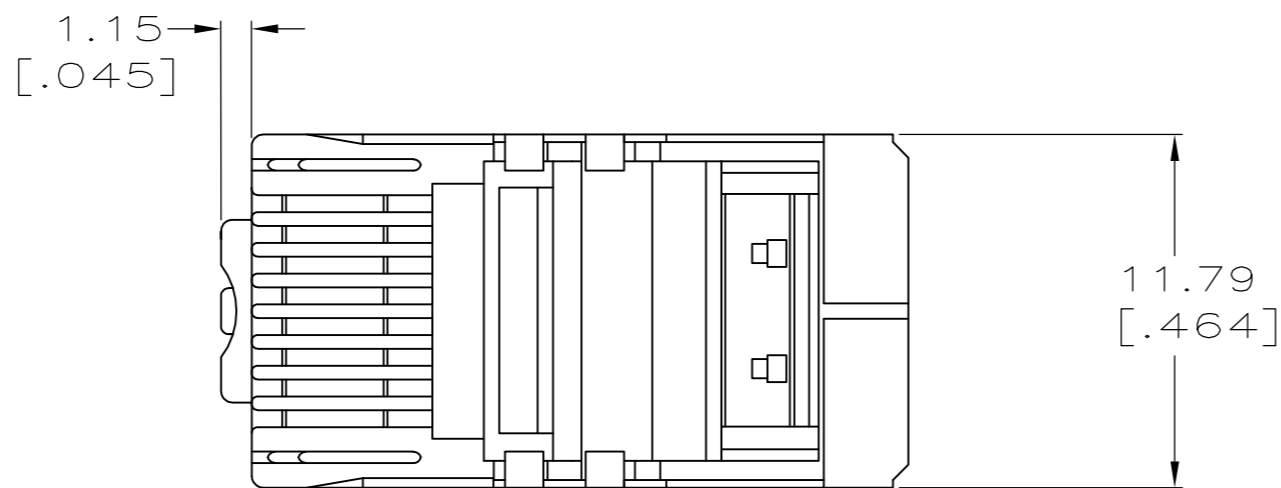


THIS DRAWING IS UNPUBLISHED. RELEASED FOR PUBLICATION
 © COPYRIGHT - By - ALL RIGHTS RESERVED.

LOC	DIST	REVISIONS			
P	LTR	DESCRIPTION	DATE	DWN	APVD
HM	00	H	REV PER ECO-14-004548	26MAR2014	GG JG

- 1 DIMENSIONS ARE MAXIMUM UNLESS OTHERWISE SPECIFIED.
- 2 MATERIAL: HOUSING - POLYCARBONATE, CLEAR
 TERMINAL - .36 [.014] THICK PHOSPHOR BRONZE PLATED WITH .178 μ m[.000007] THICK GOLD IN LOCALIZED PLATE AREA, OVER .762 μ m[.000030] THICK PALLADIUM NICKEL IN LOCALIZED PLATE AREA OVER 2.54 μ m[.000100] THICK NICKEL ON ENTIRE CONTACT.
 SHIELD - COPPER ALLOY WITH 1.27 μ m[.000050] MINIMUM SEMI-BRIGHT (SATIN) NICKEL.
- 3. PLUG WILL ACCEPT 24 TO 28 AWG STRANDED WIRE, 0.74-0.99 [.029-.039] DIAMETER, WITH A 5.08 [.200] DIAMETER MAXIMUM JACKET.
- 4 TERMINATED DIMENSION 6.15 [.242] MAXIMUM.
- 5 500 ASSEMBLIES PER PACKAGE.
- 6 100 ASSEMBLIES PER PACKAGE.
- 8 SEE RESTRICTED CUSTOMER DRAWING 5-569532-5.
- 9 PACKAGED 10,000 ASSEMBLIES PER POLYBAG.



	8	5-569532-5
6		5-569532-3
	5	5-569532-2
9		5-569532-1
PACKAGED		PART NUMBER

THIS DRAWING IS A CONTROLLED DOCUMENT.		DWN	L. HALL	25OCT2006		TE Connectivity			
DIMENSIONS: mm [INCHES]		CHK	C. DOOLEY	30OCT2006		MODULAR PLUG ASSEMBLY, 8 POSITION, SHIELDED, ROUND CABLE, STRANDED WIRE			
TOLERANCES UNLESS OTHERWISE SPECIFIED:		APVD	C. DOOLEY	30OCT2006		SIZE	CAGE CODE	DRAWING NO	RESTRICTED TO
0 PLC ± - 1 PLC ± - 2 PLC ± - 3 PLC ± - 4 PLC ± - ANGLES ± - FINISH ± -		PRODUCT SPEC 108-1163 APPLICATION SPEC 114-6016		A2		00779	C=569532	-	
MATERIAL		CUSTOMER DRAWING		WEIGHT	SCALE		SHEET		REV
				-	4:1		1 of 1		H