

Multi-axis modular linear robots

Linear robot for vertical applications

Flat linear robot for predefined surfaces

Room linear robots for three dimensional applications

Pre-assembled linear robots from stock

Individual solutions



Multi axis linear robot adapter kit

Lubrication-free drylin® W
profile guides

Drive: lead screw,
toothed belt or rack

Accessories included

drylin® drive units
with defined
stroke lengths

Ready to install with
NEMA stepper motors

Machine reliability
with encoder

Linear robots combine several linear axes in order to implement a predefined multidimensional movement. Our drylin® linear robots are based on proven Tribo technology, i.e. all systems use sliding, self-lubricating linear units, a fact that enables operation without external lubrication over the entire service life. Typical areas of use are pick&place automation, measuring and testing automation, assembly handling, marking and labelling devices, handling tasks in low-cost automation and autonomous assembly cells.

- Maintenance-free, dry operation
- Quiet operation
- Resistance to dust and dirt
- Corrosion-free
- Standard product range available in within 24 h
- Free consultation and installation at your premises

Typical application areas

- Pick and place
- Measurement and testing
- Labelling technology
- Component marking
- Assembly cells
- Sorting machines
- Safety systems



Available from stock

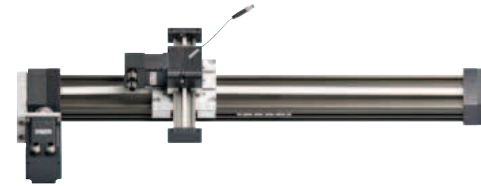
Detailed information about delivery time online.



Block pricing online

No minimum order value. From batch size 1.

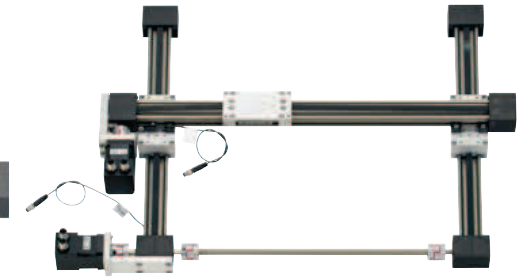
Ready-to-install linear robots available from stock in 24h



Linear robot

- Ready-to-use modular kit with cantilever axis
- Easy installation
- Proximity switch mounting by means of T groove along the entire length of the section

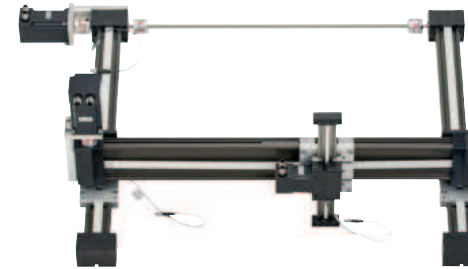
► From page 1292



Flat linear robot

- Using drylin® linear axis ZLW-0630
- NEMA17 stepper motors, assembled and tested
- Increased machine reliability with encoder

► From page 1293



Room linear robot

- Using drylin® linear axes ZLW-1040, ZLW-1080 and GRW-0630
- NEMA17/23 stepper motors, assembled and tested
- Increased machine reliability with encoder

► From page 1294

drylin® E | Multi-axis linear robots | Product range

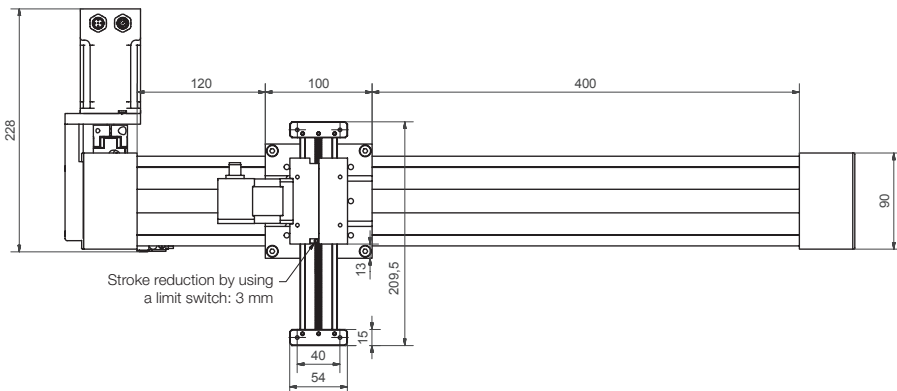
Linear robot – for vertical working planes



- **X-axis:** drylin® GRW-0630 rack drive with NEMA17 stepper motor with encoder
- **Y-axis:** drylin® ZLW-1080 toothed belt axis with NEMA23 stepper motor with encoder
- Proximity switches available

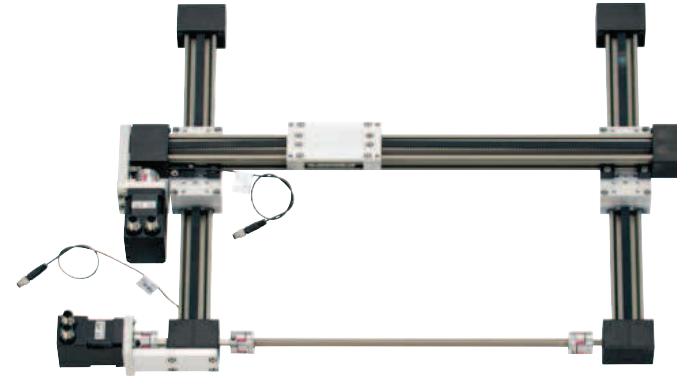
Technical data
Workspace: 500 x 100 mm
Max. speed: 1.0 m/s
Max. acceleration: 3.0 m/s²
Repeatability: 0.2 mm
Load capacity: 10 N

 **Part No.**
DLE-LG-0001



drylin® E | Multi-axis linear robots | Product range

Flat linear robot – for predefined surfaces

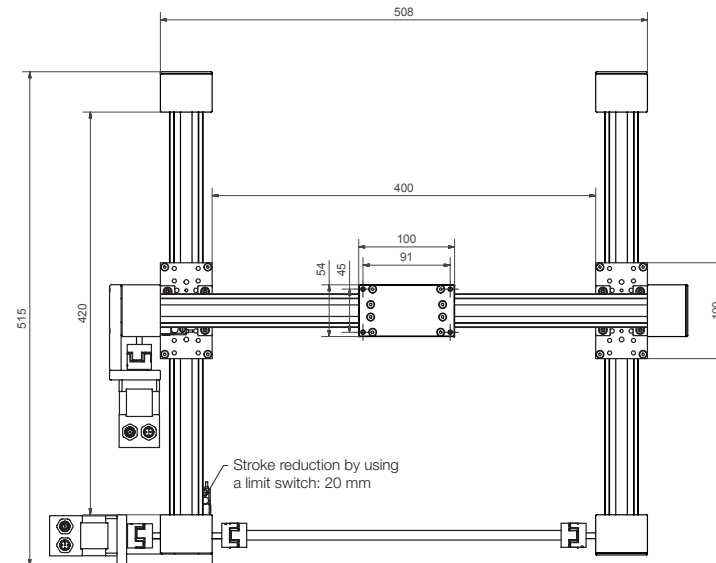


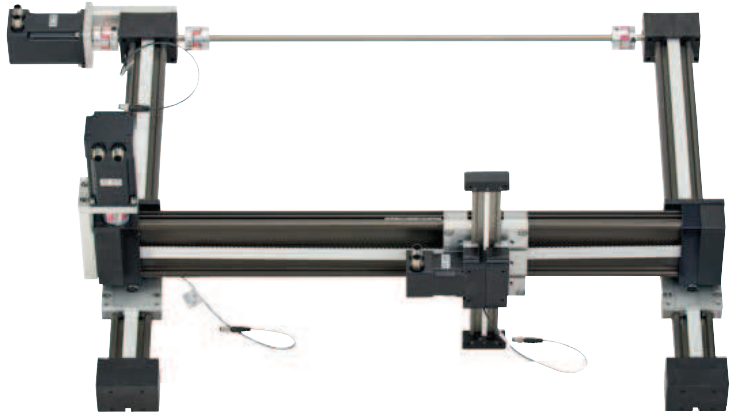
- DLE-FG-0001**
- **X-axis:** drylin® ZLW-0630 toothed belt axis with NEMA17 stepper motor with encoder
 - **Y-axis:** drylin® ZLW-0630 toothed belt axis with NEMA17 stepper motor with encoder
 - Proximity switches available

Technical data
Workspace: 300 x 300 mm
Max. speed: 1.5 m/s
Max. acceleration: 10 m/s²
Repeatability: 0.3 mm
Load capacity: 80 N

 **Part No.**
DLE-FG-0001 version with encoder
DLE-FG-0002 version with stranded wire

- DLE-FG-0002**
- **X-axis:** drylin® ZLW-0630 toothed belt axis with NEMA17 stepper motor with stranded wire
 - **Y-axis:** drylin® ZLW-0630 toothed belt axis with NEMA17 stepper motor with stranded wire
 - Proximity switches available





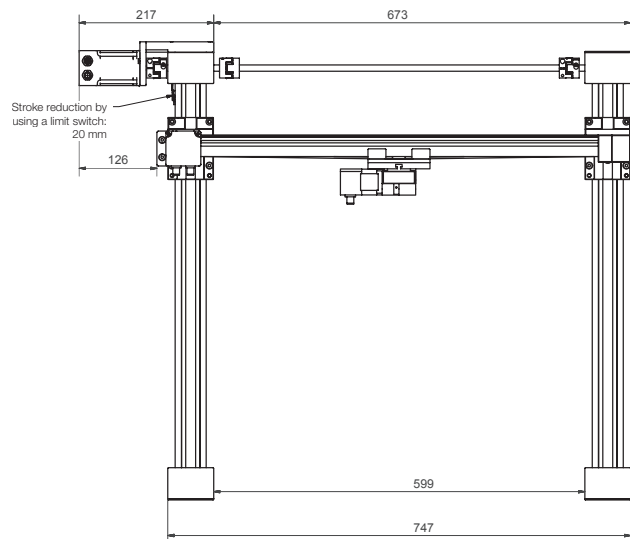
- **X-axis:** drylin® ZLW-1040 toothed belt axis with NEMA23 stepper motor with encoder
- **Y-axis:** drylin® ZLW-1080 toothed belt axis with NEMA23 stepper motor with encoder
- **Z-axis:** drylin® GRW cantilever axis with rack drive and NEMA17 stepper motor with encoder

Technical data

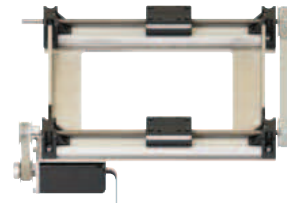
Workspace:	500 x 500 x 100 mm
Max. speed:	0.5 m/s
Max. acceleration:	1.5 m/s ²
Repeatability:	0.8 mm
Load capacity:	10 N



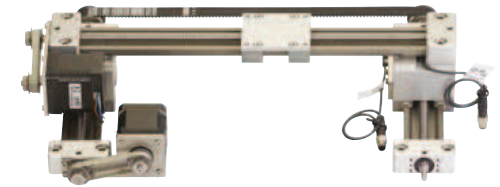
Part No.
DLE-RG-0001



Examples of small-sized multi-axis linear robots

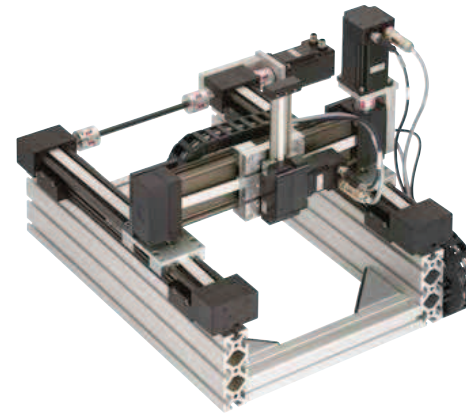


- Smallest applications
- Direct mounting on support plate
- 100% tested
- Installation height from 30 mm

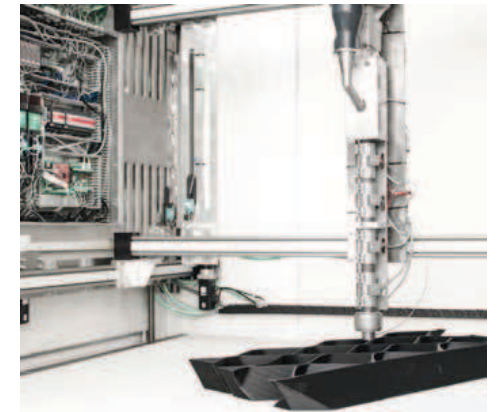


- Cost saving due to parallel synchronisation
- Extremely small and compact
- Repeatabilities up to 0.05 mm

Examples for pre-assembled multi-axis linear robots



- Outsourcing of engineering costs
- Everything from one source
- Completely ready-to-fit
- Gripper and camera directly adaptable



- Delivery in modules
- Design integration into your machine
- Combination with robolink® joint automation



Available on request

Detailed information about delivery time online.



Customised linear robot request

► www.igus.co.uk/linear-robot-re-