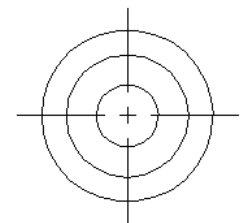
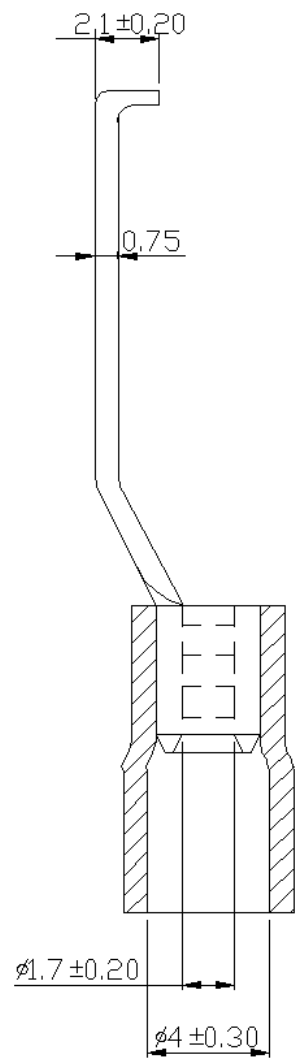
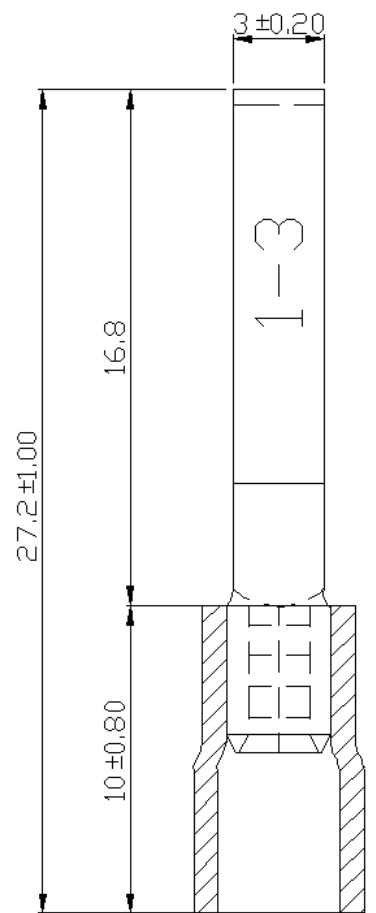


A B C D E F G H

REV	DESCRIPTION	DATE
-----	-------------	------



NOTE :

1. MAXIMUM ELECTRIC CURRENT :

A.W.G.	22	20	18	16
AMP.	9	12	17	18
2. MAXMUM ELECTRICAL RATING : 75°C 600 VOLTS MAX.
3. INSULATION MATERIAL : VINYL
4. INSULATION COLOR : RED
5. TERMINAL MATERIAL : COPPER
6. WIRE RANGE : 22-16 A.W.G. (0.5-1.5 mm²)
7. ERMINALS SURFACE TREATMENT : TIN PLATED

Tolerance Unless Otherwise Specified	
0 > 6 mm ± 0.20	ANGLE
6 > 18 mm ± 0.30	0° > ° REF ±
18 > 30 mm ± 0.40	° > ° ±
30 > 75 mm ± 0.50	° > ° ±



NAME	VINYL-INSULATED LIPPED BLADE TERMINALS			UNIT	mm	
PART NO.	LBV1-3@	MATERIAL	-----	APPROVE	张馨尹	
NUMBER	KA-95131-C	SCALE	SHEET PAGE	CHECKED	林晖	
DATE	2006/03/23	4/1	1-0 20F2	DRAWN	张馨尹	

A B C D E F G H