

FEATURES AND SPECIFICATIONS

Features and Benefits

- Polarizing side posts and PCB pegs
- Stamped contacts with in-line, flat blades
- 2 points of contact with female terminal
- Rigid, staggered solder tails
- Friction lock
- Tube option packaging for robotic delivery, contact factory for part numbers

Reference Information

Product Specification: PS-99020-0011

Packaging: Bag or tube

UL File No.: E29179

CSA File No.: LR19980-181

Mates With: 90327

Designed In: Millimeters

Electrical

Voltage: 250V

Current: 1.2A

Contact Resistance: 15mΩ max.

Dielectric Withstanding Voltage: 750V rms

Insulation Resistance: 1000 MΩ min.

Mechanical

Contact Retention to Housing: 7N

Mating Force: 1.7N Tin/Lead and 1.1N Gold

Unmating Force: 0.25N Tin/Lead and 0.25N Gold

Durability: 30 cycles max. Tin/Lead and 100 cycles max.

Gold (using extraction tool)

Physical

Housing: Black, 15% glass-filled polyester, UL 94V-0

Contact: Brass

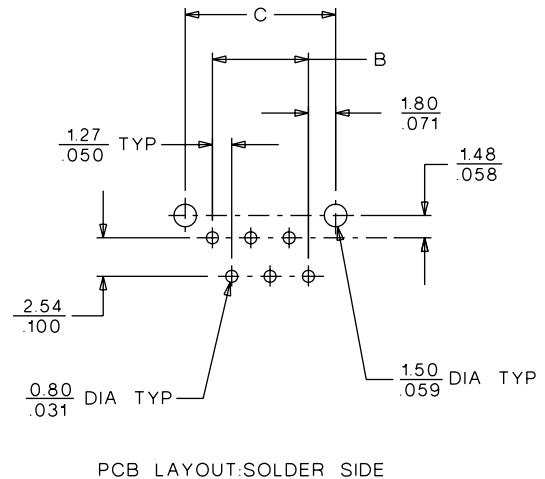
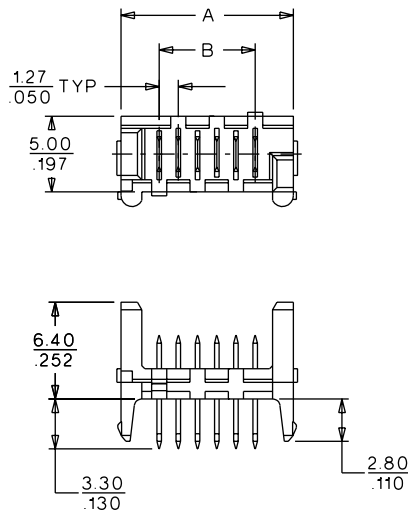
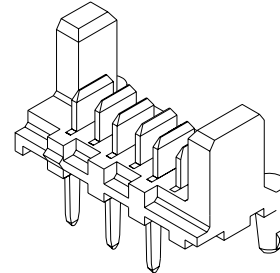
Plating: See Table

Temperature: -40 to +105°C

molex® 1.27mm (.050") Pitch Picoflex™ PF-50 Header

90325

Low Profile



ORDERING INFORMATION AND DIMENSIONS

Circuits	Order No.		Dimension		
	Plating 1	Plating 2	A	B	C
4	90325-0004	90325-3004	8.86 (.349)	3.81 (.150)	7.41 (.292)
6	90325-0006	90325-3006	11.40 (.449)	6.35 (.250)	9.95 (.392)
8	90325-0008	90325-3008	13.94 (.549)	8.89 (.350)	12.49 (.492)
10	90325-0010	90325-3010	16.48 (.649)	11.43 (.450)	15.03 (.592)
12	90325-0012	90325-3012	19.02 (.749)	13.97 (.550)	17.57 (.692)
14	90325-0014	90325-3014	21.56 (.849)	16.51 (.650)	20.11 (.792)
16	90325-0016	90325-3016	24.10 (.949)	19.05 (.750)	22.65 (.892)
18	90325-0018	90325-3018	26.64 (1.049)	21.59 (.850)	25.19 (.992)
20	90325-0020	90325-3020	29.18 (1.149)	24.13 (.950)	27.73 (1.092)
26	90325-0026	90325-3026	36.80 (1.448)	31.75 (1.249)	35.35 (1.391)

Plating 1: 4-6µm (160-240µ") Tin/Lead

Plating 2: 0.76µm (30µ") Select Gold