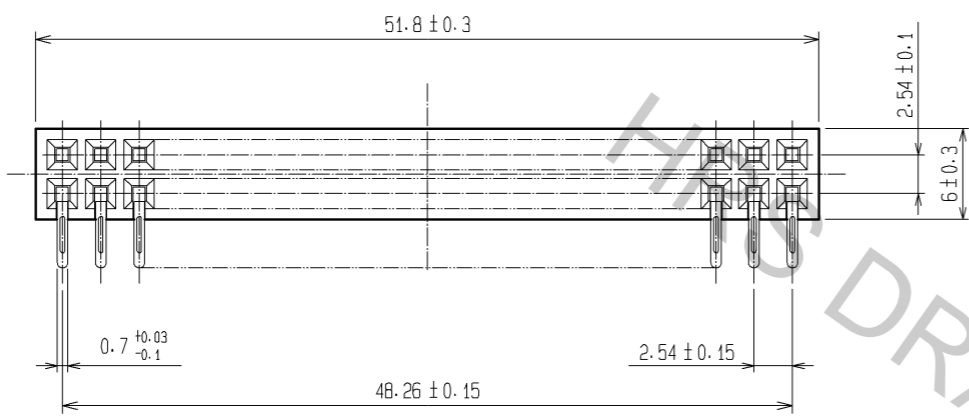
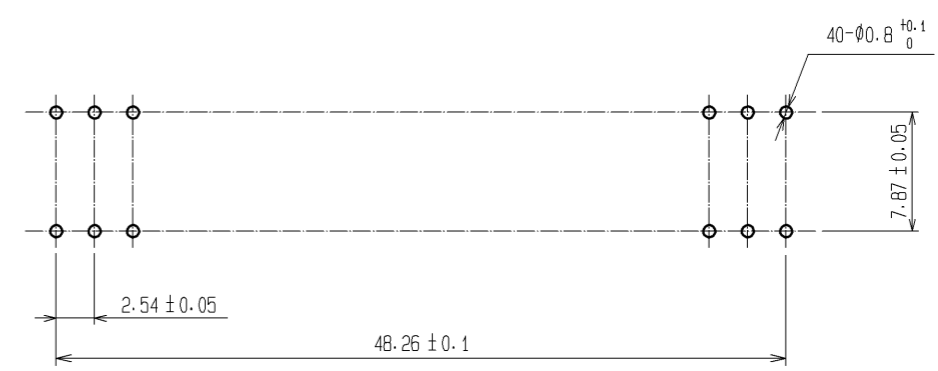


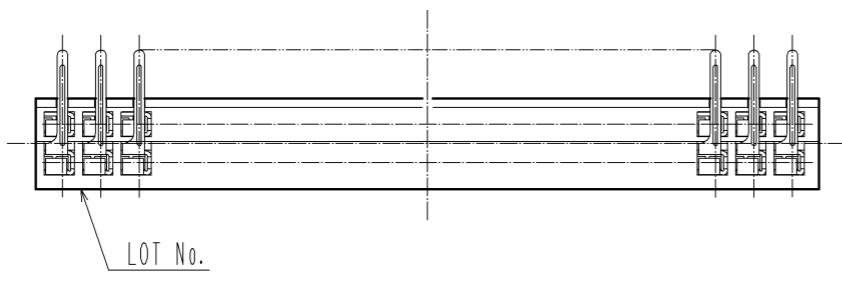
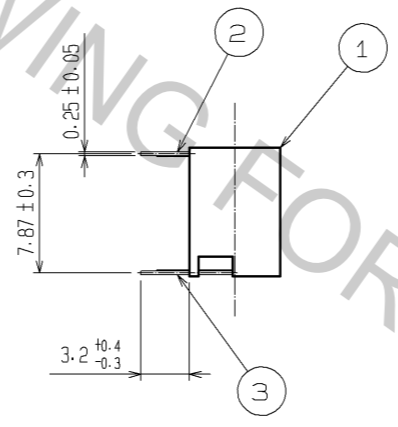
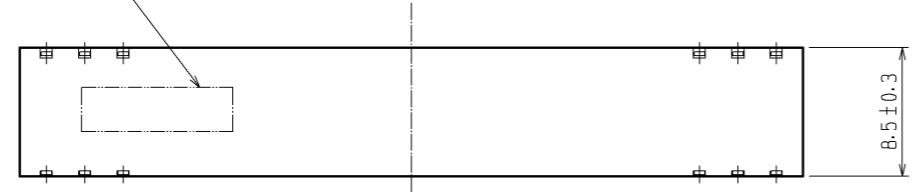
Nov.1.2016 Copyright 2016 HIROSE ELECTRIC CO., LTD. All Rights Reserved.



RECOMMENDED PC BOARD HOLE PATTERN



LOT No. MARKING(REVERSE SIDE)



NOTE 1. THE CONTACT CUT SECTION IS UNPLATED.

1	PBT	BLACK (UL94V-0)	2, 3	PHOSPHOR BRONZE	CONTACT AREA:GOLD 0.2μm min. DIP AREA:TIN-PLATING 1μm min. UNDER PLATING:NICKEL 1μm min.		
NO.	MATERIAL	FINISH . REMARKS	NO.	MATERIAL	FINISH . REMARKS		
UNITS mm		SCALE 2 : 1	COUNT 	DESCRIPTION OF REVISIONS	DESIGNED	CHECKED	DATE
HRS HIROSE ELECTRIC CO., LTD.		APPROVED : HS. OKAWA	07.08.23	DRAWING NO.	EDC3-018037-21		
		CHECED : HS. OZAWA	07.08.23	PART NO.	HIF3H-40DB-2.54DS(71)		
		DESIGNED : KY. NAKAMURA	07.08.23	CODE NO.	CL618-0147-6-71		
		DRAWN : KY. NAKAMURA	07.08.23				