

Front plate - SI-FP-R1A-D1E

1404500

<https://www.phoenixcontact.com/gb/products/1404500>



Please be informed that the data shown in this PDF document is generated from our Online Catalog. Please find the complete data in the user documentation. Our General Terms of Use for Downloads are valid.



Front plate with contact inserts, plastic, 1 x RJ45, 8-pos. metal, CAT5e (socket/socket), 1 x D-SUB 9 blind cover

Front plate - SI-FP-R1A-D1E



1404500

<https://www.phoenixcontact.com/gb/products/1404500>

Commercial Data

Item number	1404500
Packing unit	1 pc
Minimum order quantity	1 pc
Sales Key	BF7EDX
Product Key	BF7EDX
Catalog Page	Page 709 (C-2-2019)
GTIN	4046356698429
Weight per Piece (including packing)	32.9 g
Weight per Piece (excluding packing)	22.22 g
Customs tariff number	85366990
Country of origin	DE

Front plate - SI-FP-R1A-D1E

1404500

<https://www.phoenixcontact.com/gb/products/1404500>

Technical Data

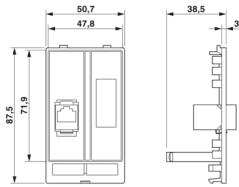
Product properties

Product type	Data front plate
Number of positions	8

Electrical properties

Rated voltage (III/3)	max. 42.4 V DC (RJ45, UL rating)
	max. 30 V AC (RJ45, UL rating)
Rated current	max. 175 mA (RJ45, UL rating)

Dimensions

Dimensional drawing	
Width	50.7 mm
Height	87.5 mm
Depth	40 mm

Material specifications

Color	gray
Material	PBT (Front plate)

Connector

Contact insert design	with 1x RJ45 Socket/socket, snap-in slot locking
	with 1x D-SUB 9

Environmental and real-life conditions

Ambient conditions

Degree of protection	IP20
Ambient temperature (operation)	-10 °C ... 60 °C

Mounting

Assembly instructions	suitable for all mounting frames
-----------------------	----------------------------------

Front plate - SI-FP-R1A-D1E

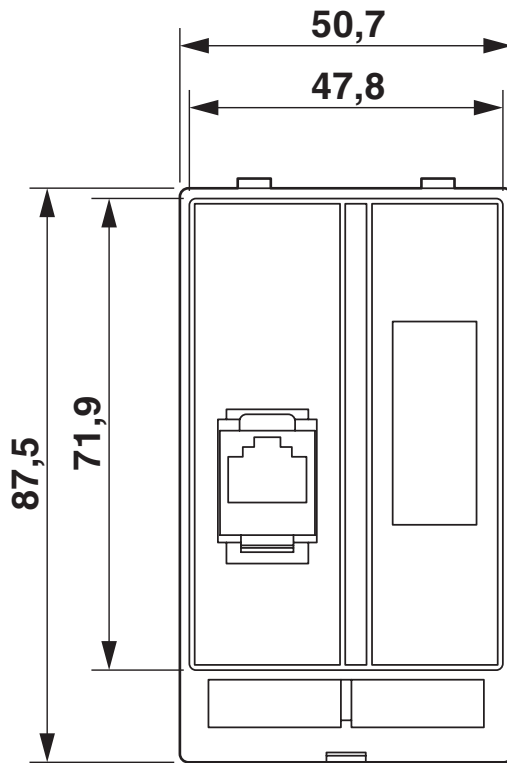
1404500

<https://www.phoenixcontact.com/gb/products/1404500>

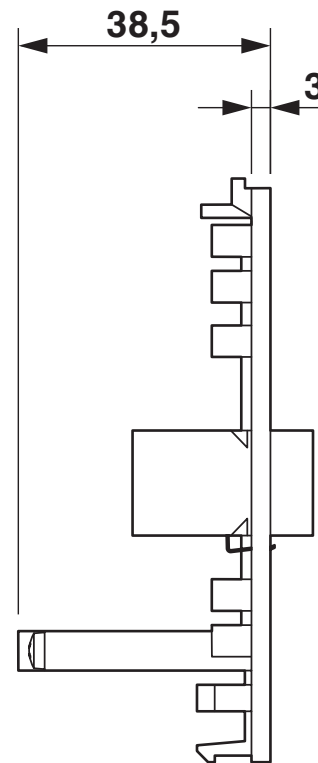


Drawings

Dimensional drawing



Dimensional drawing



Front plate - SI-FP-R1A-D1E



1404500

<https://www.phoenixcontact.com/gb/products/1404500>

Approvals



cUL Recognized
Approval ID: FILE E 238705



UL Recognized
Approval ID: FILE E 238705



EAC
Approval ID: RU C-DE.A*30.B.01102

cULus Recognized

Front plate - SI-FP-R1A-D1E



1404500

<https://www.phoenixcontact.com/gb/products/1404500>

Classifications

ECLASS

ECLASS-9.0	27189217
ECLASS-10.0.1	27182806
ECLASS-11.0	27182806

ETIM

ETIM 8.0	EC000456
----------	----------

UNSPSC

UNSPSC 21.0	39121300
-------------	----------

Front plate - SI-FP-R1A-D1E

1404500

<https://www.phoenixcontact.com/gb/products/1404500>



Environmental Product Compliance

China RoHS	Environmentally Friendly Use Period = 50 years For information on hazardous substances, refer to the manufacturer's declaration available under "Downloads"
------------	--

Front plate - SI-FP-R1A-D1E

1404500

<https://www.phoenixcontact.com/gb/products/1404500>



Accessories

Snap-in markers

Snap-in markers - UCT-EM (20X7) - 0801494

<https://www.phoenixcontact.com/gb/products/0801494>



Snap-in markers, Sheet, white, unlabeled, can be labeled with: TOPMARK NEO, TOPMARK LASER, BLUEMARK ID COLOR, BLUEMARK ID, BLUEMARK CLED, THERMOMARK PRIME, THERMOMARK CARD 2.0, THERMOMARK CARD, mounting type: snapped, lettering field size: 20 x 7 mm, Number of individual labels: 24

Phoenix Contact 2022 © - all rights reserved
<https://www.phoenixcontact.com>

PHOENIX CONTACT Ltd
Halesfield 13, Telford
Shropshire, TF7 4PG
01952 681700
info@phoenixcontact.co.uk