



Approvals



General Information

Model : MW 292
Name : 2000mA Universal IC Regulated DC/DC Converter
Group : Accessories
Type : DC/DC Converter

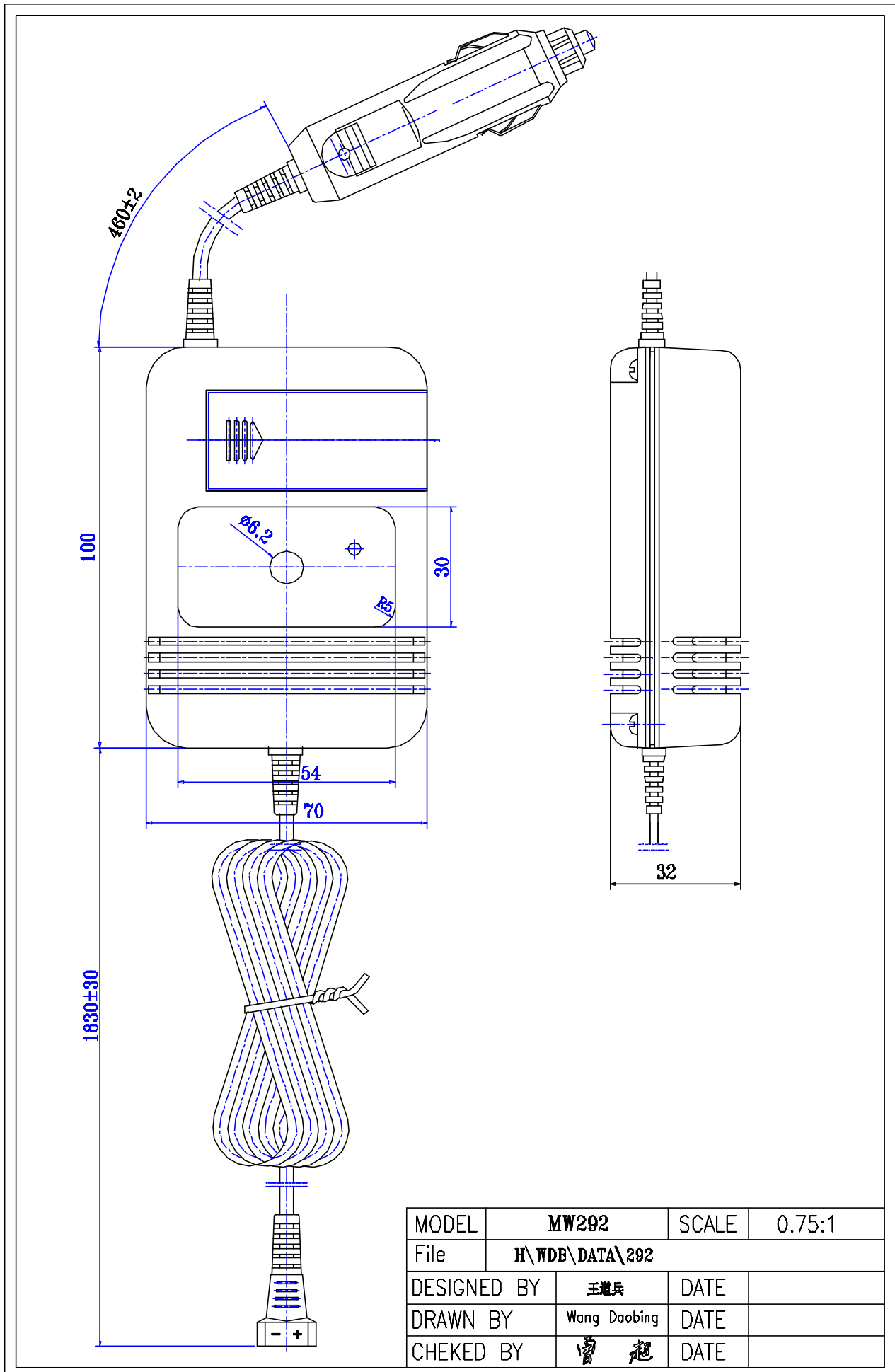
Technical Information

Input Voltage : 12-24VDC
Output Voltage : 1.5/3.0/4.5/6.0/7.5/9.0/12.0VDC Selectable
Output Current : 2000mA
Output Power : 24VA
Output Plug : 6 X C detachable plugs
Product Dimension : 100x70x32mm
Remarks :

Packing Information

Standard Packing : Sealed Blister
Packing Size :
Inner Carton Size : 57x35x17cm
Pcs / Inner Carton : 25
Gross weight of Inner Carton : 6.7kg
Net weight of Inner Carton : 6.25kg
Export Carton Size : 59X37X37cm
Pcs / Export Carton : 50
Gross weight of Export Carton : 14.8kg
Net weight of Export Carton : 12.5kg
Itemboxes / 20' container : 17600
Itemboxes / 40' container : 35200
CBM : 0.0810

CASE & CORD DIMENSION



MODEL	MW292	SCALE	0.75:1
File	H\WDE\DATA\292		
DESIGNED BY	王道兵	DATE	
DRAWN BY	Wang Daobing	DATE	
CHEKED BY	曾超	DATE	