



Contact characteristics

IEC Conventional free air thermal current $I_{th} \leq 40^{\circ}\text{C}$	A	63
IEC Conventional free air thermal current $I_{th} \leq 65^{\circ}\text{C}$	A	50
Rated insulation voltage U_i IEC/EN	V	1000
Rated impulse withstand voltage U_{imp}	kV	12
Operating current I_e		
AC21A		
	400V	A 63
	500V	A 63
	690V	A 63
AC22A		
	400V	A 63
	500V	A 63
	690V	A 63
AC23A		
	400V	A 63
	500V	A 63
	690V	A 63
Power dissipation per pole max	W	4
Power dissipation per pole without fuse	W	4
Max fuse power dissipation		
	in open air	W 7.5
	in enclosure	W 7.5
Rated operational power AC23A		
	400V	kW 30
	690V	kW 55
Reactive power for control of capacitors at		
Rated short time current (1s) I_{cw} (rms)	kA	2.5
Short-circuit protection with fuse	Class/A	J/60
Making capacity AC23A 400V	A	630
Breaking capacity AC23A 400V	A	504
Mechanical life	cycles	10000
Electrical life AC21A	cycles	6000

Mechanical features

Operating position	normal allowable	Vertical plan Any
Fixing		Screw
Terminals	type	Built-in terminal lug
Tightening torque for terminals	max max	Nm 3.5 lbin 30
Conductor section		

IEC min	mm ²	2.5
IEC max	mm ²	25
AWG/kcmil min		14
AWG/kcmil max	kcmil	4

UL technical data

UL Standard			UL98
General purpose current rating	A	60	
Operating voltage max	V	600	
Horsepower/FLA current three phase motor			
	240V	HP/A	15/42
	480V	HP/A	30/40
	600V	HP/A	52/52
Short circuit rating	kA rms	200	
Short circuit rating with fuse	Class/A	J/60	

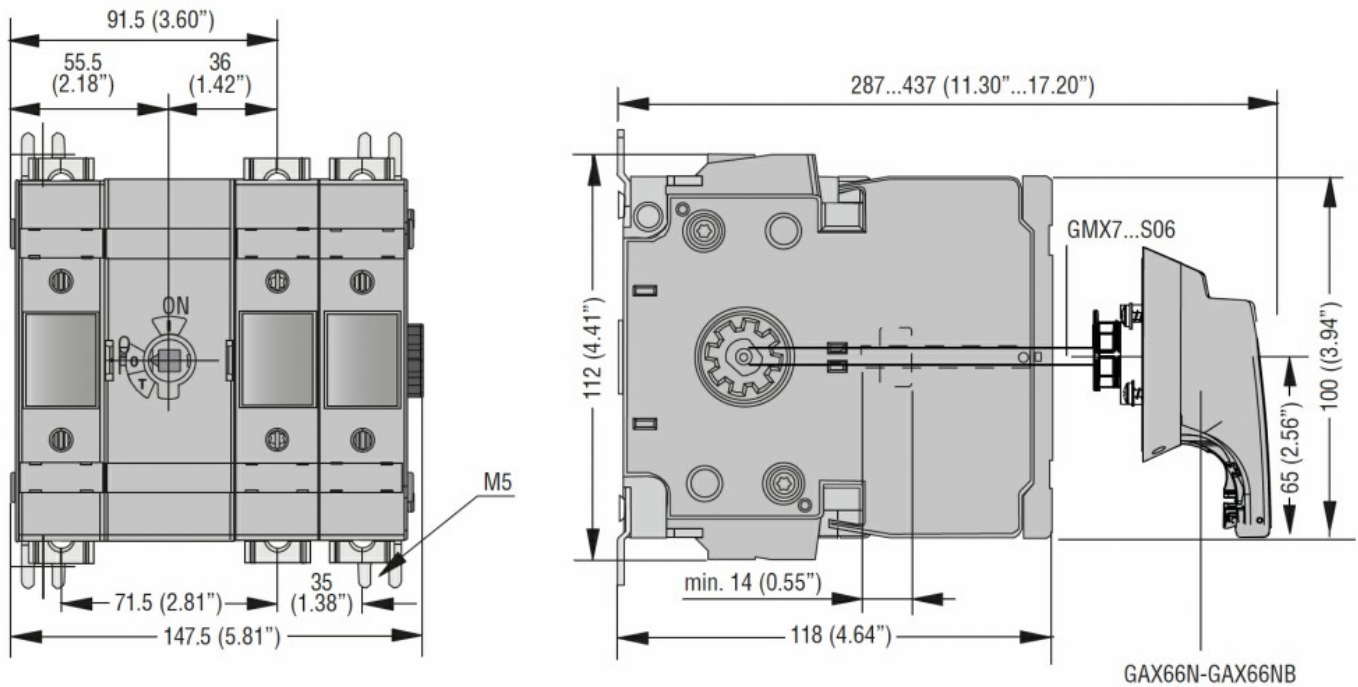
Ambient conditions

Operating temperature	min	°C	-25
	max	°C	55
Storage temperature	min	°C	-40
	max	°C	70
Max altitude	m	3000	

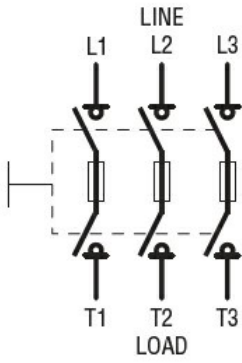
Resistance & Protection

Frontal IP degree	IP20
Pollution degree	3

Dimensions



Wiring diagrams



Certifications and compliance

Compliance

IEC/EN 60947-1

IEC/EN 60947-3

Certifications

CSA C22.2 n°4

cULus according to UL98

EAC

ETIM classification

ETIM 8.0

EC000216 -
Switch
disconnector