

Features

- 2 & 3 position
- 8A / 250VAC
- PCB pins
- 10,000 mechanical cycles

RS PRO Slide Switches

RS Stock No.: 8633548, 8633557





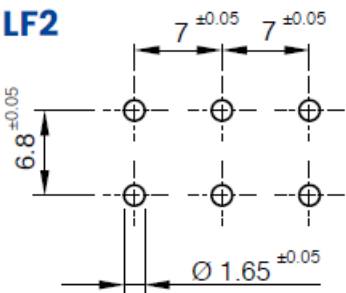
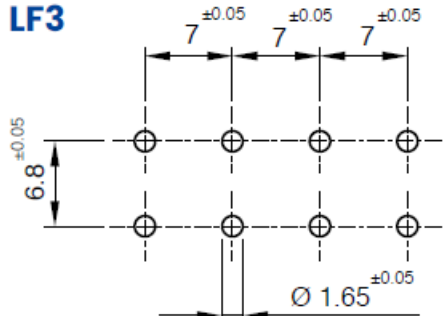
RS PRO is the own brand of RS. The RS PRO Seal of Approval is your assurance of professional quality, a guarantee that every part is rigorously tested, inspected, and audited against demanding standards. Making RS PRO the Smart Choice for our customers.

Product Description

Two and three position slide switches, manufactured in Europe. Designed for household and small appliances, cooker hoods, hairdryers

- DP
- PCB pins
- 8A 250VAC

General Specifications

RS Code:	8633548 	8633557 
Contact Configuration	DP LF2 	DP LF3 
Switch Operation	2 position	3 position
Actuator Colour	Brown	Brown
Case Colour	Brown	Brown

Material Characteristics	
Base	PA66
Slider	PA66
Cover	PA66
Contact	Copper alloy, silver plated
Terminals	Copper alloy, silver plated

Electrical Specifications

Voltage Rating	250VAC
Terminal Type	PCB Pins

Contact Specifications

Contact AC Voltage Rating	250V
Contact Current Rating	8(3)A at 250VAC - Resistive load (inductive load)
Distance Between Contacts	> 3 mm

Mechanical Specifications

Mechanical Life	10,000 operations min
Terminal	PCB pins
Weight	2 position 18g, 3 position 20g

Operation Environment Specifications

Ambient Temperature	125°C
---------------------	-------

Protection Category

IP Rating	IP20
-----------	------

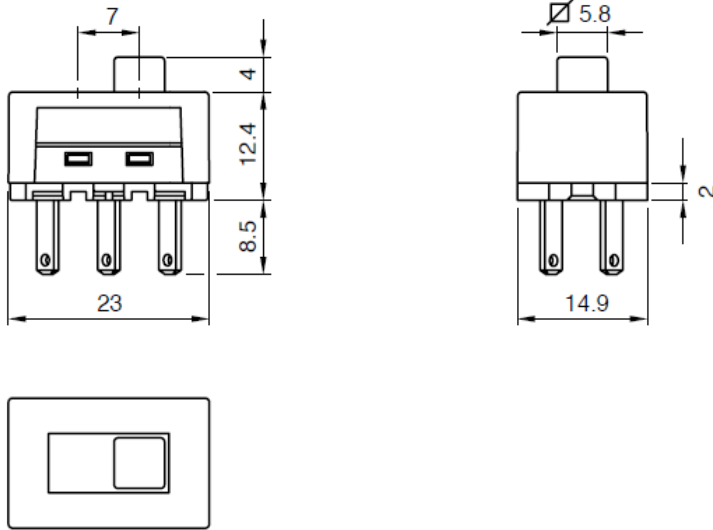
Classification

Class of Appliance	II
--------------------	----

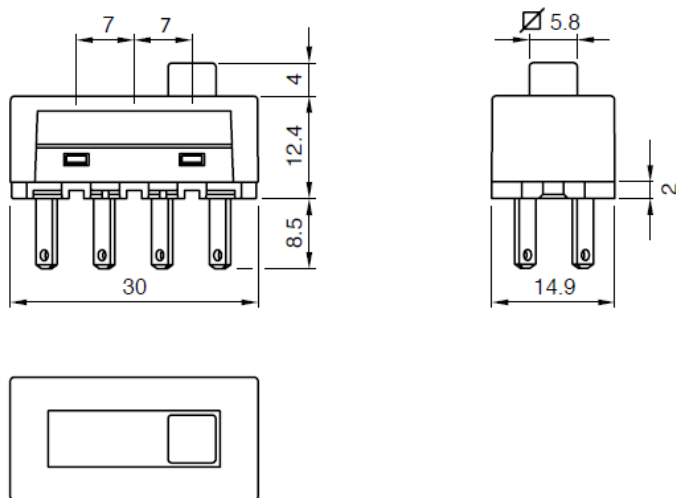
Approvals

Compliance/Certifications	EN 61058-1, ENEC, UL, CE
Declarations	GWFI 850°C heat and fire resistance

2 Position



3 Position



Terminals

