

# Patch cable - VS-PPC/ME-IP20-93K-LI/5,0



1419176

<https://www.phoenixcontact.com/gb/products/1419176>

Please be informed that the data shown in this PDF document is generated from our Online Catalog. Please find the complete data in the user documentation. Our General Terms of Use for Downloads are valid.



Sercos III cable, shielded, star quad, AWG 22 stranded (7-wire), RAL 3020 (traffic red), RJ45 connector/IP67 push-pull, metal on RJ45 connector/IP20, length: 5 m

## Commercial Data

Item number	1419176
Packing unit	1 pc
Minimum order quantity	1 pc
Note	Made to Order (non-returnable)
Sales Key	ABNEAI
Product Key	ABNEAI
Catalog Page	Page 316 (PC-2011)
GTIN	4046356541213
Weight per Piece (including packing)	222.22 g
Weight per Piece (excluding packing)	222.22 g
Customs tariff number	85444210
Country of origin	PL

# Patch cable - VS-PPC/ME-IP20-93K-LI/5,0



1419176

<https://www.phoenixcontact.com/gb/products/1419176>

## Technical Data

### Product properties

Product type	Data cable preassembled
Number of positions	4
Application	Standard
No. of cable outlets	1
Locking type	Push Pull
Shielded	yes
Cable outlet	straight

### Insulation characteristics

Overvoltage category	I
Degree of pollution	2

### LED signaling

Status display	No
----------------	----

### Electrical properties

Transmission medium	Copper
---------------------	--------

### Material specifications

Flammability rating according to UL 94	V0
--	----

### Connector

Insertion/withdrawal cycles	≥ 250
-----------------------------	-------

#### Connection 1

Material	Metal
Degree of protection	IP67

#### Connection 2

Material	Plastic
----------	---------

### Cable / line

Cable length	5.00 m
Cable structure	1x4xAWG22/7; SF/TQ
External cable diameter	6.50 mm
Outer sheath, material	PVC
External sheath, color	Red RAL 3020
Conductor material	Tin-plated Cu litz wires
Conductor structure signal line	7x 0.25 mm
AWG signal line	22
Wire diameter incl. insulation	1.55 mm
Smallest bending radius, fixed installation	55 mm (cable, fixed installation)

# Patch cable - VS-PPC/ME-IP20-93K-LI/5,0



1419176

<https://www.phoenixcontact.com/gb/products/1419176>

Smallest bending radius, movable installation	55 mm (Cable, flexible installation)
Smallest bending radius, fixed installation	55 mm (cable, fixed installation)
Smallest bending radius, movable installation	55 mm (Cable, flexible installation)

## Ambient conditions

Degree of protection	IP65/IP67
Ambient temperature (operation)	-40 °C ... 70 °C (cable, fixed installation)
	-40 °C ... 70 °C (Cable, flexible installation)



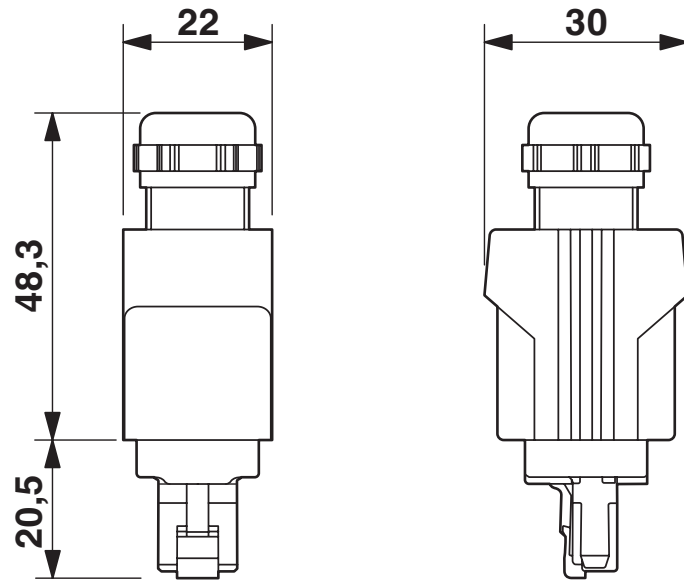
# Patch cable - VS-PPC/ME-IP20-93K-LI/5,0

1419176

<https://www.phoenixcontact.com/gb/products/1419176>



Dimensional drawing



Push-pull RJ45 connector IP65/67

# Patch cable - VS-PPC/ME-IP20-93K-LI/5,0



1419176

<https://www.phoenixcontact.com/gb/products/1419176>

## Approvals



**EAC**

Approval ID: 19060508

# Patch cable - VS-PPC/ME-IP20-93K-LI/5,0



1419176

<https://www.phoenixcontact.com/gb/products/1419176>

## Classifications

### ECLASS

ECLASS-9.0	27060311
ECLASS-10.0.1	27060311
ECLASS-11.0	27060311

### ETIM

ETIM 8.0	EC001855
----------	----------

### UNSPSC

UNSPSC 21.0	26121600
-------------	----------

# Patch cable - VS-PPC/ME-IP20-93K-LI/5,0



1419176

<https://www.phoenixcontact.com/gb/products/1419176>

## Environmental Product Compliance

China RoHS	Environmentally Friendly Use Period = 50 years For information on hazardous substances, refer to the manufacturer's declaration available under "Downloads"
------------	--

Phoenix Contact 2022 © - all rights reserved  
<https://www.phoenixcontact.com>

PHOENIX CONTACT Ltd  
Halesfield 13, Telford  
Shropshire, TF7 4PG  
01952 681700  
[info@phoenixcontact.co.uk](mailto:info@phoenixcontact.co.uk)