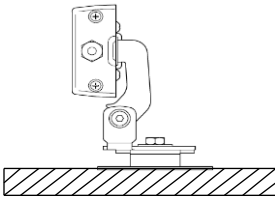
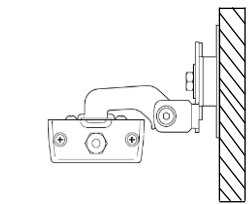
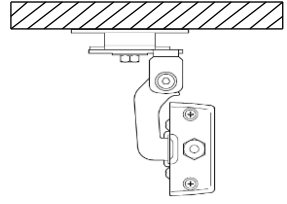
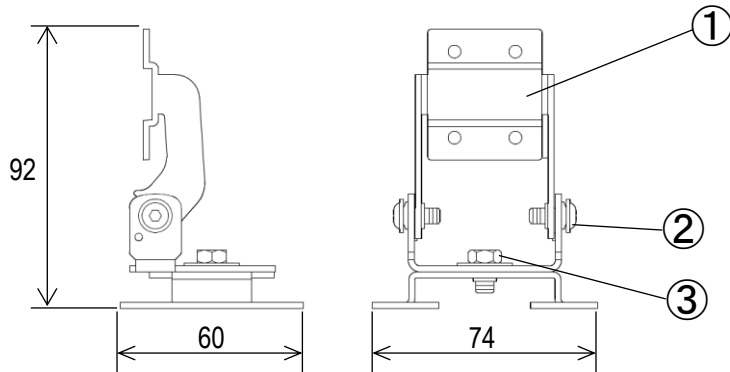


SPECIFICATIONS

[1. General Specifications]

Model	SZW-307		
Compatible models	CLK1-02□N-C		
Mounting Location	Indoor		
Mounting Direction	Upright	Sideways	Inverted
			
Mass (Tolerance ±10%)	0.16kg (Included accessories)		
Vibration Resistance	20 m/s ² (IEC 60068-2-6:2009)		
Environmental Condition	Upright		
Shock Resistance	100m/s ² 16ms 1,000 times, 150m/s ² 11ms 3 times(IEC 60068-2-27)		
Environmental Condition	Upright		
Remarks	No restricted substances exceeding the thresholds of the RoHS Directive are contained.		

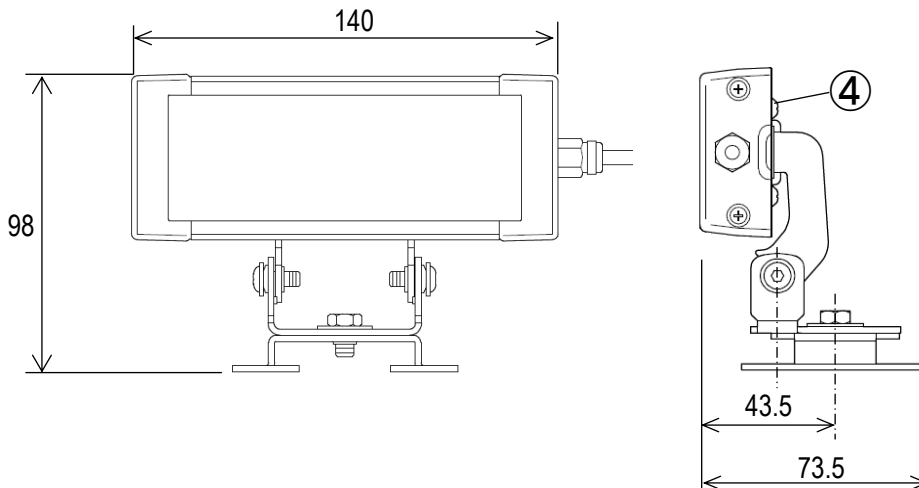
[2. Outer Dimension]



(Unit:mm)

No.	Name	Material
1	Angle Adjustment Bracket	SUS
2	Angle Adjustment Screw A	SUS
3	Angle Adjustment Screw B	SUS
4	Bracket Mounting Screw	SUS

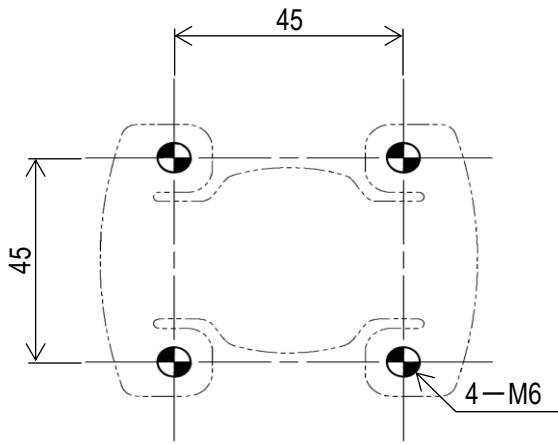
Installation Diagram(Reference)



Drawing No.	Rev.	Page
SZW-307-W18	A	2/2

[3.Mounting Dimension Drawing]

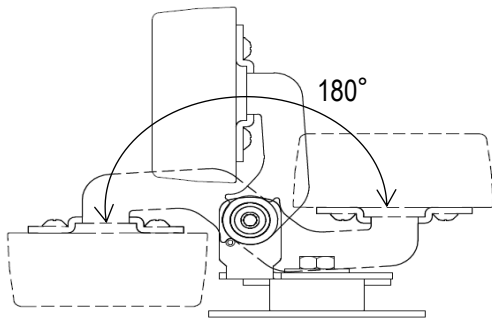
(Unit:mm)



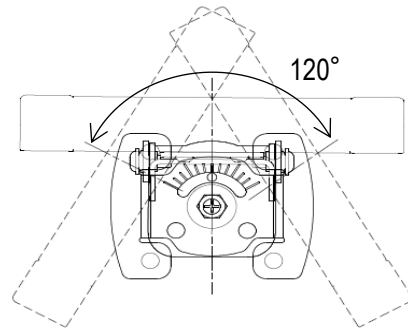
	Screw / Nut	Recommended Torque
Product Mounting	M6	4.8 N·m
Bracket Mounting	M3	0.6 N·m
Angle Adjustmet A	M5	2.8 N·m
Angle Adjustmet B	M6	4.8 N·m

Accessories	Quantity
Bracket Mounting Screw	4

Movable range



<Vertical movable range>



<Horizontal movable range>