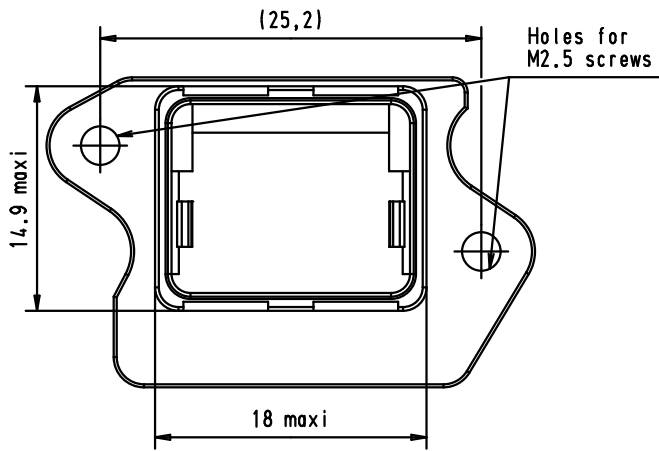
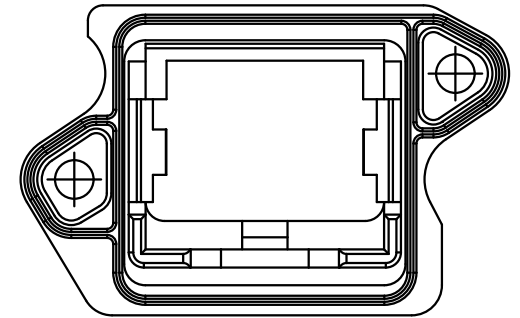
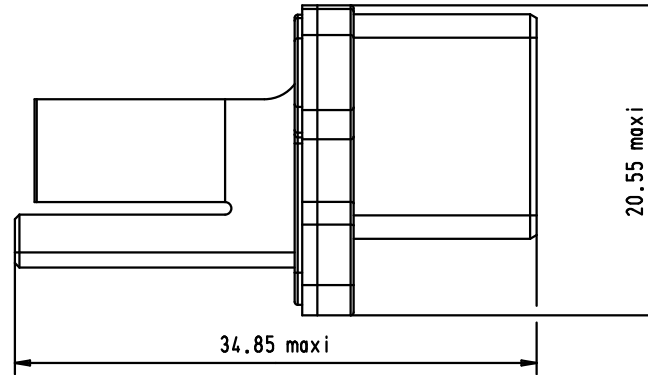


1 2 3 4 5 6

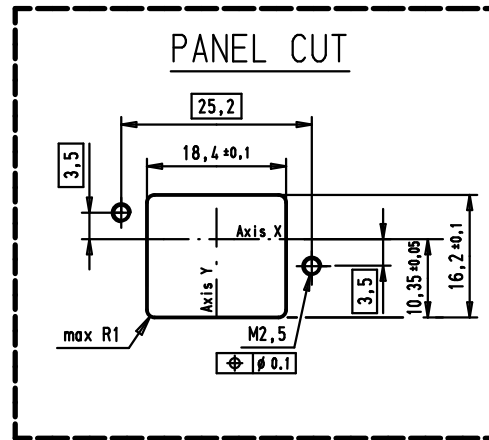
A



B



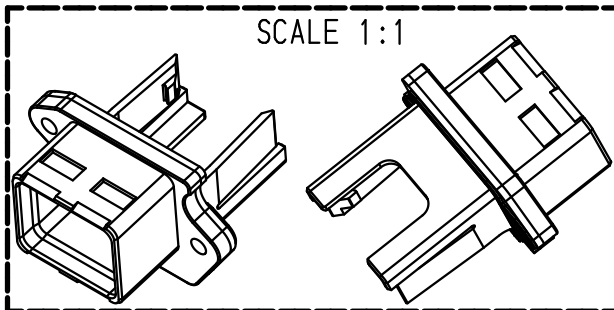
C



Connector pitch on panel:
Axis X = 27 mm and Axis Y = 21 mm

Screwing x2 M2.5 screws between 0.3N.m and 0.5N.m torque
Screws and washers according to DIN 912 and ISO 476

D



				Det.	Name	<p>All Dim. in mm Orig. Size DIN A 4</p>	<p>HARTING PushPull compact receptacle housing for HIFF</p>	<p>Maßstab/ Scale 2:1</p>
			Detail.	04/11/10	AB			
			Insp.					
			Stand.					
36238	04/11/10	AB	HARTING EURL F-95972 Paris				<p>TB 09 45 545 0028</p>	<p>Blatt/ Page 1 / 1</p>
Mod.	Det.	Name						