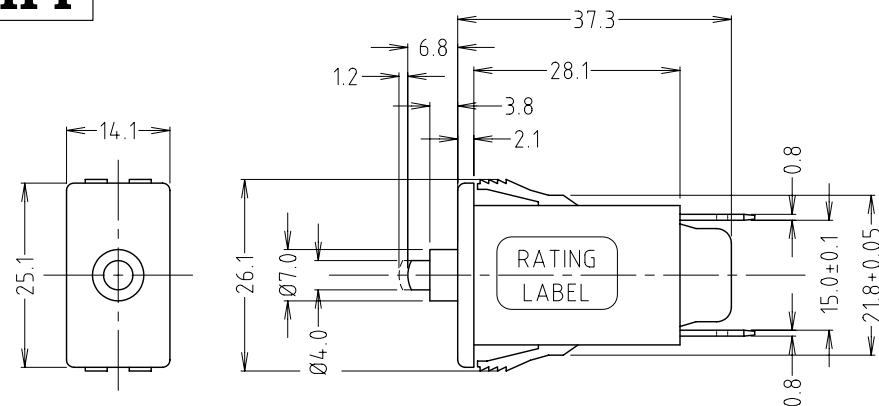
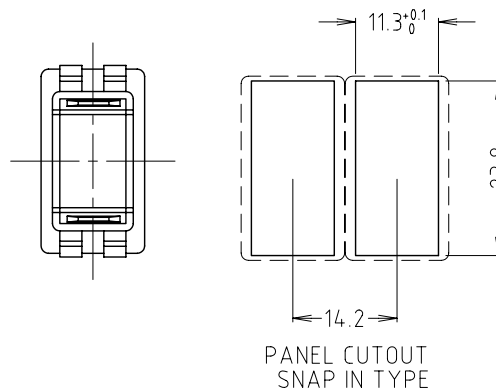
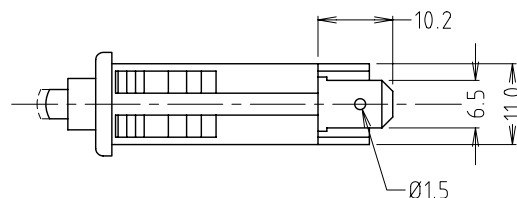


ISS.	AMEND	DATE
1	1st DRAWN	27/06/97
2	5A MODEL ERROR	07/07/97
3	SUPP P/N DELETED	29/08/12

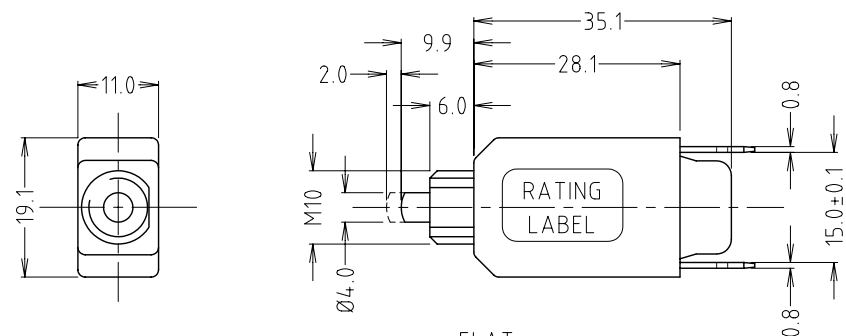


SNAP IN TYPE

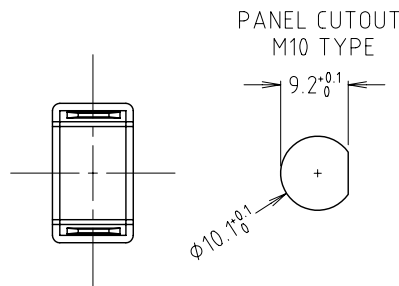
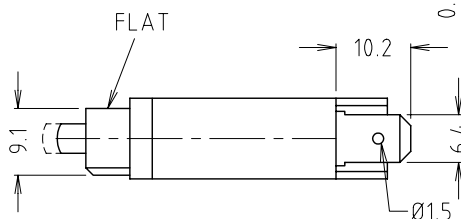


PANEL CUTOUT
SNAP IN TYPE

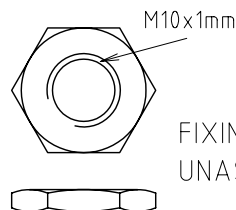
VARIANTS		
AMPS	M10	SNAP IN
4	FC6604A	FC6624
5	FC6605A	FC6625
6	FC6606A	FC6626
7	FC6607A	FC6627
8	FC6608A	FC6628
9	FC6609A	FC6629
10	FC6610A	FC6630
11	FC6611A	FC6631
12	FC6612A	FC6632
13	FC6613A	FC6633
14	FC6614A	FC6634
15	FC6615A	FC6635
16	FC6616A	FC6636



M10 TYPE



PANEL CUTOUT
M10 TYPE



FIXING NUT SUPPLIED
UNASSEMBLED BULK PACKED

RoHS
COMPLIANT

TOLERANCE
NO DEC. PLACE ±
1 DEC. PLACE ±0.20
2 DEC. PLACE ±
HOLE Ø ±
ANGLES ± 1/2°
UNLESS
OTHERWISE STATED

DO NOT SCALE

Cliff Electronic Components Ltd.

76 Holmethorpe Avenue, Holmethorpe Industrial Estate,
Redhill, Surrey, RH1 2PF, England, UK
Tel: 01737-771375 Fax: 01737-766012 Website: www.cliffuk.co.uk

THE CONTENTS OF THIS DOCUMENT MUST NOT BE COPIED OR DISCLOSED
TO A 3rd PARTY WITHOUT WRITTEN PERMISSION OF CLIFF UK. © 1997

DIMENSIONS IN MILLIMETERS UNLESS OTHERWISE STATED. WORK TO DIMENSIONS. REMOVE ALL BURRS. IF IN DOUBT ASK.

3rd ANGLE PROJECTION:

MATERIAL: COMPOSITE

FINISH: CLEAN

DRAWN: C.A.M.J.

APPROVED: R.W.T.

TITLE: MANUAL RESET CIRCUIT PROTECTOR (M10 + SNAP IN)

DRWG. No. **FC6604A**

FORM: A4DRWGH