

1586845-1 ✓ ACTIVE

MATE-N-LOK | Universal MATE-N-LOK

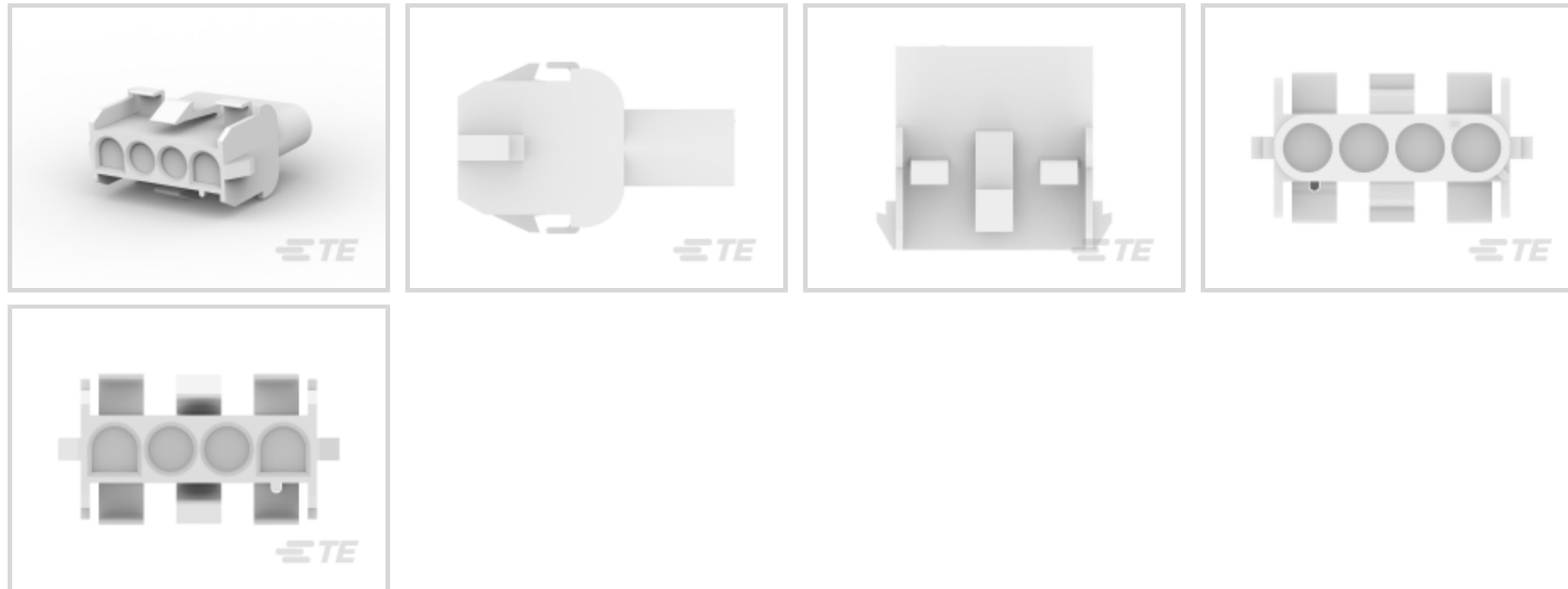
TE Internal #: 1586845-1

4 Position, Cap, Housing, Crimp, Wire-to-Panel / Wire-to-Wire, UL 94V-2, 6.35 mm [.25 in] Centerline, 1 Row, 600 VAC, Universal MATE-N-LOK

[View on TE.com >](#)



Connectors > Rectangular Connectors > Standard Rectangular Connectors



Connector Product Type: **Housing**

Connector & Housing Type: **Cap**

Termination Method to Wire & Cable: **Crimp**

Connector System: **Wire-to-Panel, Wire-to-Wire**

Contact Retention Within Housing: **Without**

Features

Product Type Features

| | |
|-----------------------------------|-----------------------------|
| Connector Product Type | Housing |
| Connector & Housing Type | Cap |
| Connector System | Wire-to-Panel, Wire-to-Wire |
| Sealable | No |
| Connector & Contact Terminates To | Wire & Cable |

Configuration Features

| | |
|---------------------|---|
| Number of Positions | 4 |
| Number of Rows | 1 |

Electrical Characteristics

| | |
|-------------------|---------|
| Operating Voltage | 600 VAC |
|-------------------|---------|

Body Features

| | |
|-----------------------|---------|
| Primary Product Color | Natural |
|-----------------------|---------|

Contact Features

| | |
|--|--|
| | |
|--|--|



| | |
|----------------------------------|---------|
| Multiple Contact Types | Without |
| Contact Layout | Inline |
| Contact Retention Within Housing | Without |
| Contact Type | Pin |

Termination Features

| | |
|------------------------------------|-------|
| Termination Method to Wire & Cable | Crimp |
|------------------------------------|-------|

Mechanical Attachment

| | |
|--------------------------|-------------|
| Panel Mount Feature | With |
| Panel Mount Feature Type | Latches |
| Connector Mounting Type | Panel Mount |

Housing Features

| | |
|--------------------|------------------|
| Centerline (Pitch) | 6.35 mm [.25 in] |
| Housing Material | Nylon |

Dimensions

| | |
|-------------------------------|-------------------------------|
| Panel Thickness (Recommended) | .76 – 2.29 mm [.76 – 2.29 in] |
|-------------------------------|-------------------------------|

Usage Conditions

| | |
|-----------------------------|-----------------------------|
| Operating Temperature Range | -55 – 105 °C [-67 – 221 °F] |
|-----------------------------|-----------------------------|

Operation/Application

| | |
|---------------------|----------------|
| Circuit Application | Power & Signal |
|---------------------|----------------|

Industry Standards

| | |
|---|---------------------------|
| Compatible With Agency/Standards Products | UL, VDE |
| UL Rating | Recognized |
| Compatible With Approved Standards Products | UL E28476 |
| UL Flammability Rating | UL 94V-2 |
| Glow Wire Rating | GWT 750°C (Without Flame) |

Packaging Features

| | |
|--------------------|---------|
| Packaging Quantity | 1 |
| Packaging Method | Package |

Product Compliance

[For compliance documentation, visit the product page on TE.com>](#)

| | |
|------------------------------|-----------|
| EU RoHS Directive 2011/65/EU | Compliant |
|------------------------------|-----------|



| | |
|---|---|
| EU ELV Directive 2000/53/EC | Compliant |
| China RoHS 2 Directive MIIT Order No 32, 2016 | No Restricted Materials Above Threshold |
| EU REACH Regulation (EC) No. 1907/2006 | Current ECHA Candidate List: JUNE 2025 (250) Candidate List Declared Against: JUNE 2025 (250) Does not contain REACH SVHC |
| Halogen Content | Not Low Halogen - contains Br or Cl > 900 ppm. |
| Solder Process Capability | Not applicable for solder process capability |

Product Compliance Disclaimer

This information is provided based on reasonable inquiry of our suppliers and represents our current actual knowledge based on the information they provided. This information is subject to change. The part numbers that TE has identified as EU RoHS compliant have a maximum concentration of 0.1% by weight in homogenous materials for lead, hexavalent chromium, mercury, PBB, PBDE, DBP, BBP, DEHP, DIBP, and 0.01% for cadmium, or qualify for an exemption to these limits as defined in the Annexes of Directive 2011/65/EU (RoHS2). Finished electrical and electronic equipment products will be CE marked as required by Directive 2011/65/EU. Components may not be CE marked. Additionally, the part numbers that TE has identified as EU ELV compliant have a maximum concentration of 0.1% by weight in homogenous materials for lead, hexavalent chromium, and mercury, and 0.01% for cadmium, or qualify for an exemption to these limits as defined in the Annexes of Directive 2000/53/EC (ELV). Regarding the REACH Regulation, the information TE provides on SVHC in articles for this part number is based on the latest European Chemicals Agency (ECHA) 'Guidance on requirements for substances in articles' posted at this URL: <https://echa.europa.eu/guidance-documents/guidance-on-reach>

Compatible Parts



TE Part # 1586963-1
04P UMNL PIN HDR ASSY, GW



TE Part # 641967-1
04P UMNL PIN HDR ASSY POL NATL



TE Part # 643415-1
04P UMNL HDR ASSY POL



TE Part # 641968-3
04P UMNL PIN HDR ASSY POL 94VO



TE Part # 1586849-1
03P UMNL CAP HSG NATL, GW



TE Part # 173926-1
4 P ACTION PIN UMNL



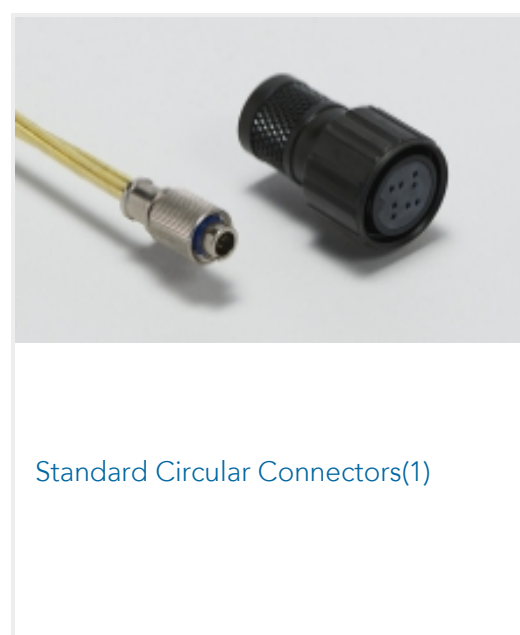
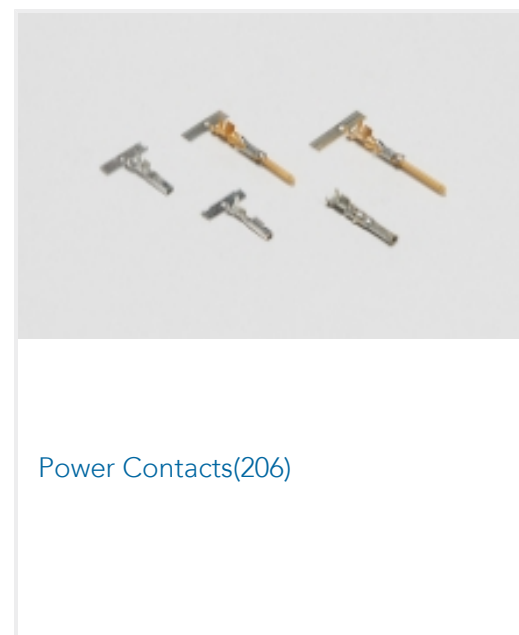
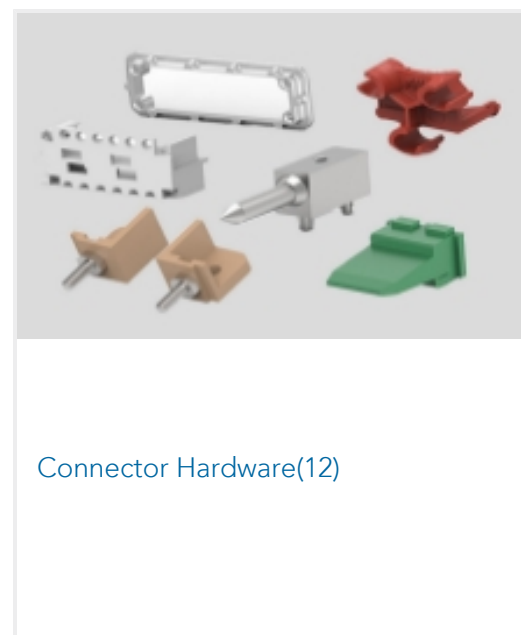
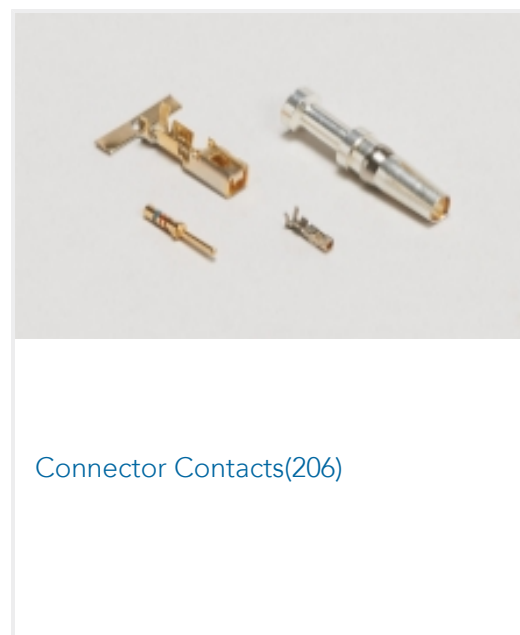
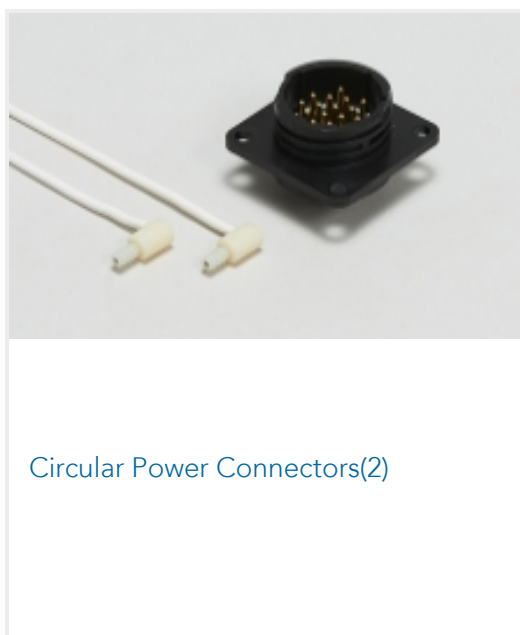
TE Part # 350793-1
04P UMNL PIN HDR ASSY 94VO



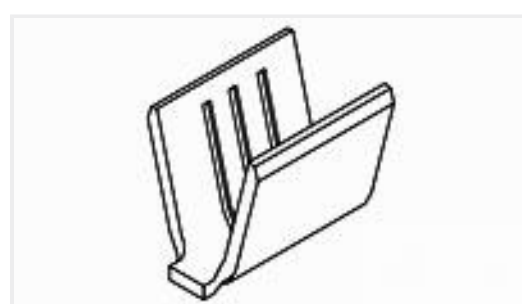
TE Part # 350833-4
04P UMNL HDR ASSY PC 94VO LF



Also in the Series | **Universal MATE-N-LOK**



Customers Also Bought



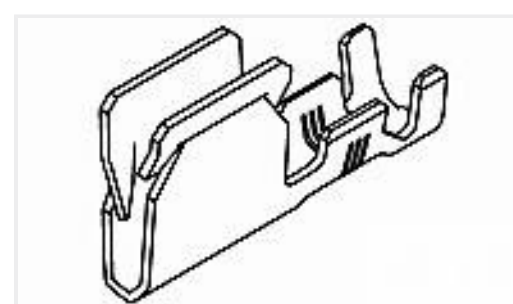
TE Part #40509
SPLICE 3300 TO 9000 CMA BR



TE Part #42617-1
187 FASTON REC 20-16 AWG BR



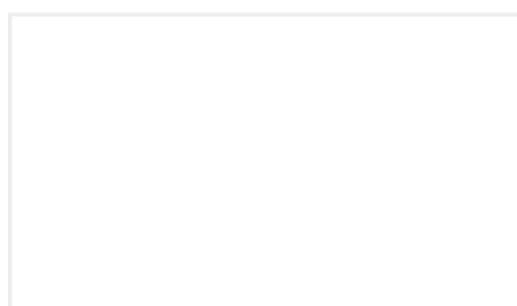
TE Part #60772-1
RING CRIMP 18-14 AWG BR



TE Part #63895-1
GROUND CLIP 14-18AWG ST



TE Part #794991-1
02P UMNL BLACK INTERFACE SEAL



TE Part #794992-1
03P UMNL BLACK INTERFACE SEAL



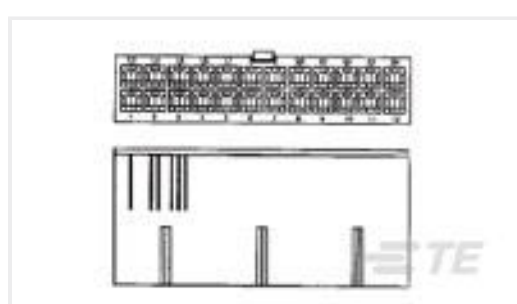
TE Part #1586849-1
03P UMNL CAP HSG NATL, GW



TE Part #1586851-1
02P UMNL PLUG HSG, GW



TE Part #1586852-1
04P UMNL PLUG HSG, GW



TE Part #1586862-8
8P FH PLUG VAL-U-LOK FH GW

Documents

Product Drawings

[04P UMNL CAP HSG NATL, GW](#)

English

CAD Files

Customer View Model

[ENG_CVM_1586845-1_A.3d_igs.zip](#)

English

Customer View Model

[ENG_CVM_1586845-1_A.3d_stp.zip](#)

English

Customer View Model

[ENG_CVM_1586845-1_A.2d_dxf.zip](#)

English

3D PDF

English

By downloading the CAD file I accept and agree to the [Terms and Conditions](#) of use.

Product Specifications



Application Specification

English

Agency Approvals

UL

English

UL

English