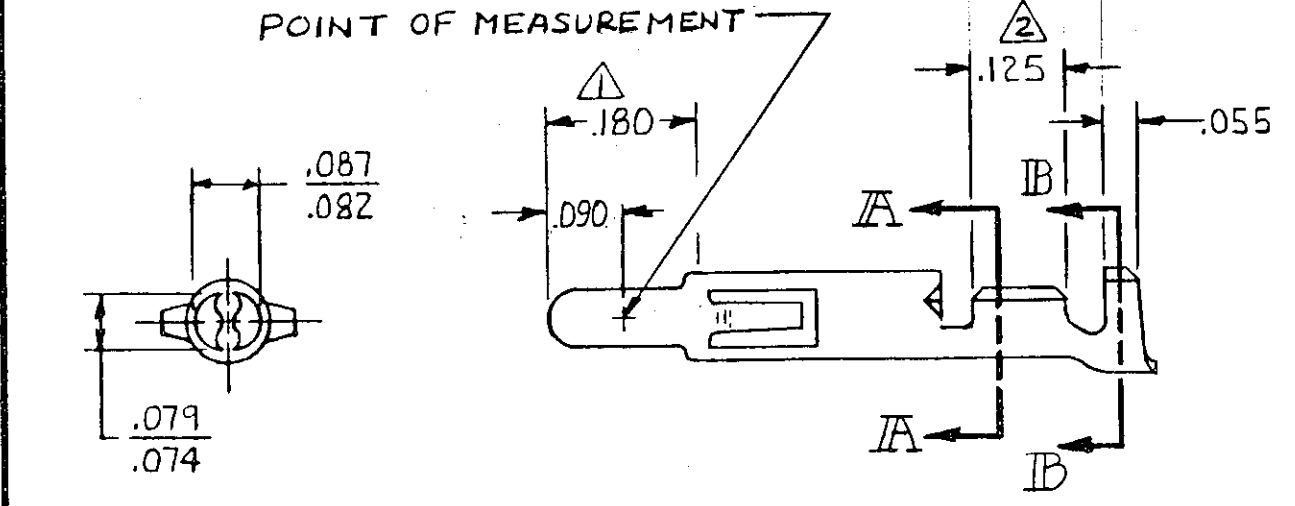
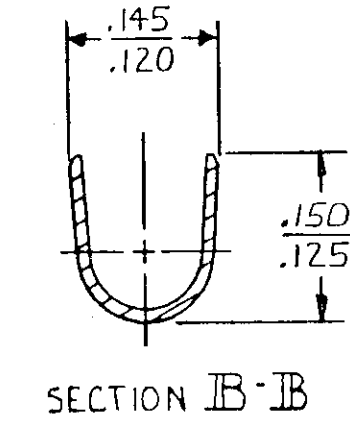
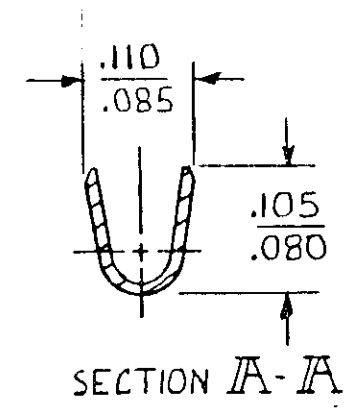
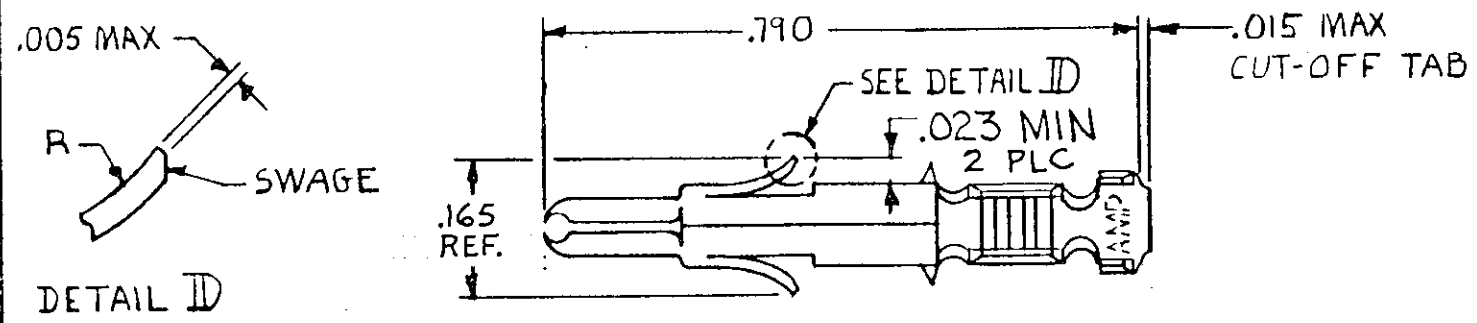


© COPYRIGHT

REVISIONS						
P.	F.	ZONE	LTR	DESCRIPTION	DATE	APPROVED
			H1	REVISED PER ECO-11-005294	07APR11	HMR



- ① PLATED WITH .000030 GOLD, OVER .000050 NICKEL UNDER PLATE.
- ② PLATED INTERNALLY WITH .000030 GOLD.

MATERIAL	FINISH	PART NO
.012 BRASS	GOLD ①	350706-7
.012 BRASS	GOLD ①/②	350706-2
	PRE-TIN	350706-1

UNLESS OTHERWISE SPECIFIED DIMENSIONS ARE IN INCHES. TOLERANCES ON: DECIMALS ±.015 ANGLES ±	CONTRACT NO
	DR <i>m. Feher 4-9-81</i>
	CHK <i>D. Heide 6/9/81</i>
	APPD <i>D. Palashub 6/10/81</i>
WIRE RANGE 24-18 AWG	DSGN APPD
INSULATION RANGE .100 DIA MAX	OTHER APPD

TE TE Connectivity		
NAME SPLIT PIN, (LOOSE PIECE) UNIVERSAL MATE-N-LOK		
SIZE B	CODE IDENT NO 00779	DRAWING NO 350706
SCALE 4-1	SHEET	