

5787083-5 ✓ ACTIVE

AMPLIMITE | AMPLIMITE 0.50 Series

TE Internal #: 5787083-5

50 Position D-Shaped Connector, Receptacle, Cable-to-Board,
Board Mount, 1.27 mm [.05 in] Centerline, Printed Circuit Board,
AMPLIMITE 0.50 Series

[View on TE.com >](#)



Connectors > D-Shaped Connectors > D-Sub Receptacle Assembly: Right Angle, 1.27mm



Number of Positions: **50**

Connector & Housing Type: **Receptacle**

Connector System: **Cable-to-Board**

Connector Mounting Type: **Board Mount**

Centerline (Pitch): **1.27 mm [.05 in]**

[All D-Sub Receptacle Assembly: Right Angle, 1.27mm \(73\)](#)

Features

Product Type Features

| | |
|-----------------------------------|-----------------------|
| Shell Material Configuration | Full Metal Shell |
| Connector & Housing Type | Receptacle |
| Connector System | Cable-to-Board |
| Connector & Contact Terminates To | Printed Circuit Board |

Configuration Features

| | |
|-----------------------|-------------|
| Number of Positions | 50 |
| Number of Rows | 4 |
| PCB Mount Orientation | Right Angle |

Body Features

| | |
|-----------------------------------|--------------------|
| Assembly Process Feature Material | Copper Alloy |
| Shell Plating Finish | Bright |
| Shell Plating Material | Nickel over Copper |
| Primary Product Color | Black |
| Connector Profile | Standard |

Contact Features

| | |
|-------------------------------|------------------|
| | 30 μ m |
| Contact Underplating Material | Palladium Nickel |



| | |
|---|----------------------|
| Contact Mating Area Plating Material | Gold (Au) |
| Contact Base Material | Phosphor Bronze |
| PCB Contact Termination Area Plating Material | Tin, Tin over Nickel |
| Contact Current Rating (Max) | 1 A |
| Contact Options | Installed |

Termination Features

| | |
|---|-----------------------|
| Rectangular Termination Post & Tail Width | .41 mm[.016 in] |
| Rectangular Termination Post & Tail Thickness | .3 mm[.011 in] |
| Termination Method to PCB | Through Hole - Solder |
| Termination Post & Tail Length | 3.05 mm[.12 in] |

Mechanical Attachment

| | |
|---|--------------------|
| Mounting Feature Plating Material | Nickel over Copper |
| Mounting Feature Material | Zinc |
| Mounting Hole Diameter | 2.77 mm[.109 in] |
| Mating Alignment | Without |
| PCB Mount Alignment | Without |
| Assembly Process Feature Plating Material | Tin over Nickel |
| Connector Mounting Type | Board Mount |
| PCB Mount Retention | With |
| PCB Mount Retention Type | Boardlock |
| Mating Retention | With |
| Mating Retention Type | Latch |

Housing Features

| | |
|--------------------|-----------------|
| Housing Material | Thermoplastic |
| Shell Material | Carbon Steel |
| Centerline (Pitch) | 1.27 mm[.05 in] |

Dimensions

| | |
|-----------------------------|------------------|
| PCB Thickness (Recommended) | 2.36 mm[.093 in] |
| Row-to-Row Spacing | 2.54 mm[.1 in] |

Usage Conditions

| | |
|-----------------------------|----------------------------|
| Operating Temperature Range | -55 – 105 °C[-67 – 221 °F] |
|-----------------------------|----------------------------|

Operation/Application



| | |
|---------------------|--------|
| Shielded | Yes |
| Circuit Application | Signal |

Industry Standards

| | |
|---|-----------------------|
| UL Flammability Rating | UL 94V-0 |
| Compatible With Approved Standards Products | LR-86179-1, UL E28476 |

Packaging Features

| | |
|--------------------|------|
| Packaging Quantity | 10 |
| Packaging Method | Tube |

Product Compliance

[For compliance documentation, visit the product page on TE.com>](#)

| | |
|---|---|
| EU RoHS Directive 2011/65/EU | Compliant |
| EU ELV Directive 2000/53/EC | Compliant |
| China RoHS 2 Directive MIIT Order No 32, 2016 | No Restricted Materials Above Threshold |
| EU REACH Regulation (EC) No. 1907/2006 | Current ECHA Candidate List: JAN 2025 (247) Candidate List Declared Against: JAN 2025 (247) Does not contain REACH SVHC |
| Halogen Content | Not Low Halogen - contains Br or Cl > 900 ppm. |
| Solder Process Capability | Reflow solder capable to 260°C |

Product Compliance Disclaimer

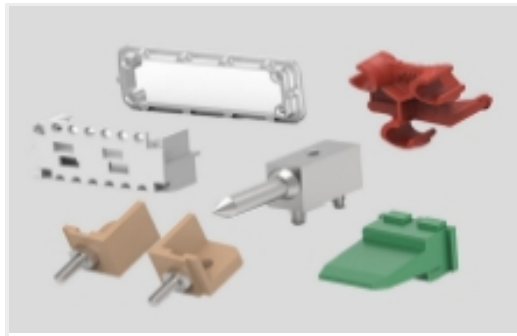
This information is provided based on reasonable inquiry of our suppliers and represents our current actual knowledge based on the information they provided. This information is subject to change. The part numbers that TE has identified as EU RoHS compliant have a maximum concentration of 0.1% by weight in homogenous materials for lead, hexavalent chromium, mercury, PBB, PBDE, DBP, BBP, DEHP, DIBP, and 0.01% for cadmium, or qualify for an exemption to these limits as defined in the Annexes of Directive 2011/65/EU (RoHS2). Finished electrical and electronic equipment products will be CE marked as required by Directive 2011/65/EU. Components may not be CE marked. Additionally, the part numbers that TE has identified as EU ELV compliant have a maximum concentration of 0.1% by weight in homogenous materials for lead, hexavalent chromium, and mercury, and 0.01% for cadmium, or qualify for an exemption to these limits as defined in the Annexes of Directive 2000/53/EC (ELV). Regarding the REACH Regulation, the information TE provides on SVHC in articles for this part number is based on the latest European Chemicals Agency (ECHA) 'Guidance on requirements for substances in articles' posted at this URL: <https://echa.europa.eu/guidance-documents/guidance-on-reach>

Compatible Parts

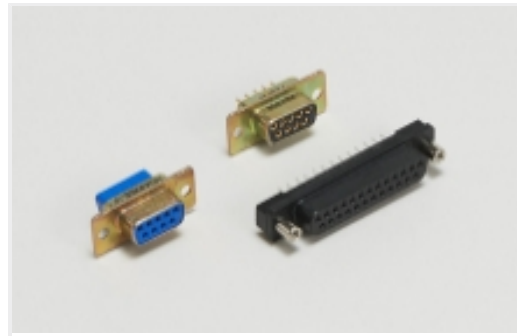


TE Part # 786585-2
50SR SCREWLOCK KIT, FEMALE

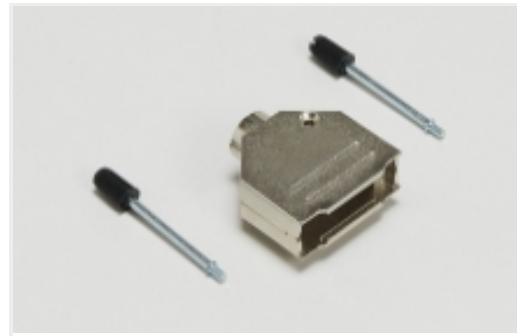
Also in the Series | **AMPLIMITE 0.50 Series**



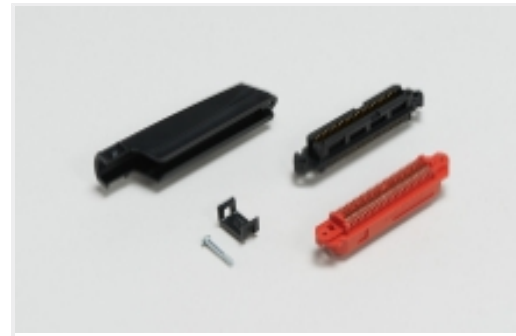
Connector Hardware(6)



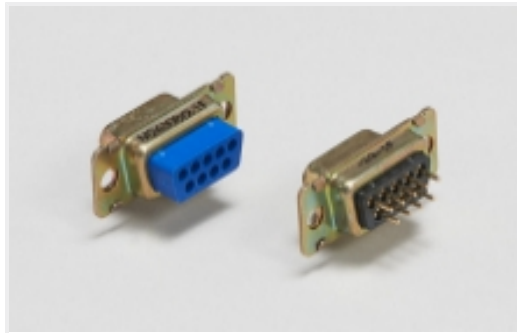
D-Shaped Connectors(234)



D-Sub Backshells & Clamps(20)



IDC D-Sub Connectors(63)

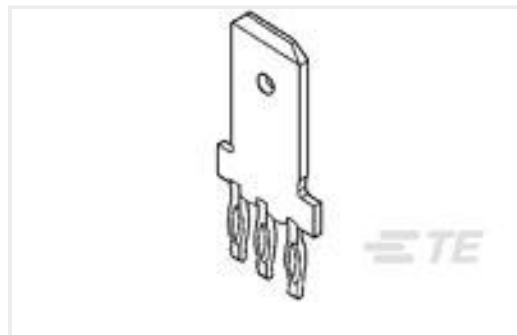


Panel Mount D-Sub Connectors(27)

Customers Also Bought



TE Part #800585-SF
FN406-0.5-02



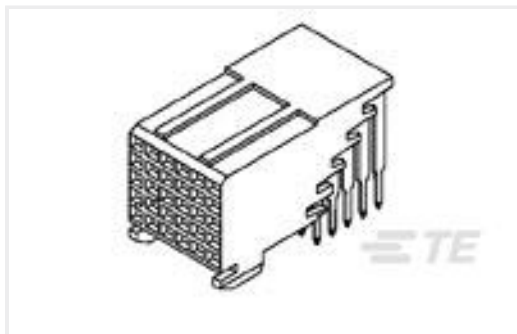
TE Part #216843-1
250 FASTON, TAB, PCB, TPPB



TE Part #1-1761607-3
IDC LOW PRO HDR 40P RA LAT BLK



TE Part #6-1879214-9
CPF 0402 1K87 0.1% 25PPM 1K RL



TE Part #5223008-1
FB-5R, ASY, 030, SIG, REC, EN, 3, 55



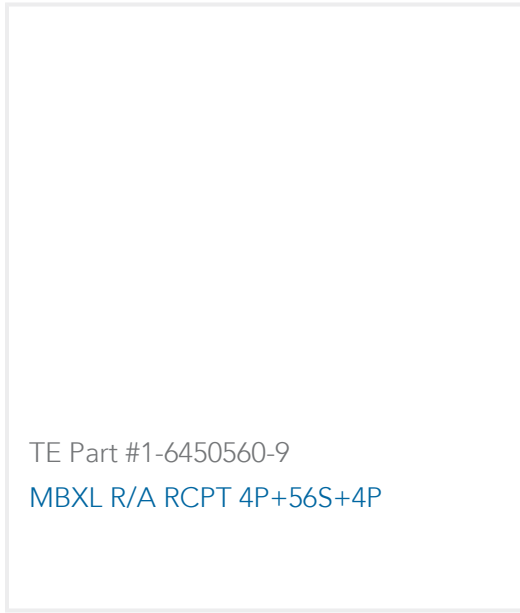
TE Part #3-5338556-1
8/8 MOD JACK ASSY SE



TE Part #6116202-1
MJ, TE, 8P, COMPL. PIN, CAT5, PC



TE Part #1-6450320-3
MBXL R/A HDR 4P+56S+4P



Documents

Product Drawings

[50 50SR R/A RCPT ASSY,RDSN L/F](#)

English

CAD Files

Customer View Model

[ENG_CVM_5787083-5_B.3d_igs.zip](#)

English

Customer View Model

[ENG_CVM_5787083-5_B.3d_stp.zip](#)

English

Customer View Model

[ENG_CVM_5787083-5_B.2d_dxf.zip](#)

English

3D PDF

English

By downloading the CAD file I accept and agree to the [Terms and Conditions](#) of use.

Product Specifications

[Application Specification](#)

English

Agency Approvals

[UL](#)

English