

Datasheet

Stock No: 286-3623

RS Pro Cast Iron 132 Base Flange, 33.7mm Round Tube, Type 1

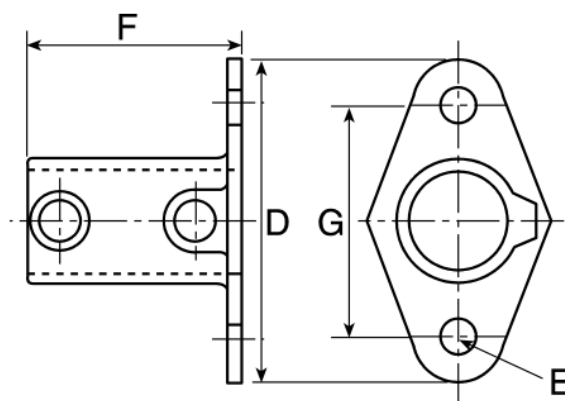


Product Details

Rail Base Flange

Used to fix down handrail, guarding and other structures

Dimensions (mm)				
Tube Size Ref.	D	E	F	G
1	128	14	90	89
2	140	14	90	102
3	152	14	90	114





ENGLISH

Specifications:

Component Type	Base Flange
Structural Element Type	Round Tube
Product Family	RS Handrail System
Product System	132
Fits Round Tube Size	Type 1
Fits Tube Diameter	33.7mm
Fits Strut Profile	Type 1
Material	Cast Iron