



Brand of NTN Group

## Technical data

### SUCFL206CC

Bearing units

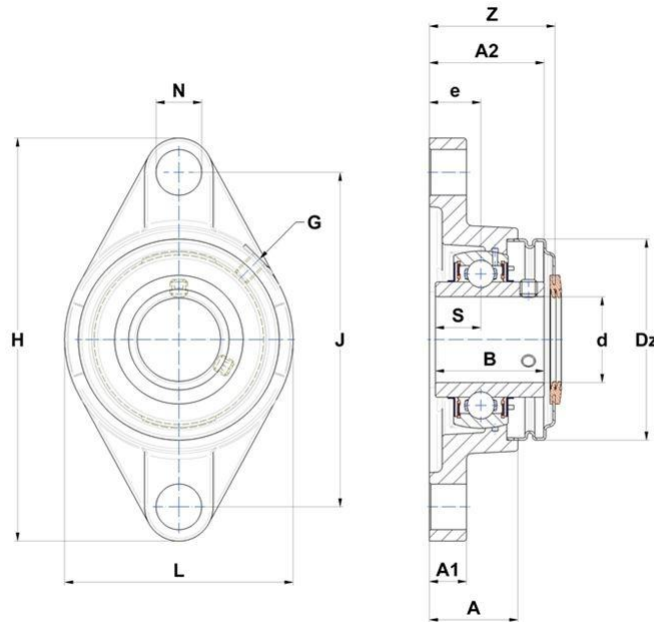


Stainless steel cast housing, stainless steel insert ball bearing with socket set screws, seal with slinger, food grease. In the figure, flanged bearing units are presented with open cover. The product you have chosen is equipped with closed cover.

## KIT CONTENT

SUC206, SCC206, SFL206N

## VISUAL (S)



## PRODUCT DEFINITION

<b>Brand</b>	SNR
<b>A - Housing height</b>	31 mm
<b>A1 - Housing foot height / flange height</b>	13 mm
<b>A2 - Total height from mounting surface</b>	40,2 mm
<b>B - Width of Inner Ring</b>	38,1 mm



**NTN Europe**

1 rue des Usines · BP 2017 · 74010 Annecy Cedex · France · Tel. +33 (0)4 50 65 30 00  
S.A. au capital de 322 639 919 € · RCS ANNECY B 325 821 072 · Id. Fiscale : FR 48 325 821 072  
SIRET 325 821 072 00015 · Code APE 2815 Z · Code NACE 28.15

**PRODUCT DEFINITION**

<b>d - Shaft diameter</b>	30 mm
<b>Dz - Outer diameter of cover</b>	70 mm
<b>e - Distance mounting surface to bearing center</b>	18 mm
<b>G - Grease fitting</b>	M6x1
<b>H - Housing length, width or diameter</b>	141 mm
<b>J - Mounting holes distance</b>	117 mm
<b>L - Housing width / diameter</b>	80 mm
<b>N - Mounting hole dimension</b>	13,5 mm
<b>S - Distance front side/bearing centre</b>	15,9 mm
<b>Z - Width over covers</b>	43,9 mm

**PRODUCT PERFORMANCE**

<b>C - Dynamic load rating</b>	19400000 mN
<b>C0 - Static load rating</b>	11200000 mN
<b>Operating temperature min.</b>	253,15 °K
<b>Operating temperature max.</b>	373,15 °K

**OTHER FEATURES**

<b>Mass</b>	0,96 kg
<b>Recommended tightening torque for set screw</b>	3.9 N-m

