

# NP89 Series

# Pin Grid Array / Zero Insertion Force (PGA / ZIF)

## Specifications

Insulation Resistance: 1,000MΩ min. at 500V DC  
 Dielectric Withstanding Voltage: 700V AC for 1 minute  
 Contact Resistance: 30mΩ max. at 10mA/20mV max.  
 Operating Temperature Range: -40°C to +170°C

## Materials and Finish

Housing: Polyetherimide (PEI), glass-filled, UL94V-0  
 Contacts: Beryllium Copper (BeCu)  
 Plating: Gold over Nickel

## Features

- ◇ Wiping action system: Cleans up IC lead surface during handling action
- ◇ Reliable 3 point contact system
- ◇ Cost performance: Different contact thickness for contact area and terminal area
- ◇ Depopulated versions available
- ◇ Also available with lever on the right hand side, standard type is lever on the left hand side

## Part Number (Details)

**NP89 - 121 10 MF - G 4 - BF**

Series No.

No. of Contact Pins

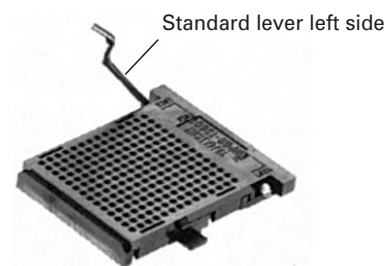
Design Number

MF = Flanged  
 Unmarked = Not Flanged

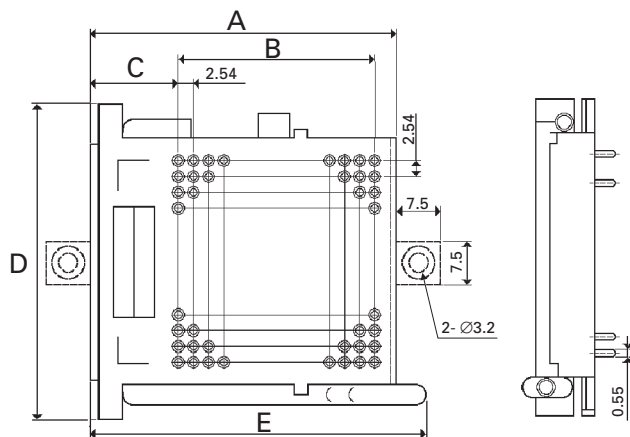
Contact Plating (Gold)

Contact Terminal Style

Plating Specification

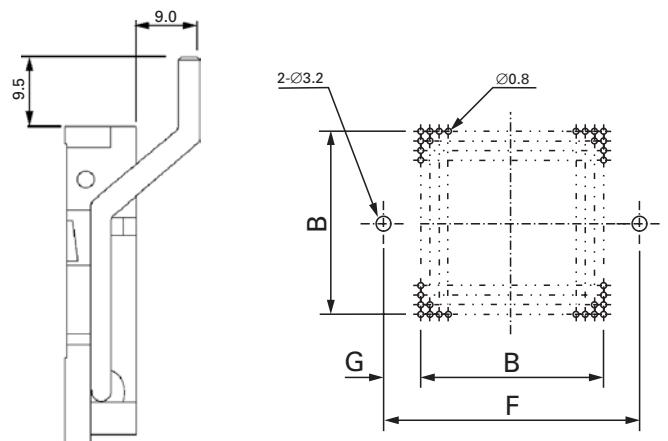


## Outline Socket Dimensions



## Recommended PC Board Layout

Top View from Socket



Part Number	Grid Size	Pin Count	Socket and PC Board Dimensions						
			A	B	C	D	E	F	G
NP89-12110**-G4-BF	11 x 11	121	42.5	25.4	14.0	42.5	52.0	50.1	17.55
NP89-14409**-G4-BF	12 x 12	144	43.1	27.94	12.0	42.7	52.6	50.7	15.55
NP89-13302**-G4-BF	14 x 14	133	51.0	32.02	14.65	51.0	60.5	58.6	18.2
NP89-19601**-G4-BF	14 x 14	196	51.0	32.02	14.65	49.0	60.5	58.6	18.2
NP89-22508**-G4-BF	15 x 15	225	52.7	35.56	14.0	50.3	65.4	60.3	17.55
NP89-21004**-G4-BF	17 x 17	210	59.0	40.64	14.65	57.0	71.7	66.6	18.2
NP89-28906**-G4-BF	17 x 17	289	59.0	40.64	14.65	57.0	71.7	66.6	18.2
NP89-36105**-G4-BF	19 x 19	361	63.7	45.72	14.65	61.7	73.2	71.3	18.2
NP89-44111**-G4-BF	21 x 21	441	69.0	50.8	14.95	68.0	81.7	76.4	18.5
NP89-62522**-G4-BF	25 x 25	625	85.7	60.96	17.95	82.0	95.2	92.8	21.5