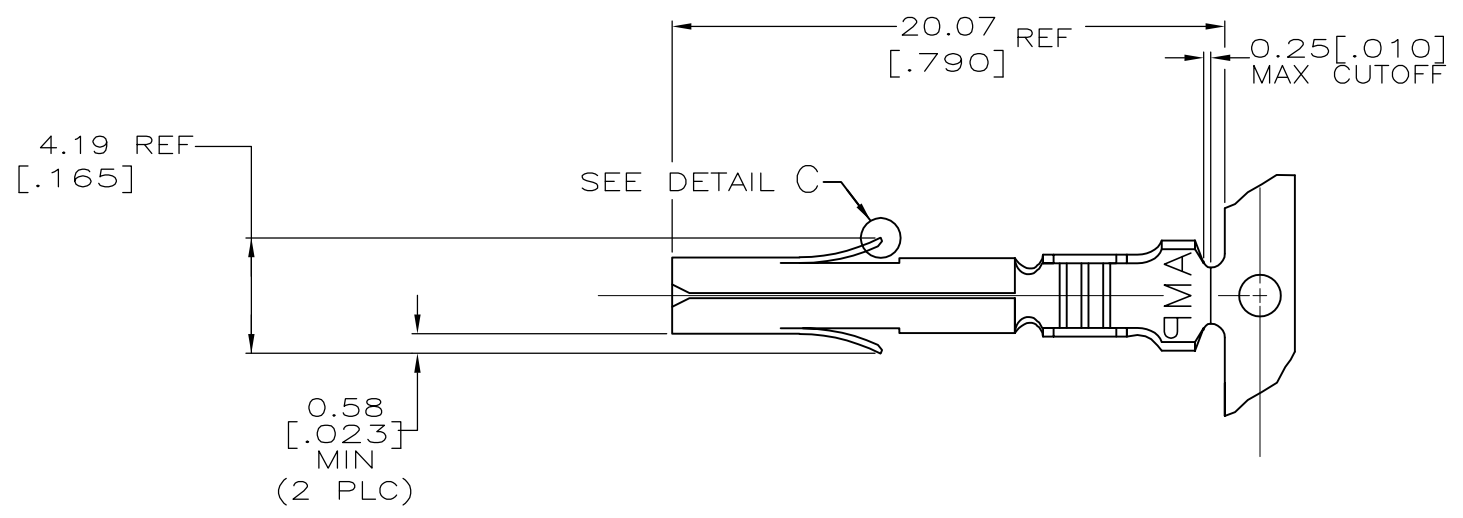
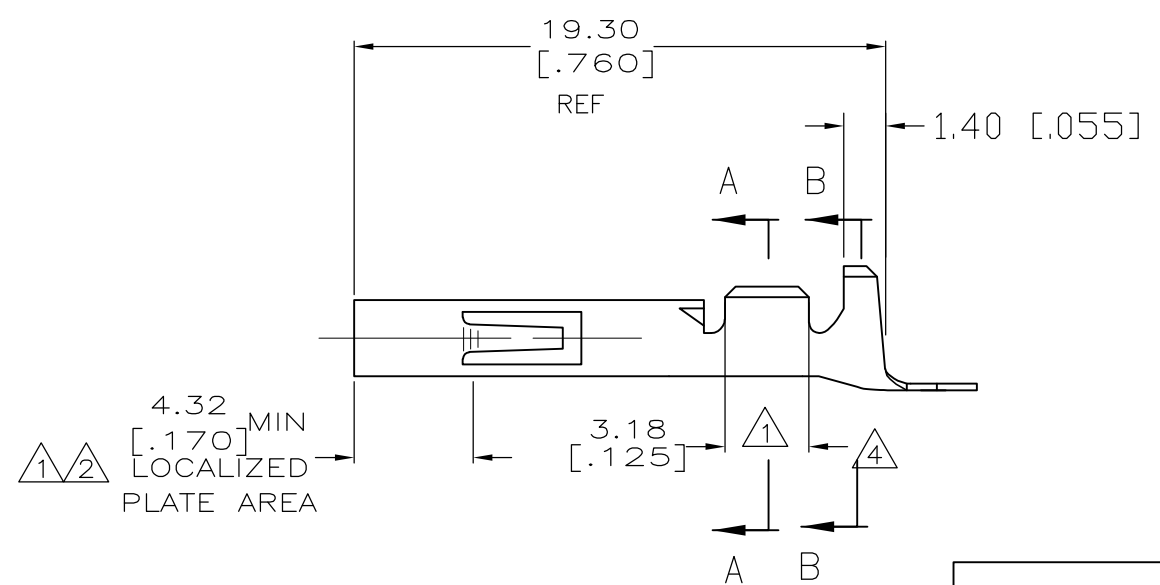
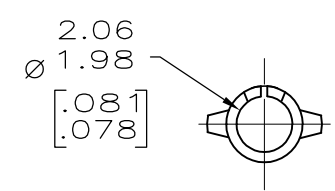
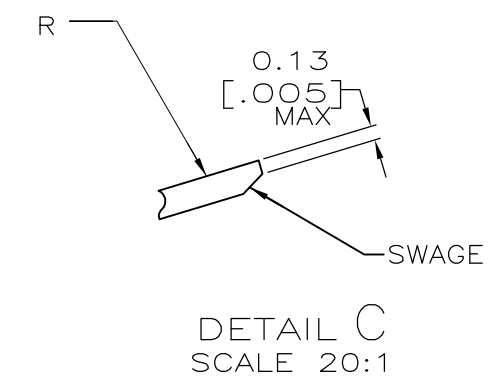


THIS DRAWING IS UNPUBLISHED. RELEASED FOR PUBLICATION  
 © COPYRIGHT - By - ALL RIGHTS RESERVED.

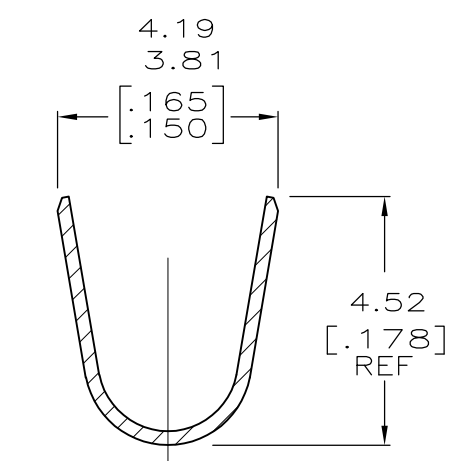
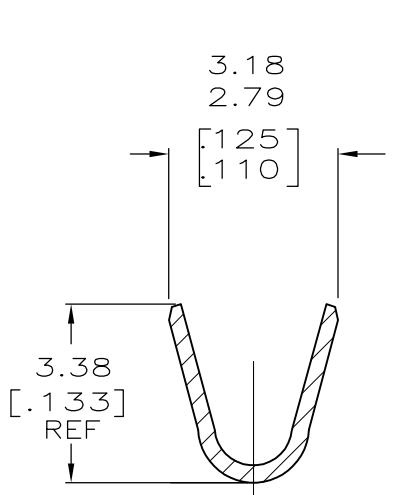
| LOC | DIST | REVISIONS   |                           |         |        |
|-----|------|-------------|---------------------------|---------|--------|
| P   | LTR  | DESCRIPTION | DATE                      | DWN     | APVD   |
| CM  | 00   | AC2         | REVISED PER ECO-11-004587 | 11MAR11 | RK HMR |



- ① 0.00076[.000030] THK GOLD OVER NICKEL ON INSIDE OF RECEPTACLE AND WIRE BARREL; REMAINDER OF CONTACT IS NICKEL PLATED.
- ② 0.00076[.000030] THK GOLD ON INSIDE OF RECEPTACLE; REMAINDER OF CONTACT IS NICKEL PLATED.
- 3. DIMENSIONS IN BRACKETS ARE IN INCHES.
- ④ PRELIMINARY, NOT FOR PRODUCTION.
- ⑤ OBSOLETE PARTS: OBSOLETE CIS STREAMLINING PER D.RENAUD/D.SINISI



| FINISH            | APPLICATOR TYPE | MATERIAL          | PART NUMBER |
|-------------------|-----------------|-------------------|-------------|
| TIN               | -               | 0.30 [.012] BE CU | 1-350536-0  |
| TIN               | STANDARD        | 0.30 [.012] PH BZ | -350536-9-  |
| GOLD ②            | MINI            | 0.30 [.012] BRASS | 350536-7    |
| GOLD ②            | MINI            | 0.30 [.012] PH BZ | 350536-6    |
| TIN               | MINI            | 0.30 [.012] PH BZ | 350536-3    |
| GOLD ①            | MINI            | 0.30 [.012] BRASS | 350536-2    |
| TIN               | MINI            | 0.30 [.012] BRASS | 350536-1    |
| LOOSE PIECE (REF) |                 |                   |             |



THIS DRAWING IS A CONTROLLED DOCUMENT.

|                           |   |                  |              |            |               |
|---------------------------|---|------------------|--------------|------------|---------------|
| DWN K. WHITAKER 07NOV2003 | <br>TE Connectivity<br>SOCKET,<br>UNIVERSAL MATE-N-LOK™ | SIZE             | CAGE CODE    | DRAWING NO | RESTRICTED TO |
| CHK S. RIDGILL 07-NOV-03  |   | A3               | 00779        | C-350536   | -             |
| APVD S. RIDGILL 07-NOV-03 |   | CUSTOMER DRAWING |              |            |               |
| PRODUCT SPEC              |   | SCALE 1:5        | SHEET 1 OF 1 | REV AC2    |               |