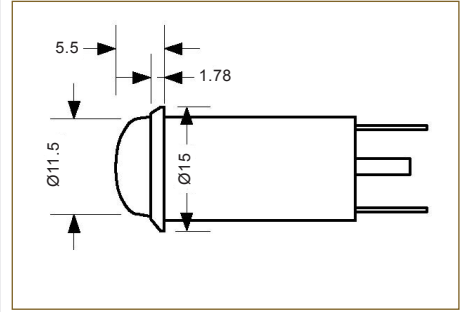


504 05 series

Product overview

- Snap-fit body for panel thicknesses 0.5-3.5mm, panel cut-out 13mm diameter
- 6.3mm quick-connect terminals as standard
- Neons 240V 0.8mA, as standard
- Polycarbonate lens/body and brushed chrome bezel
- Maximum working temperature 105°C
- Red, green, amber lens colour options as standard



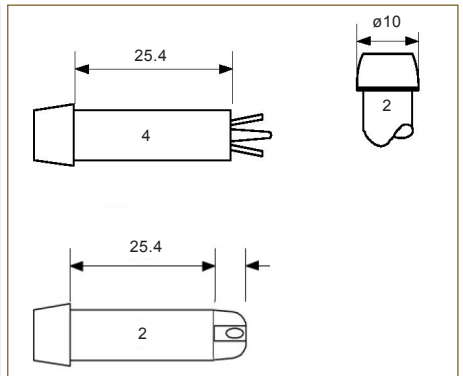
PART NO.	IND504	X	XX-	XXX-	T/	XXX
504 series indicator	504					
Lens type	2					
6.3mm quick-connect terminal	03					
Neon 240V 0.8mA, red wire	240					
Transparent lens	T					
Lens colour: red	RED					
Lens colour: green	GRN					
Lens colour: amber	AMB					

E.g. IND504203-240-T/RED - 240V red

503 A series

Product overview

- Press fit body for various panel thicknesses, panel cut-out 8mm diameter
- Available with solder tags and wire termination
- Operating life 50,000 hours
- Polycarbonate lens/body and brushed chrome bezel
- Maximum working temperature 80°C
- Red, green, amber lens colour options as standard
- Custom wire lengths and specification to order
- Removable collar fits to rear of panel for improved retention



PART NO.	IND503	X	X-	XXX-	T/	XXX
503 series indicator	503					
Lens cylinder curved sides	2					
Stripped wire 280mm long	4					
Solder tag termination	2					
LED, neon-replacement, 240V 1mA	LED2					
Neon 125V 1mA, blue wire	125					
Neon 240V 0.8mA, red wire	240					
Transparent lens	T					
Lens colour: red	RED					
Lens colour: green	GRN					
Lens colour: amber	AMB					

E.g. IND50324-LED2-T/AMB - Curved lens, stripped wire termination, LED, amber