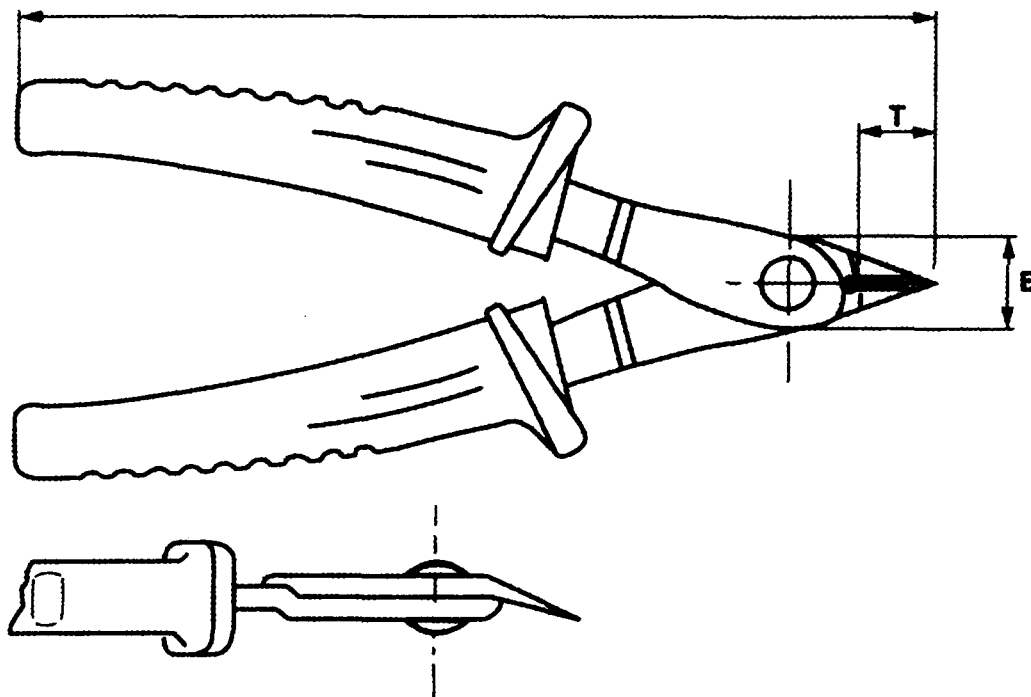




Technical Library

RS Stock No
609-988



220/DP Tool specifically designed for the double bending of ductile wires and electronic terminals.

GR	L	T	B
66	132	12	15

