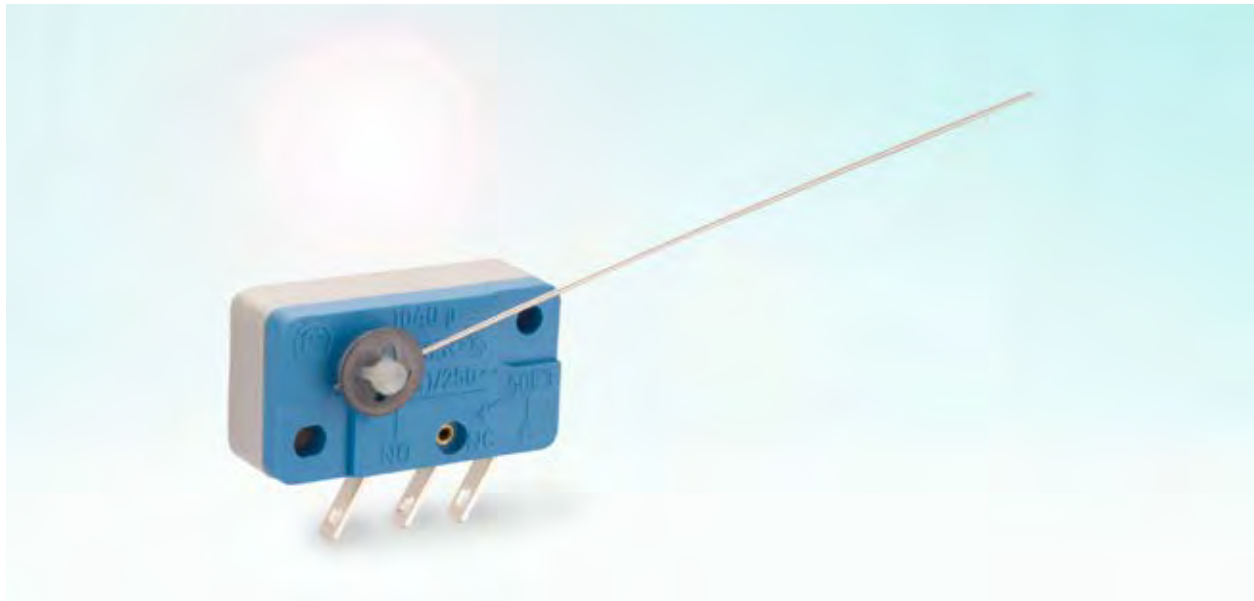




# SERIES 1040 - ROTARY SHAFT SNAP-ACTION SWITCHES

TO 4 (1) A 250 V AC



## PRODUCT FEATURES

- Extremely low switching torques
- Spring steel auxiliary actuators which are easily adaptable to customer-specific installation conditions

## ON REQUEST

- Other auxiliary actuators
- Normally open contact version

<b>Mechanical life endurance</b>	5E6
<b>Contact resistance (new condition)</b>	< 100 mOhm (1 A 12 V DC)
<b>Insulation resistance (new condition)</b>	> 100 MOhm (500 V DC)
<b>Proof tracking</b>	250 PTI
<b>Protection type</b>	IP 40 actuator side IP 00 terminal side
<b>Ambient temperature</b>	-35 °C ... +85 °C
<b>Flammability</b>	UL 94 V-2
<b>Glow wire test temperature</b>	850 °C
<b>Material</b>	actuator additional actuator housing terminals
	PA glass fiber-reinforced stainless steel spring steel PA glass fiber-reinforced / PETP silver plated
<b>Contact distance</b>	< 3 mm
<b>Approval marks</b>	
<b>Suitable for appliances of protection class II under compliance with the installation conditions required on the equipment side</b>	


ROCKER SWITCHES  
 PUSHBUTTON SWITCHES  
 TOGGLE SWITCHES  
 SLIDE SWITCHES  
 ROTARY SWITCHES  
 FOOT SWITCHES  
 TACT AND KEY SWITCHES  
 SNAP-ACTION SWITCHES  
 MICRO-SIGNAL SWITCHES  
 SENSORS  
 ECO  
 PUSH N' DRIVE



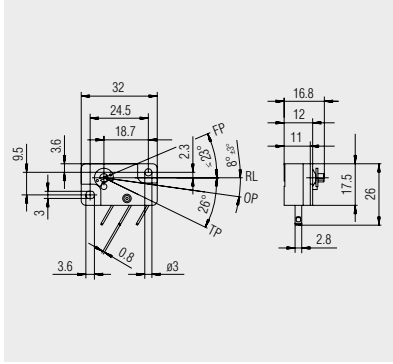
# SERIES 1040 - ROTARY SHAFT SNAP-ACTION SWITCHES

TO 4 (1) A 250 V AC


	4 (1) A 250 V AC 5E4	Terminal type	Terminal description	Contact material	Stock version
<b>Changeover switch (SPDT momentary)</b>					
1040.0111	○		2.8	Ag	○
1040.0114	○		2.8	Ag	○
1040.0301	○		2.8	Au	



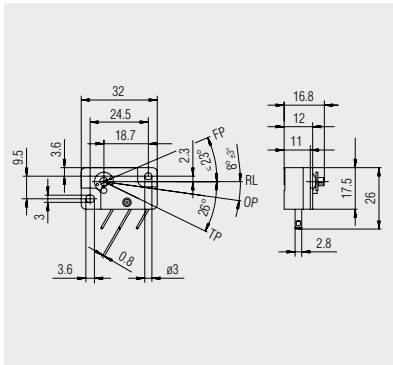
1040.0111




Enclosed loose: actuating lever 80 long, diameter 0.6 mm made of stainless spring steel and fastening disc  
 FP: free position  $\leq 23^\circ$   
 OP: operating position  $8^\circ \pm 3^\circ$   
 TP: permissible total travel position  $26^\circ$   
 Pretravel angle max.  $34^\circ$   
 Overtravel angle min.  $15^\circ$   
 Difference angle  $5^\circ-15^\circ$   
 Switch actuating torque 0.6-0.9 Nmm  
 End actuating torque min. 0.2 Nmm  
 Reset torque min 0.15 Nmm



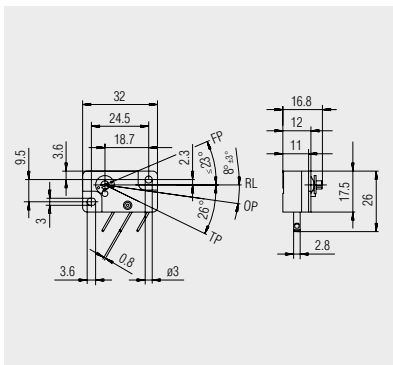
1040.0114



Enclosed loose: actuating lever 80 long, diameter 0.6 mm made of stainless spring steel and fastening disc  
 FP: free position  $\leq 23^\circ$   
 OP: operating position  $8^\circ \pm 3^\circ$   
 TP: permissible total travel position  $26^\circ$   
 Pretravel angle max.  $34^\circ$   
 Overtravel angle min.  $15^\circ$   
 Difference angle  $5^\circ-15^\circ$   
 Switch actuating torque 0.9-1.7 Nmm  
 End actuating torque min. 0.2 Nmm  
 Reset torque min. 0.15 Nmm

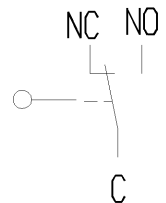
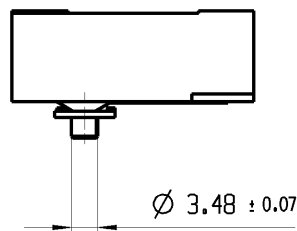
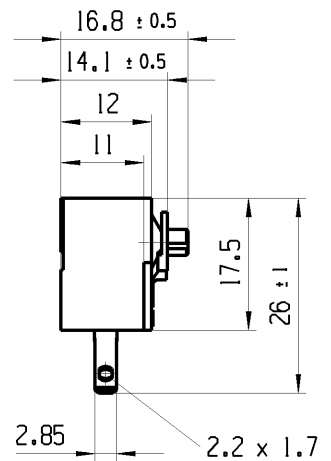
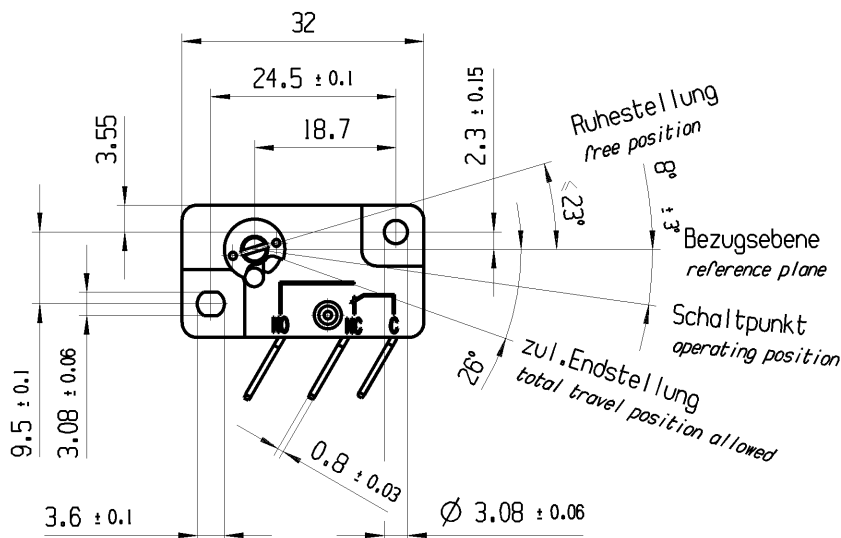


1040.0301



Without lever and fastening disc  
 FP: free position  $\leq 23^\circ$   
 OP: operating position  $8^\circ \pm 3^\circ$   
 TP: permissible total travel position  $46^\circ$   
 Pretravel angle max.  $34^\circ$   
 Overtravel angle min.  $35^\circ$   
 Difference angle  $5^\circ-15^\circ$   
 Switch actuating torque 0.6-0.9 Nmm  
 End actuating torque  $\geq 0$  Nmm  
 Reset torque  $\geq 0$  Nmm

ROCKERSWITCHES  
 PUSHBUTTON SWITCHES  
 TOGGLE SWITCHES  
 SLIDE SWITCHES  
 ROTARY SWITCHES  
 FOOT SWITCHES  
 TACT AND KEY SWITCHES  
 SNAP-ACTION SWITCHES  
 MICRO-SIGNAL SWITCHES  
 SENSORS  
 ECO  
 PUSH'DRIVE



Aufschrift  
marking



1040  $\mu$   
4(11)/250 ~ 50E3 T85



Wechsler 1-polig  
single pole changeover

Schalt-Betaetigungsmoment 0.9 bis 1.7 Nmm  
actuating moment up to

End-Betaetigungsmoment  $\geq 0.2$  Nmm  
end moment

Differenzwinkel 5° bis 15°  
differential angle up to

Schalthebel  $\varnothing 0.6 \times 80$  und Befestigungsscheibe lose  
gear lever  $\varnothing 0.6 \times 80$  and mounting plate not fixed

fuer Form und Lage FOR SHAPE AND LOC.	⊙ =	Allgemeintoleranzen UNTOLERANCED DIMENSIONS				Pause COPY	Blatt SHEET 01	TYP K	Zeichn./DRAWING NO. 10400114	Index a
	fuer Winkel FOR ANGLE. ± 2	PROJEKTION	Abmasse und Nennmassbereiche Angaben in mm	Laenge LENGTH	Radial RADII					
			ALL DIMENSIONS ARE IN MILLIMETRES	0-6 ± 0.2 ± 0.2	>6-15 ± 0.4 ± 0.4	SCHNAPPSCHALTER				
				>15-30 ± 0.4 ± 0.4	>30-70 ± 0.6 ± 0.4	snap action switch				
				>70-120 ± 0.4 ± 0.4	>120 ± 0.4 ± 0.4	CAD: NX V6.0				
a	86288	10.12.13	BRC			gez./DRAWN BY 28.10.13 JHE		Ersatz fuer/REPLACEMENT OF Zg.g.l.Nr.v.24.03.1998		
		24.03.98				gepr./CHECKED BY				
Ausg. ISSUE	Aenderung REVISION	gez. DRAWN BY	Ausg. ISSUE	Aenderung REVISION	gez. DRAWN BY	MARQUARDT				