

**M12 Power L-coded female receptacle front mount**

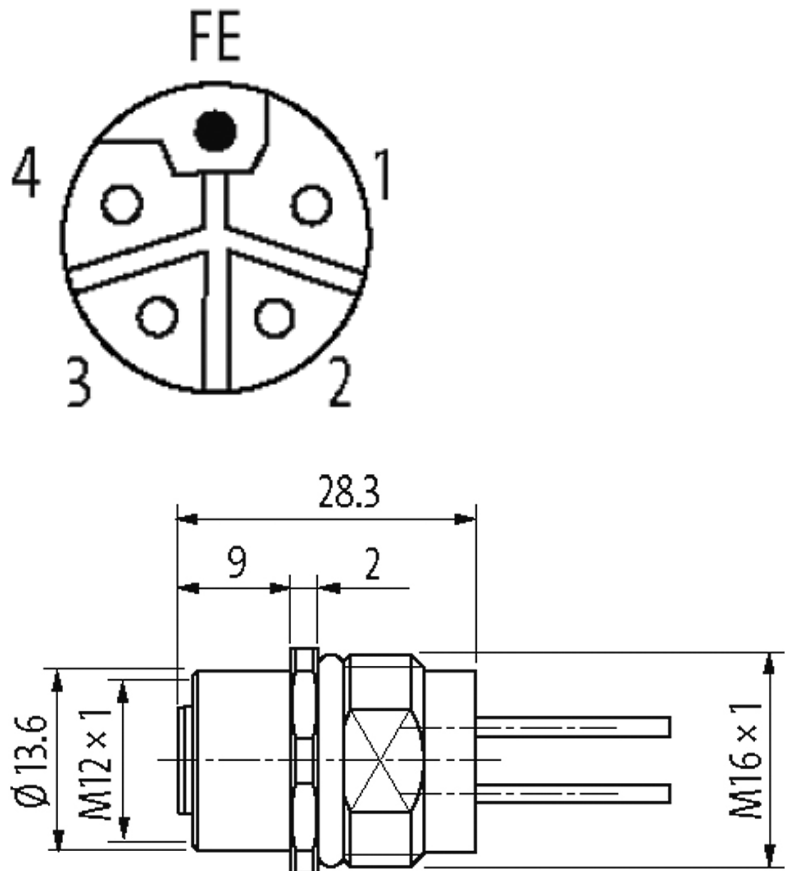
wires PUR 5x1.5 0,5m

Flange female  
M12, 5-pole  
L-coded  
Front mounting  
with multi-strand wire

The resistance to aggressive media should be individually tested for your application.  
Further details on request. Further cable lengths on request.

[Link to Product](#)**Illustration**

## Female



Product may differ from Image

**Form**

Form P4291

**Cables**

Cable number	980
No./diameter of wires	5 × 1.5 mm <sup>2</sup>
Wire isolation	PUR
Bend radius (fixed)	7.5 × outer Ø
Bend radius (moving)	10 × outer Ø
Temperature range (fixed)	-40...+90 °C
Temperature range (mobile)	-25...+90 °C
Shielded	no

**Technical Data**

Operating voltage	max. 63 V AC/DC
Rated surge voltage	1.5 kV
Operating current per contact	max. 16 A
Material group	IEC 60664-1, category I
Coding	L-coded

Locking of ports	Screw thread M12 × 1 mm (recommended torque 0.6 Nm) self-securing
Compression gland	Flange (SW17)
Protection	IP65 and IP67 when plugged and screwed down (EN 60529)
Locking material	Brass, nickel plated
suitable for corrugated tube (internal Ø)	without
Housing	Brass, nickel plated

**General data**

Pollution Degree	3
Mounting set	Screw thread M16 × 1.5 mm (mounting nut)
Temperature range	-25...+85 °C, depending on cable quality
Material (gasket)	FKM

**Commercial data**

country of origin	DE
customs tariff number	85444290
EAN	4048879636230
eClass	27279221
minimum order quantity	1