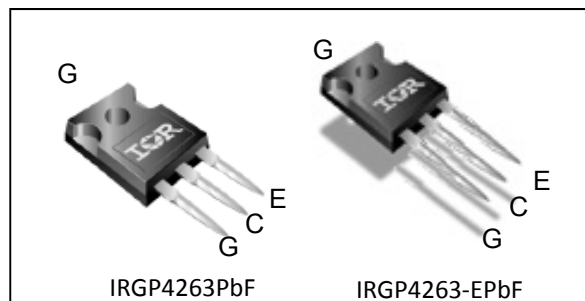
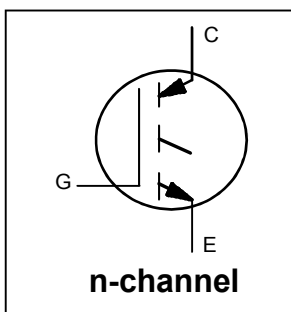


*Insulated Gate Bipolar Transistor*

$V_{CES} = 650V$
$I_C = 54A, T_C = 100^\circ C$
$t_{SC} \geq 5.5\mu s, T_{J(max)} = 175^\circ C$
$V_{CE(ON)} \text{ typ.} = 1.7V @ I_C = 48A$



G	C	E
Gate	Collector	Emitter

**Applications**

- Industrial Motor Drive
- Inverters
- UPS
- Welding

Features	Benefits
Low $V_{CE(ON)}$ and switching losses	High efficiency in a wide range of applications and switching frequencies
Square RBSOA and maximum junction temperature $175^\circ C$	Improved reliability due to rugged hard switching performance and higher power capability
Positive $V_{CE(ON)}$ temperature coefficient	Excellent current sharing in parallel operation
$5.5\mu s$ short circuit SOA	Enables short circuit protection scheme
Lead-free, RoHS compliant	Environmentally friendly

Base part number	Package Type	Standard Pack		Orderable Part Number
		Form	Quantity	
IRG7P4263PbF	TO-247AC	Tube	25	IRGP4263PbF
IRG7P4263-EPbF	TO-247AD	Tube	25	IRGP4263-EPbF

**Absolute Maximum Ratings**

	Parameter	Max.	Units
$V_{CES}$	Collector-to-Emitter Voltage	650	V
$I_C @ T_C = 25^\circ C$	Continuous Collector Current	90	A
$I_C @ T_C = 100^\circ C$	Continuous Collector Current	60	
$I_{CM}$	Pulse Collector Current, $V_{GE}=20V$	192	
$I_{LM}$	Clamped Inductive Load Current, $V_{GE}=20V$ ①	192	
$V_{GE}$	Continuous Gate-to-Emitter Voltage	$\pm 20$	
$P_D @ T_C = 25^\circ C$	Maximum Power Dissipation	300	W
$P_D @ T_C = 100^\circ C$	Maximum Power Dissipation	150	
$T_J$	Operating Junction and	-40 to +175	C
$T_{STG}$	Storage Temperature Range		
	Soldering Temperature, for 10 sec.		
	Mounting Torque, 6-32 or M3 Screw	10 lbf-in (1.1 N·m)	

**Thermal Resistance**

	Parameter	Min.	Typ.	Max.	Units
$R_{\theta JC}$ (IGBT)	Thermal Resistance Junction-to-Case-(each IGBT) ②	—	—	0.5	$^\circ C/W$
$R_{\theta CS}$	Thermal Resistance, Case-to-Sink (flat, greased surface)	—	0.24	—	
$R_{\theta JA}$	Thermal Resistance, Junction-to-Ambient (typical socket mount)	—	40	—	

**Electrical Characteristics @  $T_J = 25^\circ\text{C}$  (unless otherwise specified)**

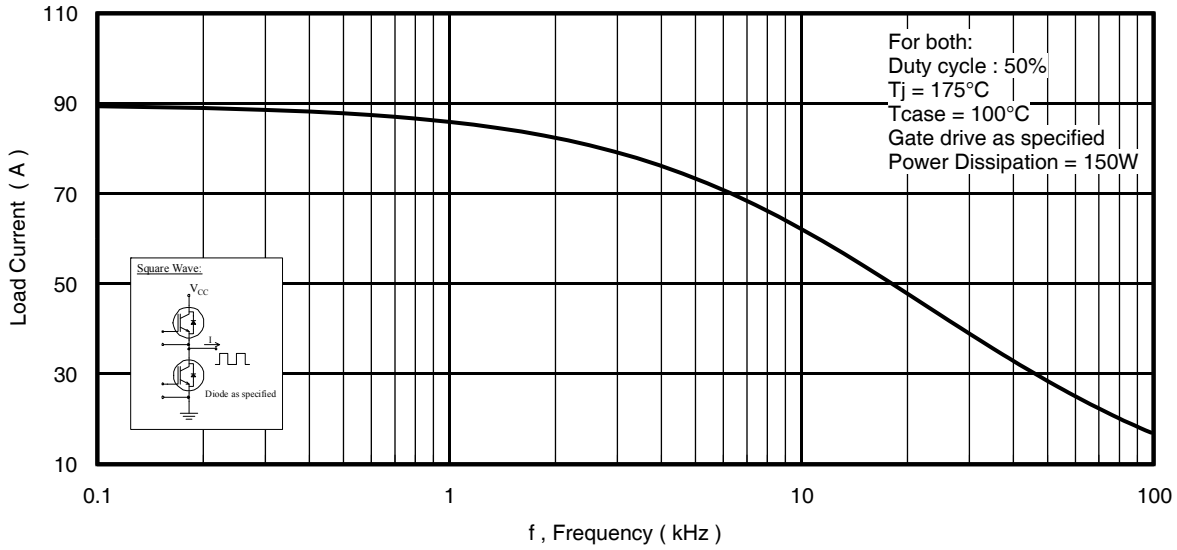
	Parameter	Min.	Typ.	Max.	Units	Conditions
$V_{(BR)CES}$	Collector-to-Emitter Breakdown Voltage	650	—	—	V	$V_{GE} = 0V, I_C = 100\mu\text{A}$ ③
$\Delta V_{(BR)CES}/\Delta$	Temperature Coeff. of Breakdown Voltage	—	505	—	mV/°C	$V_{GE} = 0V, I_C = 1\text{mA}$ (25°C-175°C)
$V_{CE(on)}$	Collector-to-Emitter Saturation Voltage	—	1.7	2.1	V	$I_C = 48\text{A}, V_{GE} = 15\text{V}, T_J = 25^\circ\text{C}$
		—	2.1	—		$I_C = 48\text{A}, V_{GE} = 15\text{V}, T_J = 175^\circ\text{C}$
$V_{GE(th)}$	Gate Threshold Voltage	5.5	—	7.7	V	$V_{CE} = V_{GE}, I_C = 1.4\text{mA}$
$\Delta V_{GE(th)}/\Delta T_J$	Threshold Voltage Temperature Coeff.	—	-23	—	mV/°C	$V_{CE} = V_{GE}, I_C = 1.4\text{mA}$ (25°C-175°C)
$g_{fe}$	Forward Transconductance	—	31	—	S	$V_{CE} = 50\text{V}, I_C = 48\text{A}, \text{PW} = 20\mu\text{s}$
$I_{CES}$	Collector-to-Emitter Leakage Current	—	1.0	25	$\mu\text{A}$	$V_{GE} = 0V, V_{CE} = 650\text{V}$
		—	700	—		$V_{GE} = 0V, V_{CE} = 650\text{V}, T_J = 175^\circ\text{C}$
$I_{GES}$	Gate-to-Emitter Leakage Current	—	—	±100	nA	$V_{GE} = \pm 20\text{V}$

**Switching Characteristics @  $T_J = 25^\circ\text{C}$  (unless otherwise specified)**

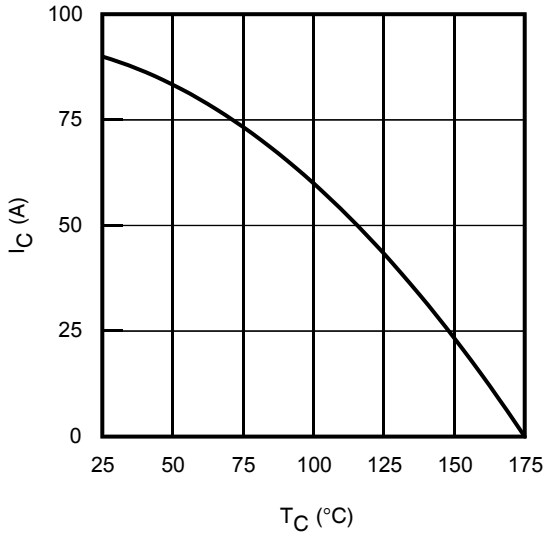
	Parameter	Min.	Typ.	Max④	Units	Conditions	
$Q_g$	Total Gate Charge (turn-on)	—	100	150	nC	$I_C = 48\text{A}$ $V_{GE} = 15\text{V}$ $V_{CC} = 600\text{V}$	
$Q_{ge}$	Gate-to-Emitter Charge (turn-on)	—	30	50			
$Q_{gc}$	Gate-to-Collector Charge (turn-on)	—	40	60			
$E_{on}$	Turn-On Switching Loss	—	1.7	2.6	mJ	$I_C = 48\text{A}, V_{CC} = 400\text{V}, V_{GE} = 15\text{V}$ $R_G = 10\Omega, L = 210\mu\text{H}, T_J = 25^\circ\text{C}$ Energy losses include tail & diode reverse recovery ⑤⑥	
$E_{off}$	Turn-Off Switching Loss	—	1.0	1.9			
$E_{total}$	Total Switching Loss	—	2.7	4.5			
$t_{d(on)}$	Turn-On delay time	—	70	90	ns		
$t_r$	Rise time	—	60	80			
$t_{d(off)}$	Turn-Off delay time	—	140	160			
$t_f$	Fall time	—	30	50			
$E_{on}$	Turn-On Switching Loss	—	2.9	—	mJ		$I_C = 48\text{A}, V_{CC} = 400\text{V}, V_{GE} = 15\text{V}$ $R_G = 10\Omega, L = 210\mu\text{H}, T_J = 175^\circ\text{C}$ Energy losses include tail & diode reverse recovery ⑤⑥
$E_{off}$	Turn-Off Switching Loss	—	1.4	—			
$E_{total}$	Total Switching Loss	—	4.3	—			
$t_{d(on)}$	Turn-On delay time	—	55	—	ns		
$t_r$	Rise time	—	60	—			
$t_{d(off)}$	Turn-Off delay time	—	145	—			
$t_f$	Fall time	—	65	—			
$C_{ies}$	Input Capacitance	—	3000	—	pF	$V_{GE} = 0\text{V}$ $V_{CC} = 30\text{V}$ $f = 1.0\text{MHz}$	
$C_{oes}$	Output Capacitance	—	150	—			
$C_{res}$	Reverse Transfer Capacitance	—	80	—			
RBSOA	Reverse Bias Safe Operating Area	FULL SQUARE				$T_J = 175^\circ\text{C}, I_C = 192\text{A}$ $V_{CC} = 520\text{V}, V_p \leq 650\text{V}$ $R_g = 10\Omega, V_{GE} = +20\text{V to } 0\text{V}$	
SCSOA	Short Circuit Safe Operating Area	5.5	—	—	$\mu\text{s}$	$T_J = 150^\circ\text{C}, V_{CC} = 400\text{V}, V_p \leq 650\text{V}$ $R_g = 10\Omega, V_{GE} = +15\text{V to } 0\text{V}$	

**Notes:**

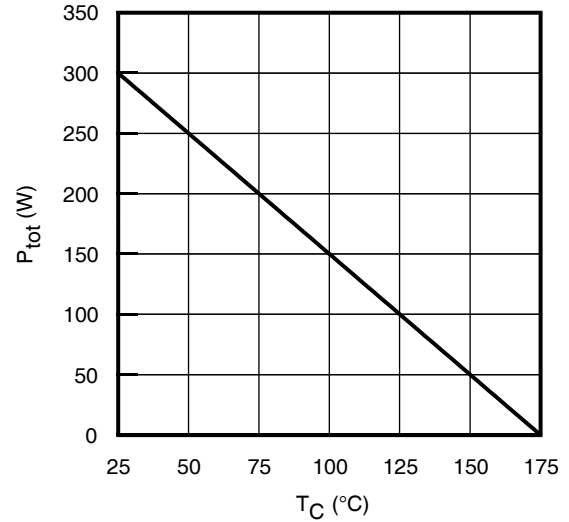
- ①  $V_{CC} = 80\% (V_{CES}), V_{GE} = 20\text{V}, L = 50\mu\text{H}, R_G = 10\Omega$ .
- ②  $R_\theta$  is measured at  $T_J$  of approximately  $90^\circ\text{C}$ .
- ③ Refer to AN-1086 for guidelines for measuring  $V_{(BR)CES}$  safely.
- ④ Maximum limits are based on statistical sample size characterization.
- ⑤ Pulse width limited by max. junction temperature.
- ⑥ Values influenced by parasitic L and C in measurement.



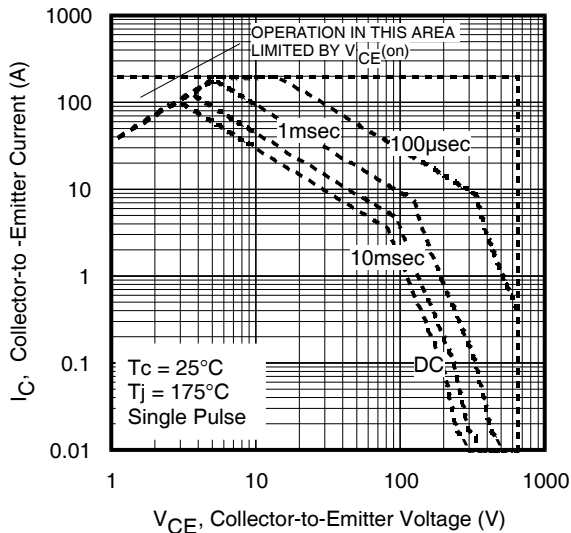
**Fig. 1 - Typical Load Current vs. Frequency**  
(Load Current =  $I_{RMS}$  of fundamental)



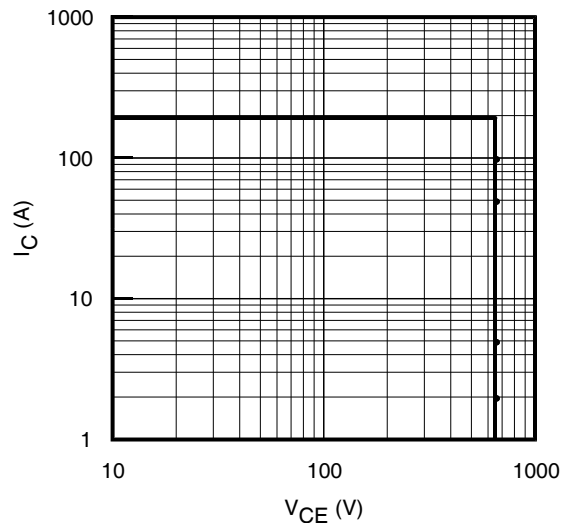
**Fig. 2 - Maximum DC Collector Current vs. Case Temperature**



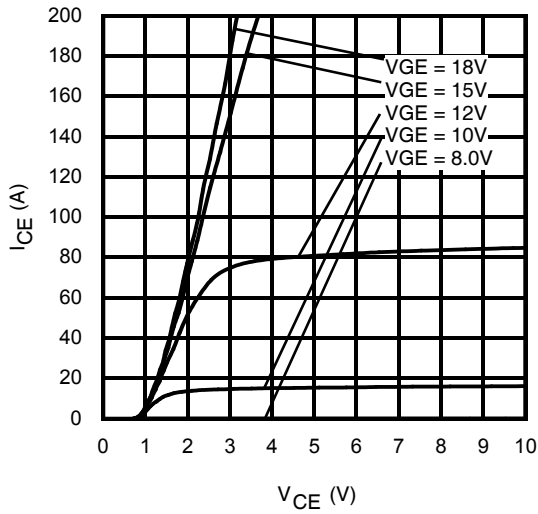
**Fig. 3 - Power Dissipation vs. Case Temperature**



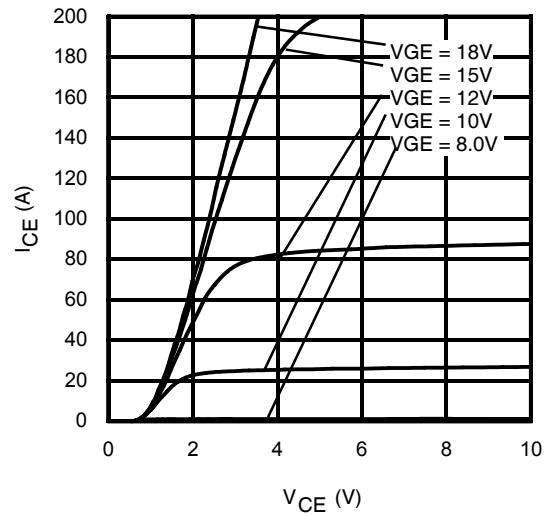
**Fig. 4 - Forward SOA**  
 $T_C = 25^\circ\text{C}$ ,  $T_J \leq 175^\circ\text{C}$ ,  $V_{GE} = 15\text{V}$



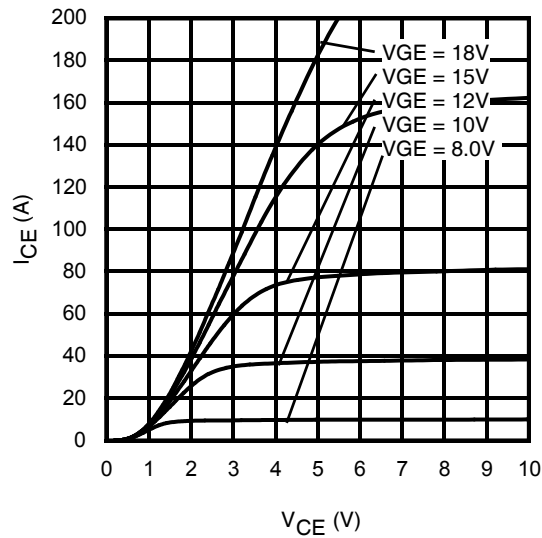
**Fig. 5- Reverse Bias SOA**  
 $T_J = 175^\circ\text{C}$ ;  $V_{GE} = 20\text{V}$



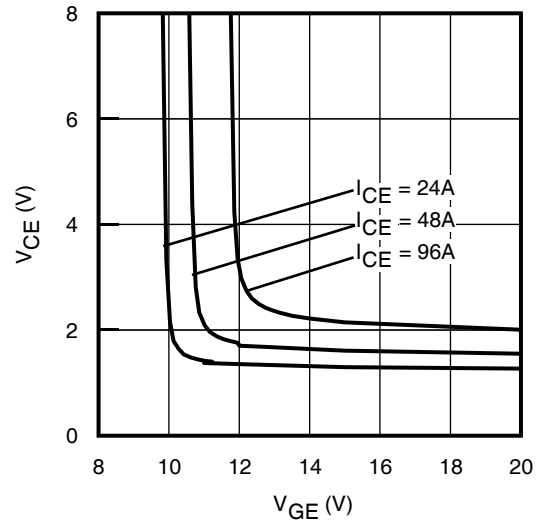
**Fig. 6 - Typ. IGBT Output Characteristics**  
 $T_J = -40^\circ\text{C}; t_p = 20\mu\text{s}$



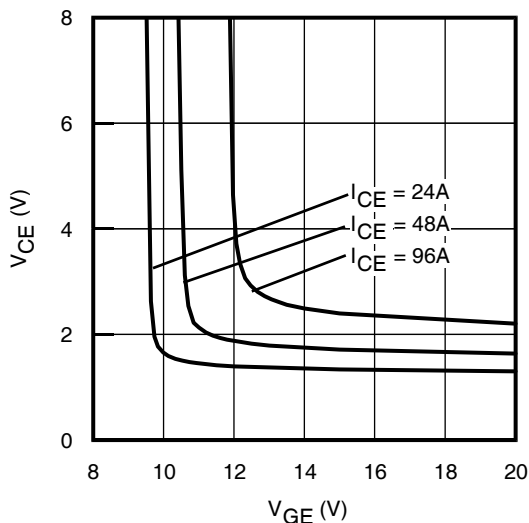
**Fig. 7 - Typ. IGBT Output Characteristics**  
 $T_J = 25^\circ\text{C}; t_p = 20\mu\text{s}$



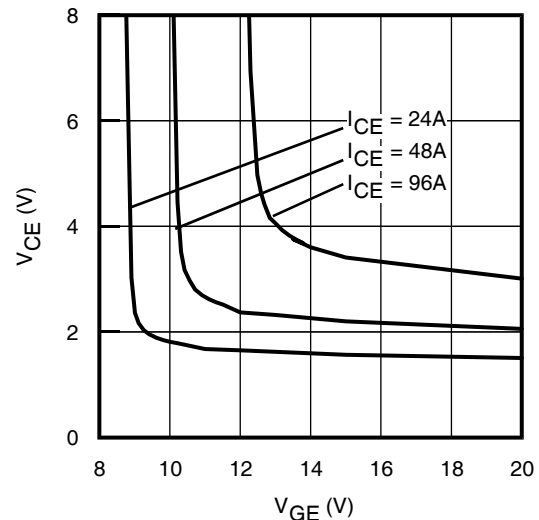
**Fig. 8 - Typ. IGBT Output Characteristics**  
 $T_J = 175^\circ\text{C}; t_p = 20\mu\text{s}$



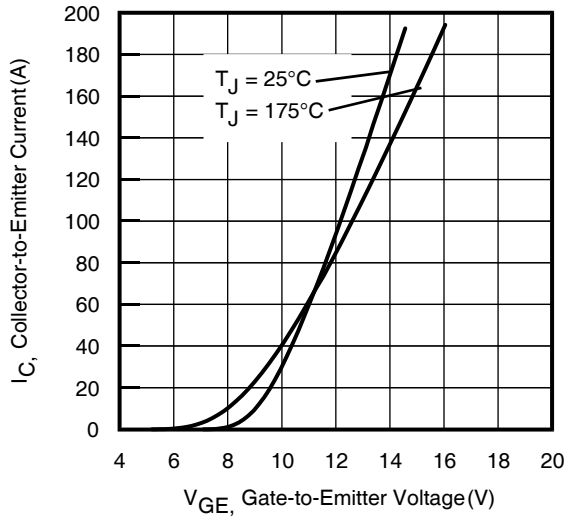
**Fig. 9 - Typical  $V_{CE}$  vs.  $V_{GE}$**   
 $T_J = -40^\circ\text{C}$



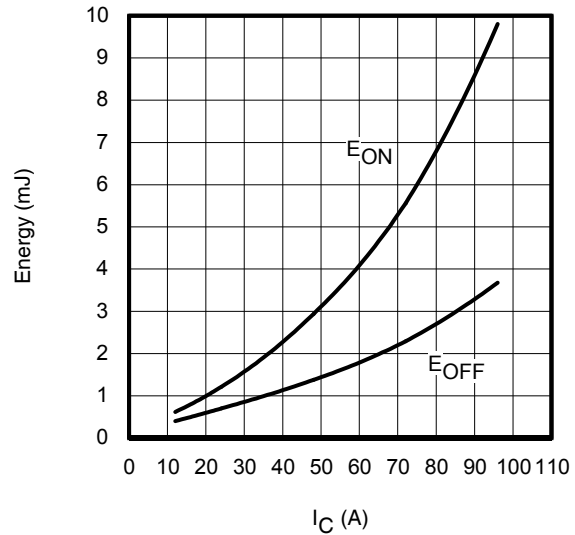
**Fig. 10 - Typical  $V_{CE}$  vs.  $V_{GE}$**   
 $T_J = 25^\circ\text{C}$



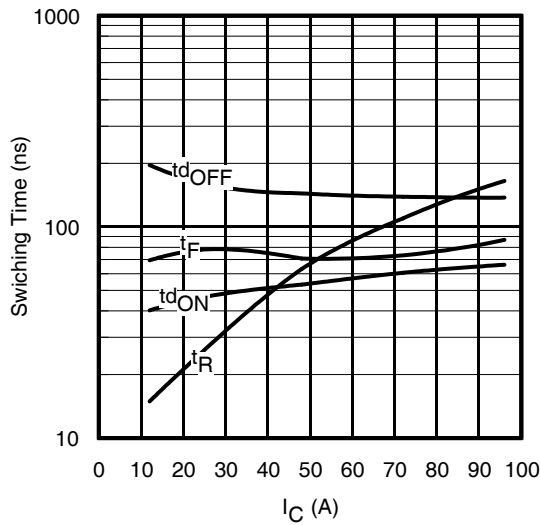
**Fig. 11 - Typical  $V_{CE}$  vs.  $V_{GE}$**   
 $T_J = 175^\circ\text{C}$



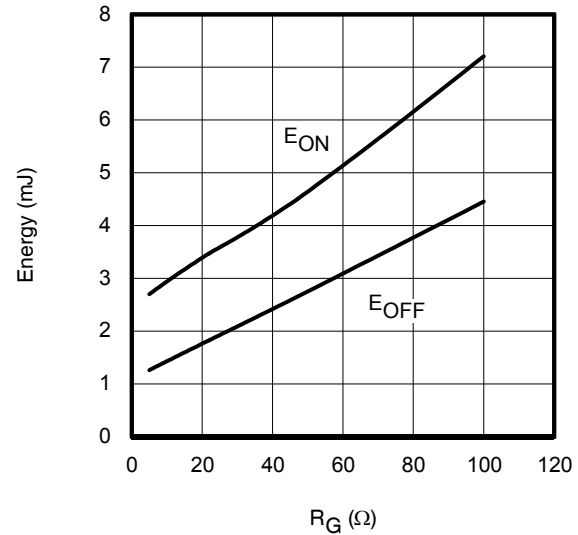
**Fig. 12 - Typ. Transfer Characteristics**  
 $V_{CE} = 50V$ ;  $t_p = 20\mu s$



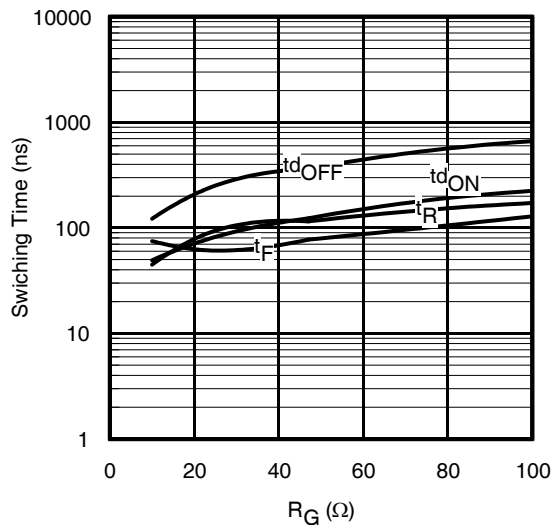
**Fig. 13 - Typ. Energy Loss vs.  $I_C$**   
 $T_J = 175^\circ C$ ;  $L = 0.210mH$ ;  $V_{CE} = 400V$ ,  $R_G = 10\Omega$ ;  $V_{GE} = 15V$



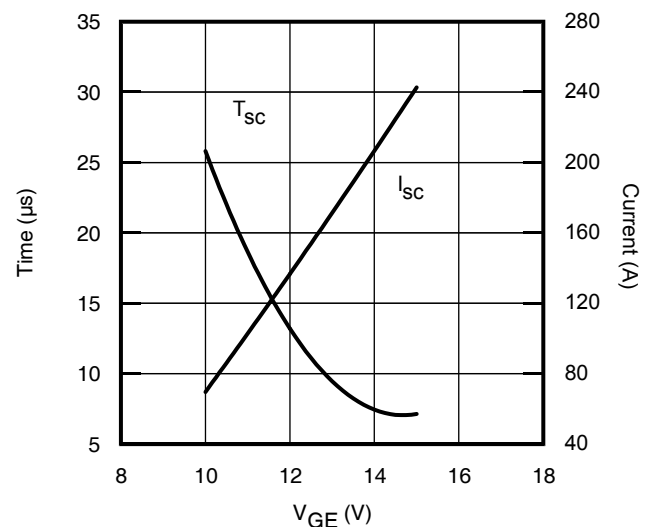
**Fig. 14 - Typ. Switching Time vs.  $I_C$**   
 $T_J = 175^\circ C$ ;  $L = 0.210mH$ ;  $V_{CE} = 400V$ ,  $R_G = 10\Omega$ ;  $V_{GE} = 15V$



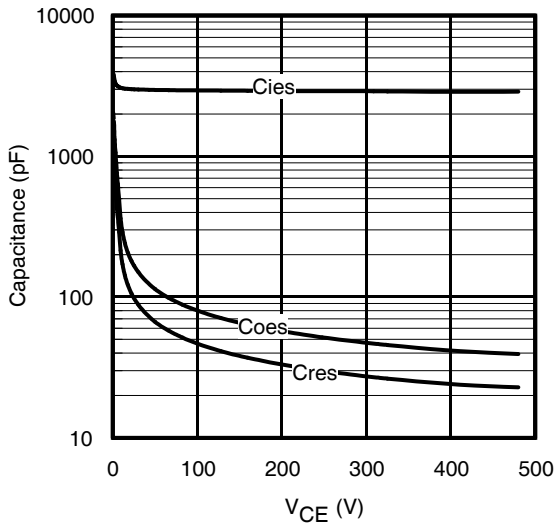
**Fig. 15 - Typ. Energy Loss vs.  $R_G$**   
 $T_J = 175^\circ C$ ;  $L = 0.210mH$ ;  $V_{CE} = 400V$ ,  $I_{CE} = 48A$ ;  $V_{GE} = 15V$



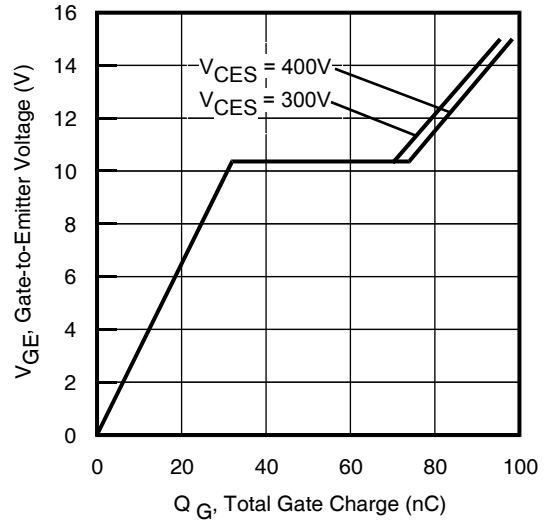
**Fig. 16 - Typ. Switching Time vs.  $R_G$**   
 $T_J = 175^\circ C$ ;  $L = 0.210mH$ ;  $V_{CE} = 400V$ ,  $I_{CE} = 48A$ ;  $V_{GE} = 15V$



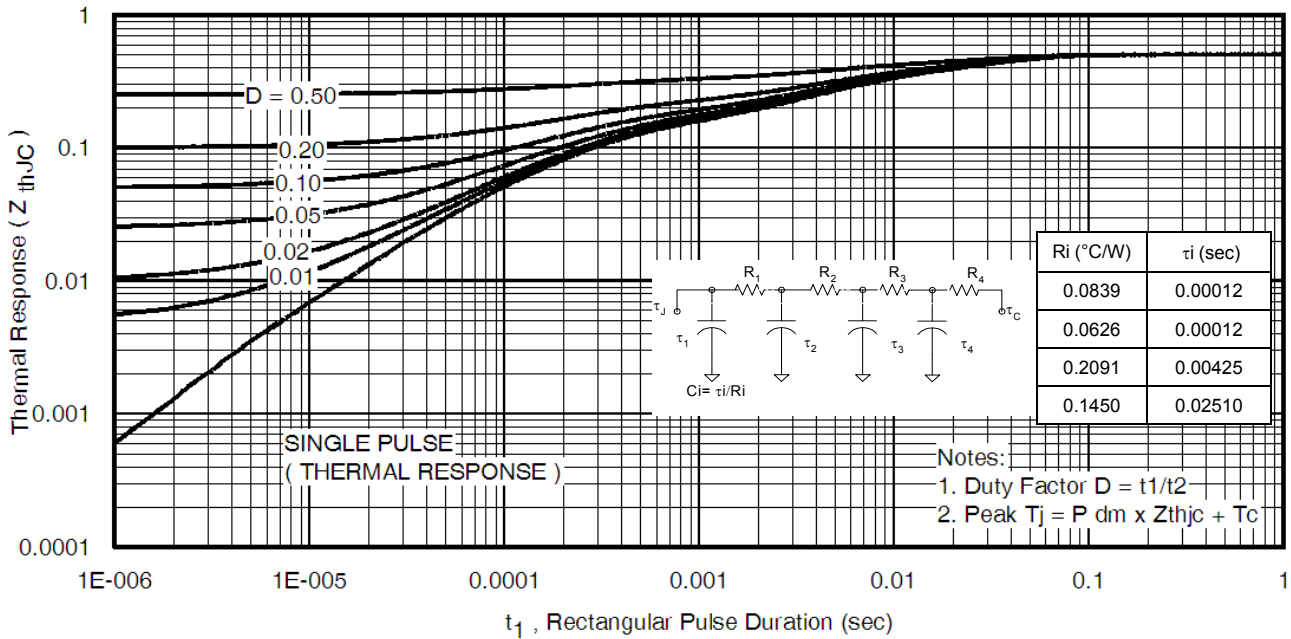
**Fig. 17 -  $V_{CE}$  vs. Short Circuit Time**  
 $V_{CC} = 400V$ ;  $T_C = 150^\circ C$



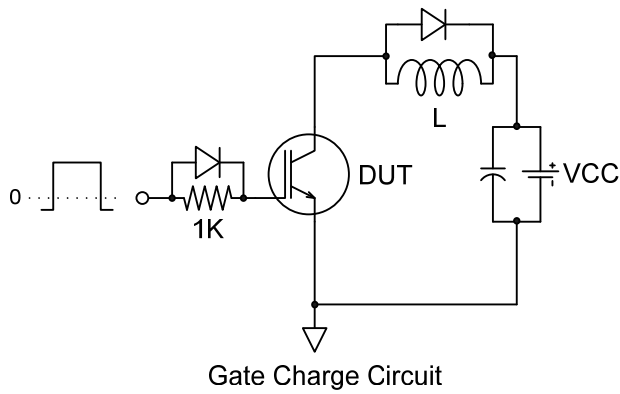
**Fig. 18** - Typ. Capacitance vs.  $V_{CE}$   
 $V_{GE} = 0V$ ;  $f = 1MHz$



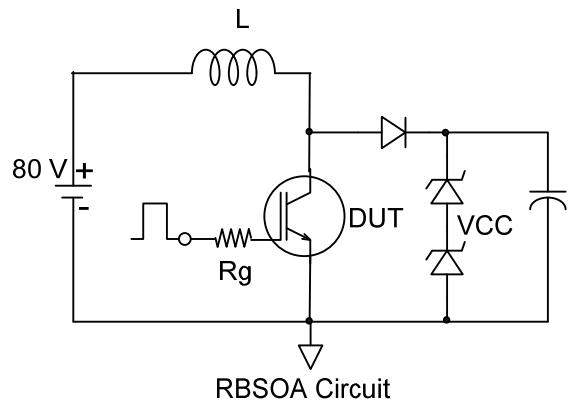
**Fig. 19** - Typical Gate Charge vs.  $V_{GE}$   
 $I_{CE} = 48A$



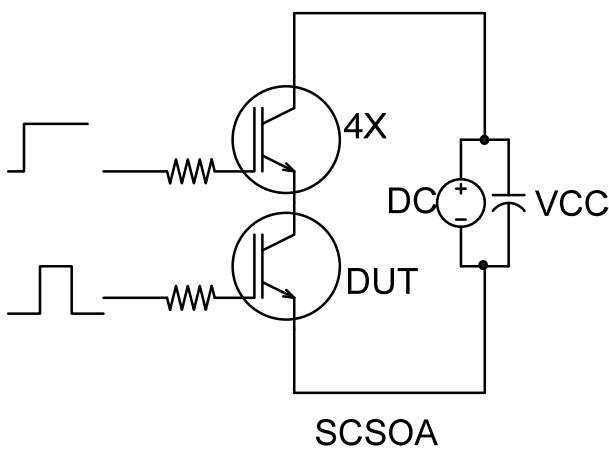
**Fig. 20** Maximum Transient Thermal Impedance, Junction-to-Case (IGBT)



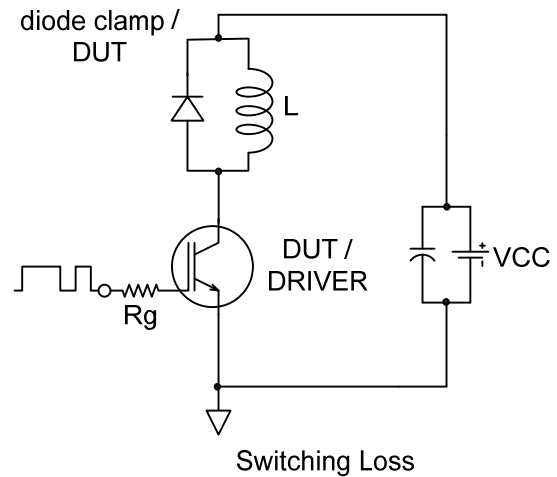
Gate Charge Circuit

**Fig.C.T.1 - Gate Charge Circuit (turn-off)**


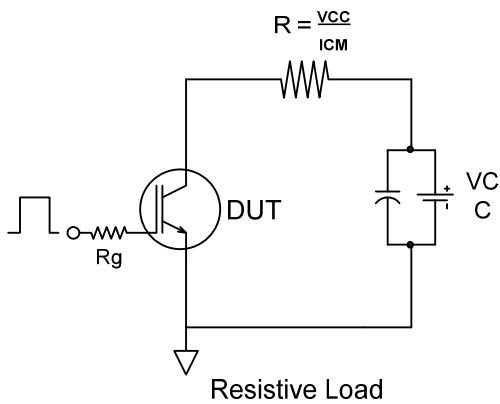
RBSOA Circuit

**Fig.C.T.2 - RBSOA Circuit**


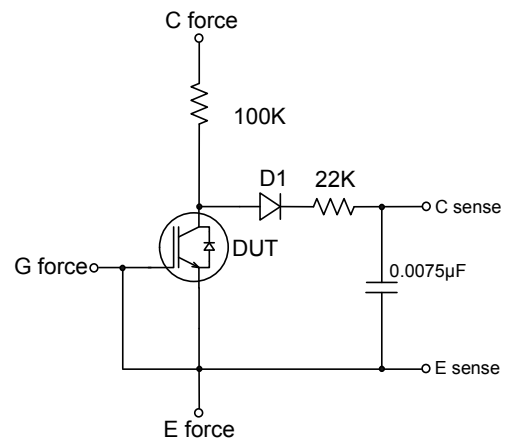
SCSOA

**Fig.C.T.3 - Switching Loss Circuit**


Switching Loss

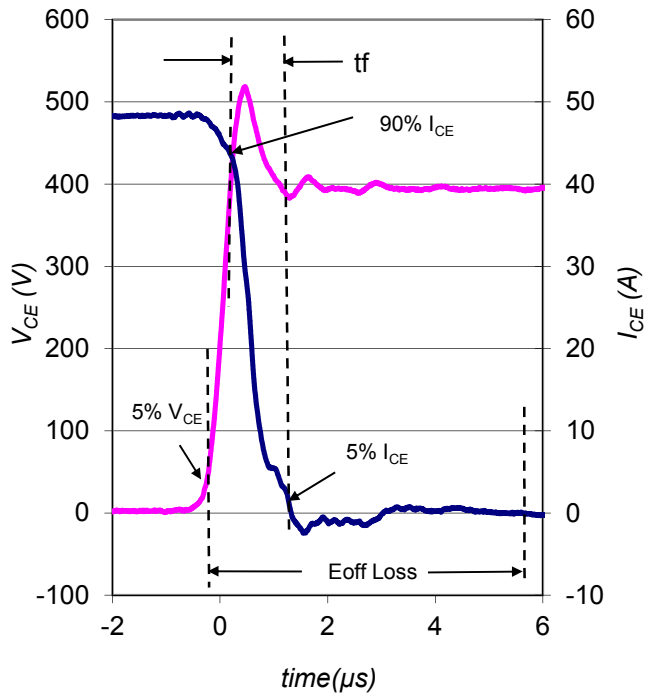
**Fig.C.T.4 - Switching Loss Circuit**


Resistive Load

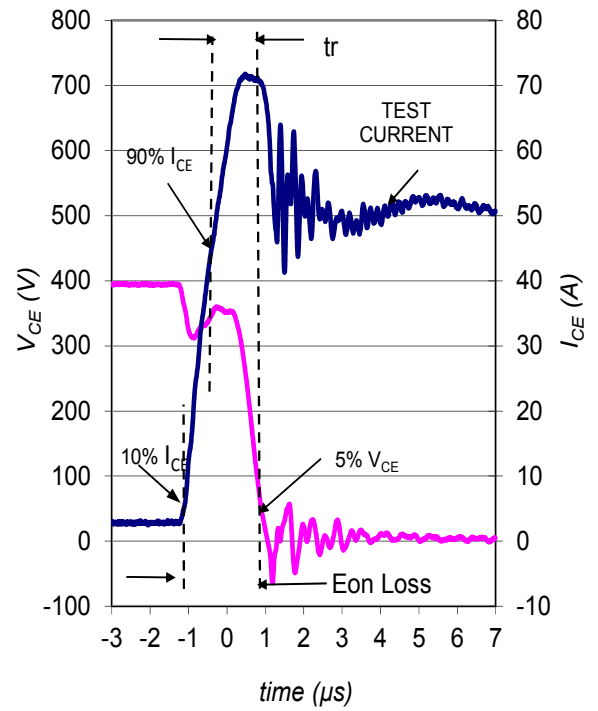
**Fig.C.T.5 - Resistive Load Circuit**


BVCES Filter

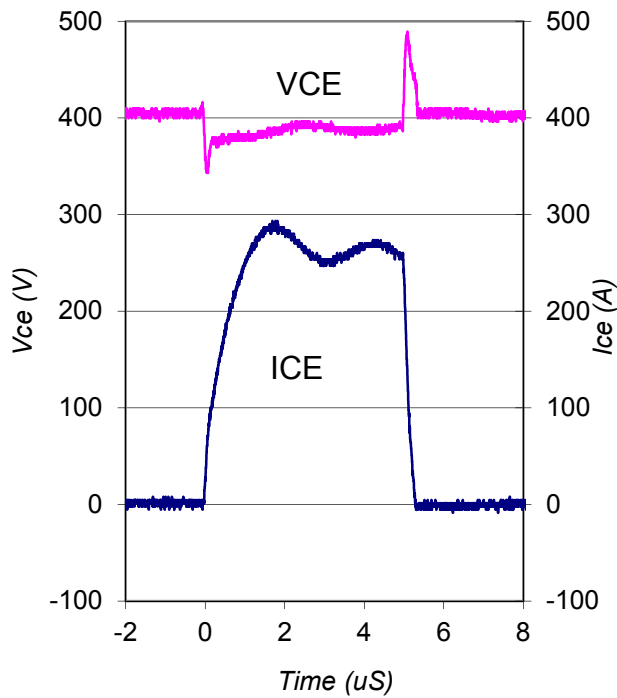
**Fig.C.T.6 - BVCES Filter Circuit**



**Fig. WF1** - Typ. Turn-off Loss Waveform  
@  $T_J = 175^\circ\text{C}$  using Fig. CT.4



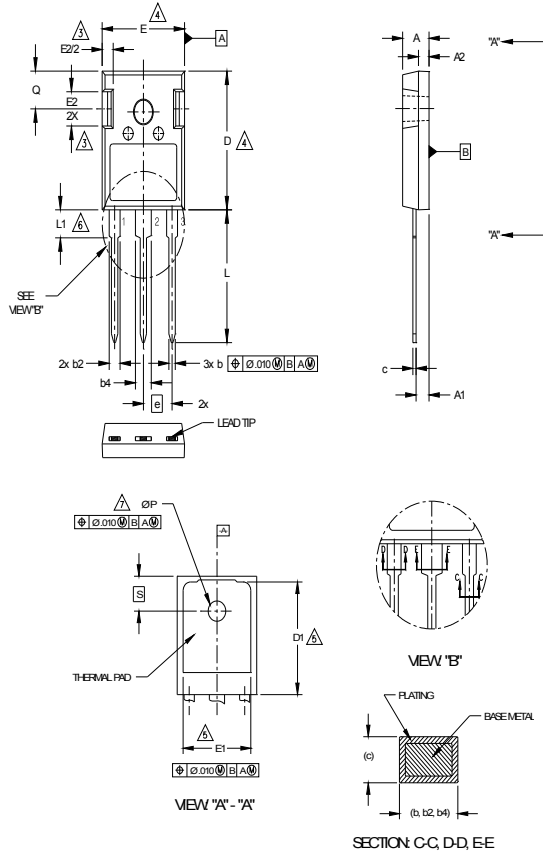
**Fig. WF2** - Typ. Turn-on Loss Waveform  
@  $T_J = 175^\circ\text{C}$  using Fig. CT.4



**Fig. WF3** - Typ. S.C. Waveform  
@  $T_J = 150^\circ\text{C}$  using Fig. CT.3

# TO-247AC Package Outline

Dimensions are shown in millimeters (inches)



SYMBOL	DIMENSIONS				NOTES
	INCHES		MILLIMETERS		
	MIN.	MAX.	MIN.	MAX.	
A	.190	.204	4.83	5.20	
A1	.090	.100	2.29	2.54	
A2	.075	.085	1.91	2.16	
b	.042	.052	1.07	1.33	
b2	.075	.094	1.91	2.41	
b4	.113	.133	2.87	3.38	
c	.022	.026	0.55	0.68	
D	.819	.830	20.80	21.10	4
D1	.640	.694	16.25	17.65	5
E	.620	.635	15.75	16.13	4
E1	.512	.570	13.00	14.50	
E2	.145	.196	3.68	5.00	
e	.215 Typical		5.45 Typical		
L	.780	.800	19.80	20.32	
L1	.161	.173	4.10	4.40	
∅ P	.138	.143	3.51	3.65	
Q	.216	.236	5.49	6.00	
S	.238	.248	6.04	6.30	

- LEAD ASSIGNMENTS**
- HEXFET**
- 1.- GATE
  - 2.- DRAIN
  - 3.- SOURCE
  - 4.- DRAIN
- IGBTs, CoPACK**
- 1.- GATE
  - 2.- COLLECTOR
  - 3.- EMITTER
  - 4.- COLLECTOR
- DIODES**
- 1.- ANODE/OPEN
  - 2.- CATHODE
  - 3.- ANODE

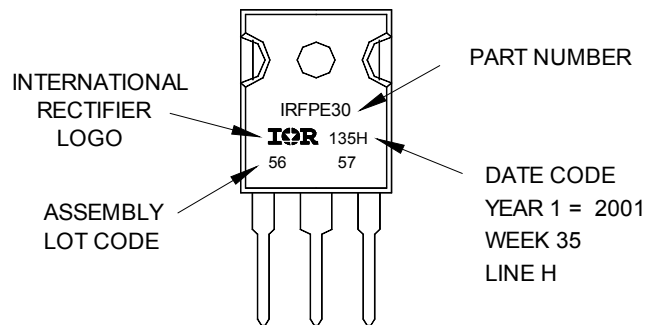
- NOTES:
- 1 DIMENSIONING AND TOLERANCING AS PER ASME Y14.5M 1994.
  - 2 DIMENSIONS ARE SHOWN IN INCHES AND MILLIMETERS.
  - 3 CONTOUR OF SLOT OPTIONAL.
  - 4 DIMENSION D & E DO NOT INCLUDE MOLD FLASH. MOLD FLASH SHALL NOT EXCEED .005" (0.127) PER SIDE. THESE DIMENSIONS ARE MEASURED AT THE OUTERMOST EXTREMES OF THE PLASTIC BODY.
  - 5 THERMAL PAD CONTOUR OPTIONAL WITHIN DIMENSIONS D1 & E1.
  - 6 LEAD FINISH UNCONTROLLED IN L1.
  - 7 ∅ P TO HAVE A MAXIMUM DRAFT ANGLE OF 1.5 ° TO THE TOP OF THE PART WITH A MAXIMUM HOLE DIAMETER OF .154 INCH.

## TO-247AC Part Marking Information

Notes: This part marking information applies to devices produced after 02/26/2001

EXAMPLE: THIS IS AN IRFPE30 WITH ASSEMBLY LOT CODE 5657 ASSEMBLED ON WW 35, 2001 IN THE ASSEMBLY LINE "H"

Note: "P" in assembly line position indicates "Lead-Free"

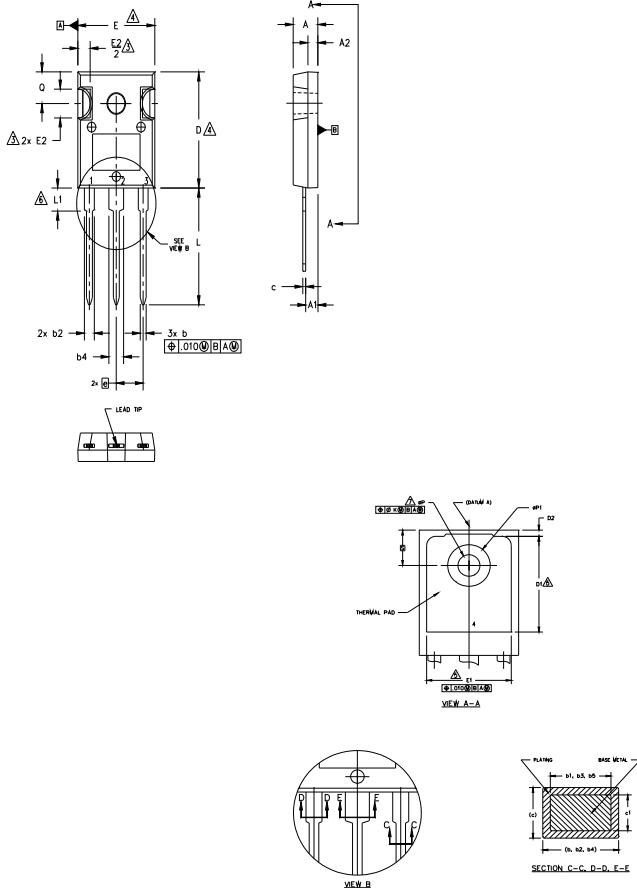


TO-247AC package is not recommended for Surface Mount Application.

Note: For the most current drawing please refer to IR website at <http://www.irf.com/package/>

## TO-247AD Package Outline

Dimensions are shown in millimeters (inches)



**NOTES:**

1. DIMENSIONING AND TOLERANCING AS PER ASME Y14.5M 1994.
2. DIMENSIONS ARE SHOWN IN INCHES.
3. CONTOUR OF SLOT OPTIONAL.
4. DIMENSION D & E DO NOT INCLUDE MOLD FLASH. MOLD FLASH SHALL NOT EXCEED .005" (0.127) PER SIDE. THESE DIMENSIONS ARE MEASURED AT THE OUTERMOST EXTREMES OF THE PLASTIC BODY.
5. THERMAL PAD CONTOUR OPTIONAL WITHIN DIMENSIONS D1 & E1.
6. LEAD FINISH UNCONTROLLED IN L1.
7. ØP TO HAVE A MAXIMUM DRAFT ANGLE OF 1.5° TO THE TOP OF THE PART WITH A MAXIMUM HOLE DIAMETER OF .154 INCH.
8. OUTLINE CONFORMS TO JEDEC OUTLINE TO-247AD.

SYMBOL	DIMENSIONS				NOTES
	INCHES		MILLIMETERS		
	MIN.	MAX.	MIN.	MAX.	
A	.183	.209	4.65	5.31	
A1	.087	.102	2.21	2.59	
A2	.069	.098	1.50	2.49	
b	.039	.055	0.99	1.40	
b1	.039	.053	0.99	1.35	
b2	.065	.094	1.65	2.39	
b3	.065	.092	1.65	2.34	
b4	.102	.135	2.59	3.43	
b5	.102	.133	2.59	3.38	
c	.015	.035	0.38	0.89	
c1	.015	.033	0.38	0.84	
D	.776	.815	19.71	20.70	4
D1	.515	-	13.08	-	5
D2	.020	.053	0.51	1.35	
E	.602	.625	15.29	15.87	4
E1	.530	-	13.46	-	
E2	.178	.216	4.52	5.49	
e	.215 BSC		5.46 BSC		
Øk	.010		0.25		
L	.780	.827	19.57	21.00	
L1	.146	.169	3.71	4.29	
ØP	.140	.144	3.56	3.66	
ØP1	-	.291	-	7.39	
Q	.209	.224	5.31	5.69	
S	.217 BSC		5.51 BSC		

**LEAD ASSIGNMENTS**

**HEXFET**

- 1.- GATE
- 2.- DRAIN
- 3.- SOURCE
- 4.- DRAIN

**IGBTs, CoPACK**

- 1.- GATE
- 2.- COLLECTOR
- 3.- EMITTER
- 4.- COLLECTOR

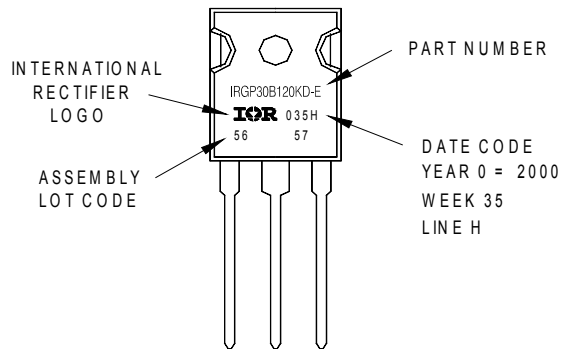
**DIODES**

- 1.- ANODE/OPEN
- 2.- CATHODE
- 3.- ANODE

## TO-247AD Part Marking Information

EXAMPLE: THIS IS AN IRGP30B120KD-E  
WITH ASSEMBLY  
LOT CODE 5657  
ASSEMBLED ON WW 35, 2000  
IN THE ASSEMBLY LINE "H"

Note: "P" in assembly line position  
indicates "Lead-Free"



TO-247AD package is not recommended for Surface Mount Application.

Note: For the most current drawing please refer to IR website at <http://www.irf.com/package/>

**Qualification Information<sup>†</sup>**

<b>Qualification Level</b>	Industrial (per JEDEC JESD47F) <sup>††</sup>	
<b>Moisture Sensitivity Level</b>	TO-247AC	N/A
	TO-247AD	
<b>RoHS Compliant</b>	Yes	

† Qualification standards can be found at International Rectifier's web site: <http://www.irf.com/product-info/reliability/>

†† Applicable version of JEDEC standard at the time of product release.

Data and specifications subject to change without notice.

International  
 Rectifier

**IR WORLD HEADQUARTERS:** 101N Sepulveda., El Segundo, California 90245, USA Tel: (310) 252-7105

TAC Fax: (310) 252-7903

Visit us at [www.irf.com](http://www.irf.com) for sales contact information.