

1747066-5 ✓ ACTIVE

[GRACE INERTIA](#) | [GRACE INERTIA 2.5](#)

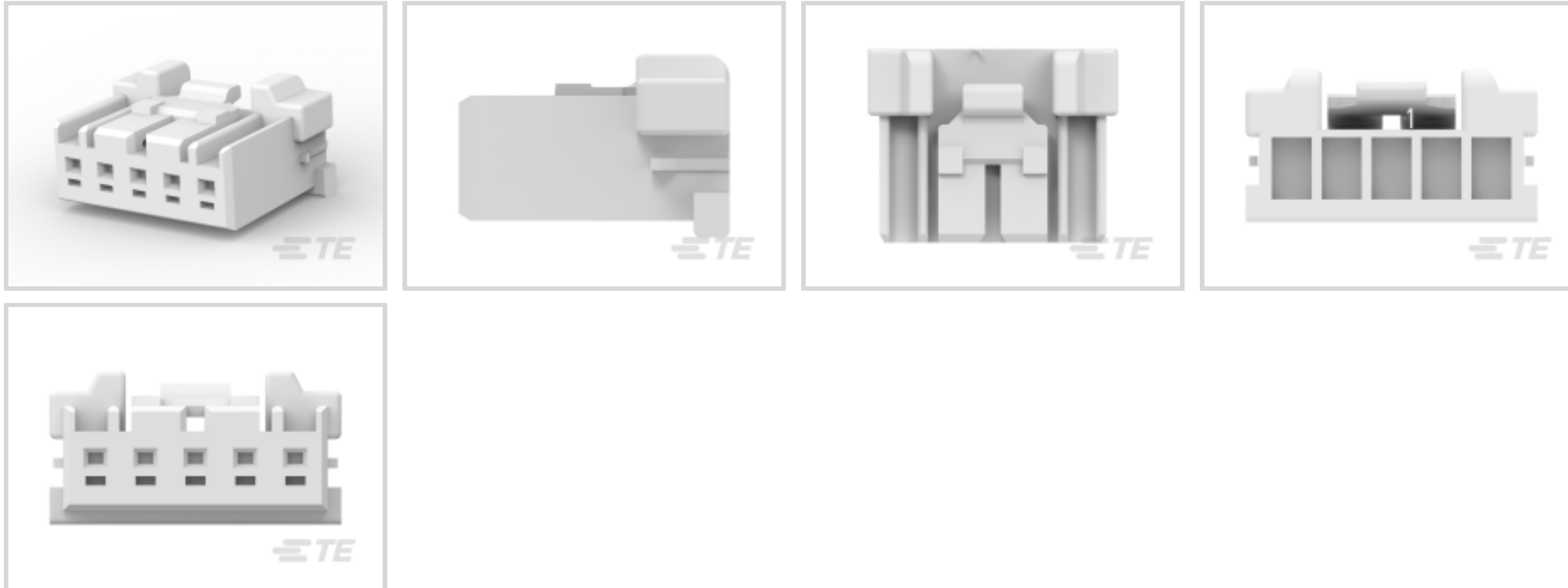
TE Internal #: 1747066-5

5 Position, Plug, Housing, Crimp, Wire-to-Board, UL 94V-0, 2.5 mm [.098 in] Centerline, 1 Row, 50 VAC, Wire & Cable, Power & Signal, GRACE INERTIA 2.5

[View on TE.com >](#)



Connectors > Rectangular Connectors > Standard Rectangular Connectors



Connector Product Type: **Housing**

Connector & Housing Type: **Plug**

Mating Retention Type: **Latch**

Connector System: **Wire-to-Board**

UL Flammability Rating: **UL 94V-0**

Features

Product Type Features

Connector Product Type	Housing
Connector & Housing Type	Plug
Connector System	Wire-to-Board
Sealable	No
Connector & Contact Terminates To	Wire & Cable

Configuration Features

Number of Positions	5
Number of Rows	1

Electrical Characteristics

Operating Voltage	50 VDC
-------------------	--------

Body Features

Primary Product Color	Natural
-----------------------	---------

Contact Features

--	--



Contact Layout	Inline
Contact Base Material	Copper Alloy
Contact Type	Pin

Termination Features

Termination Method to Wire & Cable	Crimp
------------------------------------	-------

Mechanical Attachment

Strain Relief	Without
Panel Mount Feature	Without
Mating Retention Type	Latch
Mating Retention	With
Connector Mounting Type	Cable Mount (Free-Hanging)

Housing Features

Housing Entry Configuration	Both Ends Open
Centerline (Pitch)	2.5 mm [.098 in]
Housing Material	Nylon 6/6 GF

Dimensions

Connector Height	7.65 mm [.301 in]
Connector Length	14.6 mm [.574 in]

Usage Conditions

Operating Temperature Range	-30 – 105 °C [-22 – 221 °F]
-----------------------------	-----------------------------

Operation/Application

Circuit Application	Power & Signal
---------------------	----------------

Industry Standards

UL Flammability Rating	UL 94V-0
Glow Wire Rating	Standard Part - Not Glow Wire

Packaging Features

Packaging Quantity	500
Packaging Method	Bag

Product Compliance

[For compliance documentation, visit the product page on TE.com>](#)

EU RoHS Directive 2011/65/EU	Compliant
------------------------------	-----------



EU ELV Directive 2000/53/EC	Compliant
China RoHS 2 Directive MIIT Order No 32, 2016	有害物质含量符合标准要求 No Restricted Substance(s) Above Threshold
EU REACH Regulation (EC) No. 1907/2006	Current ECHA Candidate List: JUNE 2025 (250) Candidate List Declared Against: JUNE 2025 (250) Does not contain REACH SVHC
Halogen Content	Not Low Halogen - contains Br or Cl > 900 ppm.
Solder Process Capability	Not applicable for solder process capability

Product Compliance Disclaimer

This information is provided based on reasonable inquiry of our suppliers and represents our current actual knowledge based on the information they provided. This information is subject to change. The part numbers that TE has identified as EU RoHS compliant have a maximum concentration of 0.1% by weight in homogenous materials for lead, hexavalent chromium, mercury, PBB, PBDE, DBP, BBP, DEHP, DIBP, and 0.01% for cadmium, or qualify for an exemption to these limits as defined in the Annexes of Directive 2011/65/EU (RoHS2). Finished electrical and electronic equipment products will be CE marked as required by Directive 2011/65/EU. Components may not be CE marked. Additionally, the part numbers that TE has identified as EU ELV compliant have a maximum concentration of 0.1% by weight in homogenous materials for lead, hexavalent chromium, and mercury, and 0.01% for cadmium, or qualify for an exemption to these limits as defined in the Annexes of Directive 2000/53/EC (ELV). Regarding the REACH Regulation, the information TE provides on SVHC in articles for this part number is based on the latest European Chemicals Agency (ECHA) 'Guidance on requirements for substances in articles' posted at this URL: <https://echa.europa.eu/guidance-documents/guidance-on-reach>

Compatible Parts



TE Part # 5-1747072-5
GRACE INERTIA CONN 2.5 ON TAPE HDR 5P NA



TE Part # CAT-G7534A-R2435
Sig GRACE INERTIA Receptacle



TE Part # 7-1747511-1
GIC 2.5 ON TAPE HDR 3/5P BLUE



TE Part # 1747661-1
GRACE INERTIA CONN 2.5 HDR ASSY 3/5P NAT



TE Part # 5-1747511-1
GRACE INERTIA CONN 2.5 ON TAPE HDR 3/5P



TE Part # 1871843-5
GIC2.5 HDR ASSY TIN VERSION 5P NATURAL

Also in the Series | GRACE INERTIA 2.5



Connector Contacts(6)



Connector Hardware(7)



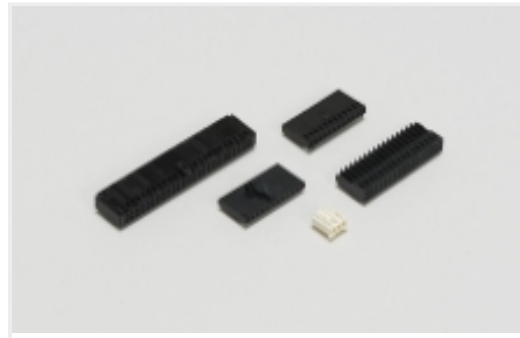
PCB Headers & Receptacles(173)



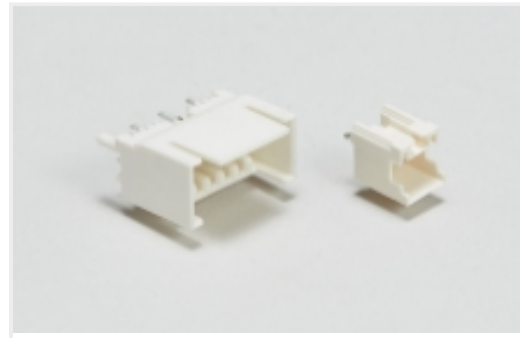
Power Contacts(2)



Rectangular Power Connectors(44)



Wire-to-Board Connector Assemblies & Housings(36)

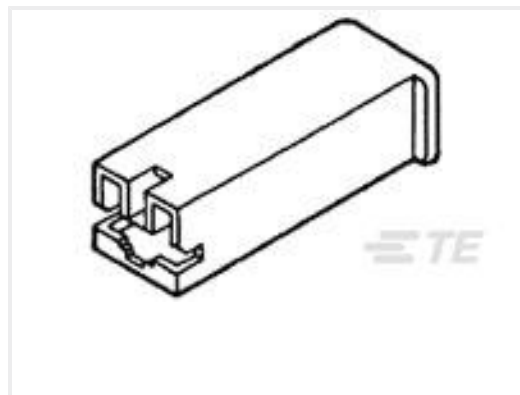


Wire-to-Board Headers & Receptacles (173)

Customers Also Bought



TE Part #819954-SF
FN9262A-10-06



TE Part #2-172076-1
250 HSG. PL MKII REC. NAT



TE Part #173974-1
187 HSG. PL MKII REC. NAT



TE Part #175150-1
UNIVERSAL POWER CONN TAB



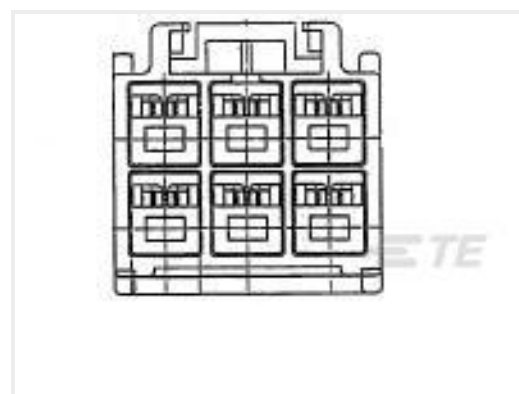
TE Part #176271-1
AMP UNIVERSAL POWER PLUG 2P



TE Part #176271-4
AMP UNIVERSAL POWER PLUG 2P



TE Part #176282-4
AMP UNIVERSAL POWER CAP 2P



TE Part #176285-1
AMP UNIVERSAL POWER CAP 6P



TE Part #917803-2
DYNAMIC D-5 TAB CONT. M AU



TE Part #2366250-4
PLUG HSG, SDL 2.5, 4P TNL

Documents



Product Drawings

GRACE INERTIA CONN 2.5 PLUG HSG 5P NATUR

English

CAD Files

Customer View Model

[ENG_CVM_CVM_1747066-5_E.2d_dxf.zip](#)

English

3D PDF

3D

Customer View Model

[ENG_CVM_CVM_1747066-5_E.3d_igs.zip](#)

English

Customer View Model

[ENG_CVM_CVM_1747066-5_E.3d_stp.zip](#)

English

By downloading the CAD file I accept and agree to the [Terms and Conditions](#) of use.

Product Specifications

Application Specification

English