

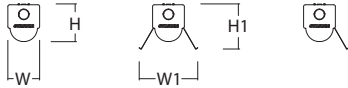
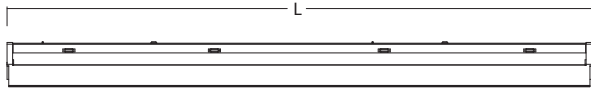
600 0045170, 0045171, 0045176, 0045177, 0045182, 0045183, 0045188, 0045189, 0045194 & 0045195

1200 0045172, 0045173, 0045178, 0045179, 0045184, 0045185, 0045190, 0045191, 0045196, 0045197, 0045200, 0045201, 0045204, 0045205, 0045208, 0045209, 0045212, 0045213, 0045216\*, 0045217\*, 0045220\* & 0045221\*

1500 0045174, 0045175, 0045180, 0045181, 0045186, 0045187, 0045192, 0045193, 0045198, 0045199, 0045202, 0045203, 0045206, 0045207, 0045210, 0045211, 0045214, 0045215, 0045218\*, 0045219\*, 0045222\* & 0045223\*



JAN	FEB	MAR	APR
MAY	JUN	JUL	AUG
SEP	OCT	NOV	DEC
2013	2014	2015	2016
2017	2018	2019	2020
2021	2022	2023	2024



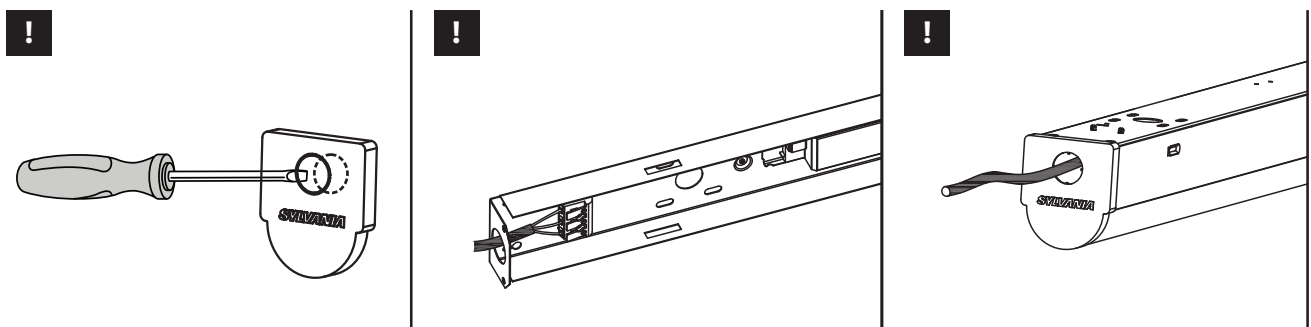
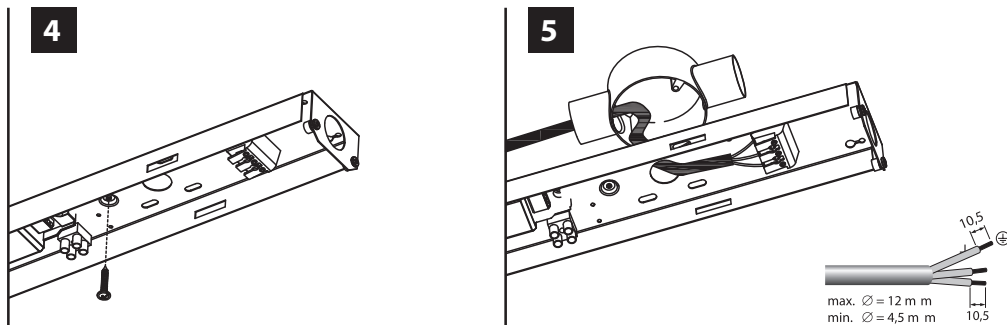
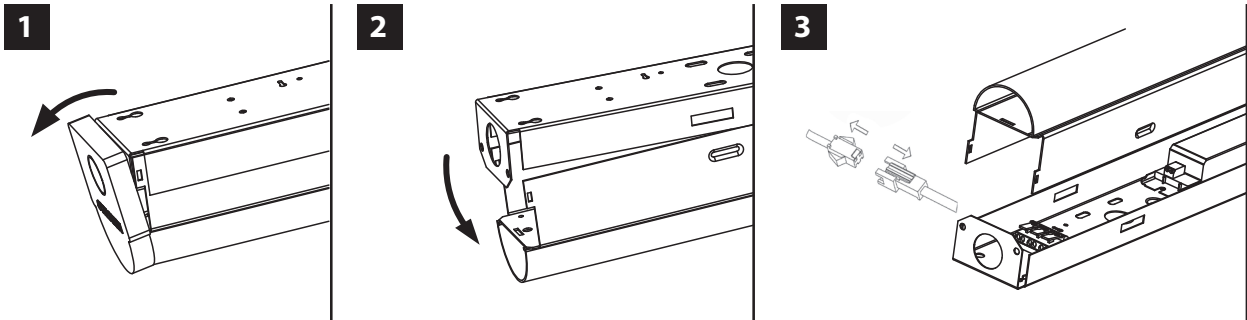
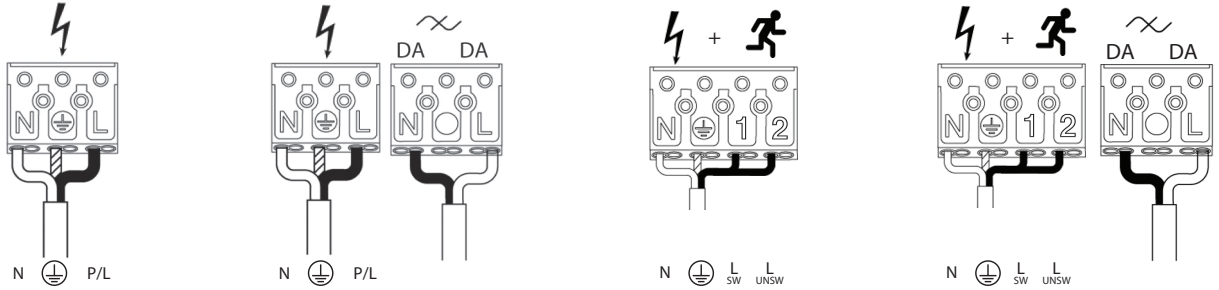
SYM REFLECTOR

ASYM REFLECTOR

	L	H	W	H1	W1
<b>600</b>	605	76	66	121	92
<b>1200</b>	1205	76	66	121	92
<b>1500</b>	1505	76	66	121	92
<b>1200*</b>	1305	76	66	-	-
<b>1500*</b>	1605	76	66	-	-

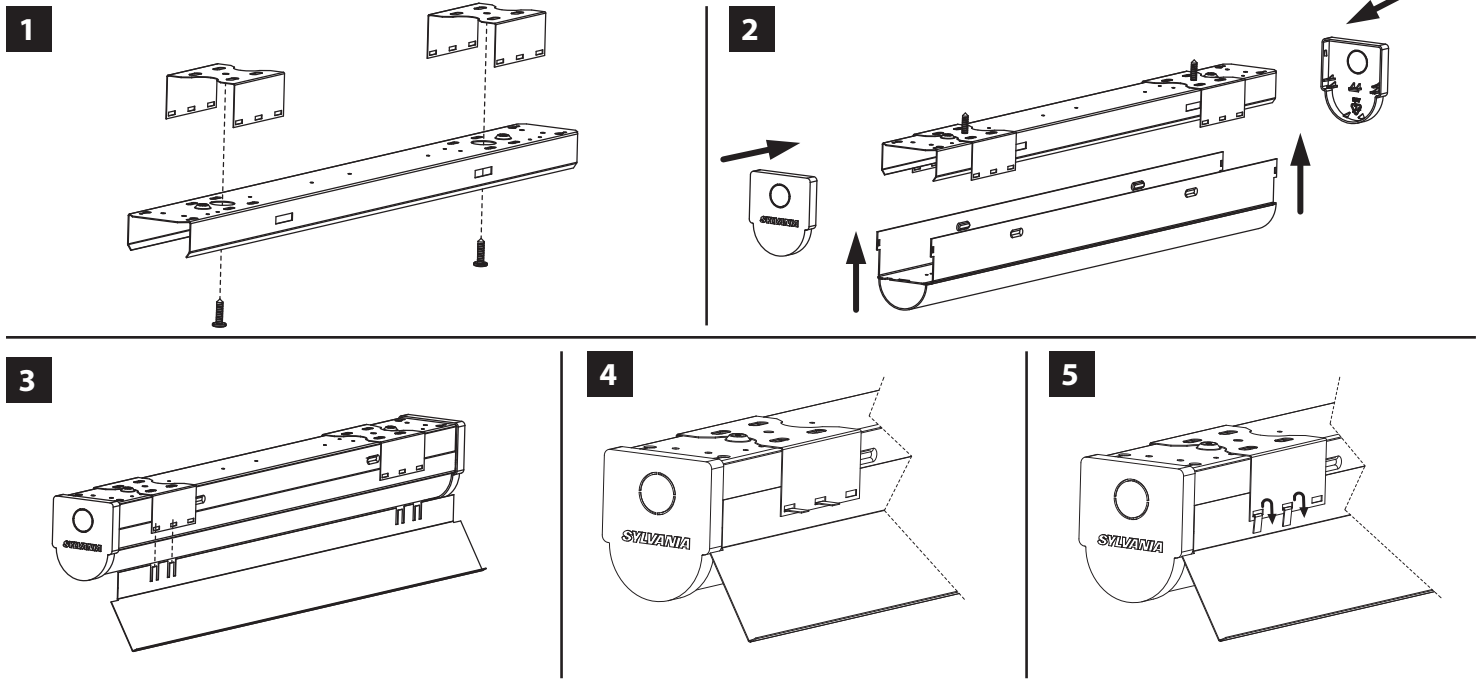
\*PIR Versions

**!** 220-240V ~  
0.75mm² Min.

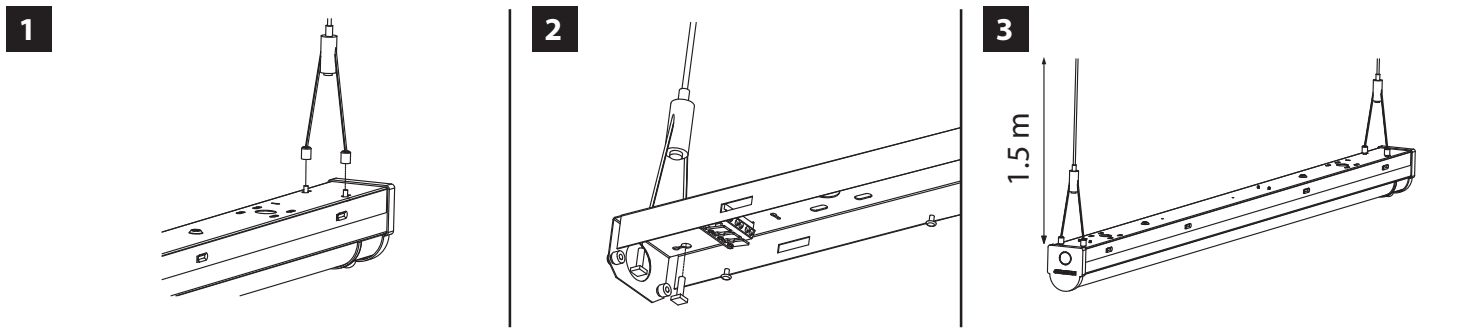


# SYL BATTEN LED

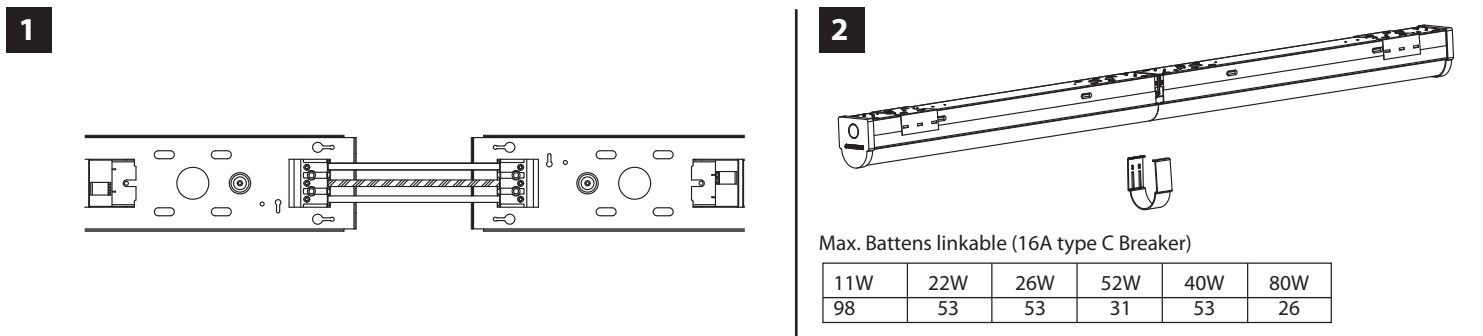
## REFLECTOR MOUNTING



## SUSPENDED MOUNTING



## CONTINUOUS MOUNTING



## PIR VERSION

