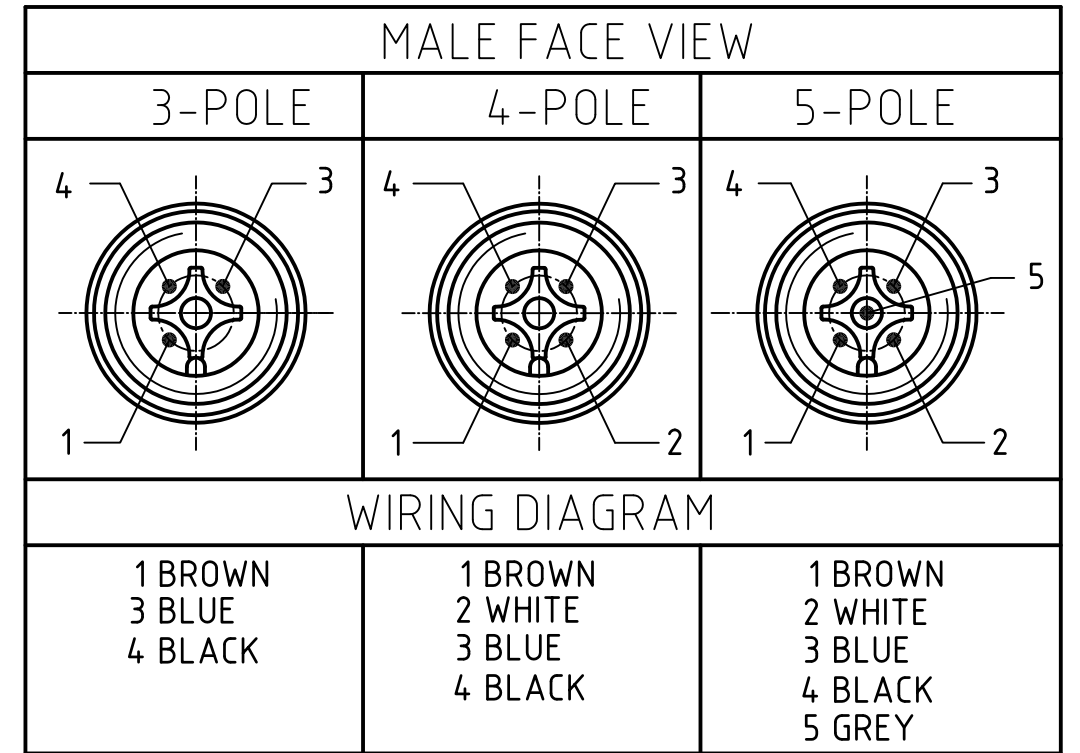


CONNECTOR SPECIFICATION:

VOLTAGE RATING	250 VAC/VDC
AMPERAGE RATING	max. 4 AMPS
PROTECTION	IP67
OPERATING TEMPERATURE	-30°C TO 80°C
UL CERTIFICATIONS	UL STYLE 2464
CSA CERTIFICATIONS	I/II A/B 80°/300V

ITEM	COMPONENT	MATERIAL	FINISH
5	COUPLER	BRASS	NICKEL PLATED
4	PIN CONTACT	COPPER ALLOY	GOLD OVER NICKEL
3	INSERT	NYLON	BLACK
2	OVERMOLD	POLYURETHANE (PUR)	YELLOW
1	CABLE- 22/3-5 (COPPER STRANDING) 3/4/5 CONDUCT. 300V	JACKET: PVC	JACKET: BLACK



DESCRIPTION EC NO: WEU2010-0283 DRWN: LSTEMMLE 2010/01/20 CHKD: NS APPR: NSTAUDIG 2010/01/26	QUALITY SYMBOLS ▽ = 0 ▽/C = 0	GENERAL TOLERANCES (UNLESS SPECIFIED)		DIMENSION STYLE MM	SCALE 2:1	DESIGN UNITS METRIC	THIRD ANGLE PROJECTION
		4 PLACES ±--- ±--- 3 PLACES ±--- ±--- 2 PLACES ±--- ±.01 1 PLACE ±0.3 ±--- ANGULAR ± --- °	DRAWN BY DATE	MICRO-CHANGE CORDSET 3/4/5-POL MALS STR SE 22/3-5 PVC BLACK CABLE			
		DRAFT WHERE APPLICABLE MUST REMAIN WITHIN DIMENSIONS	CHECKED BY DATE 2010/01/21	MOLEX INCORPORATED			
		SEE TABLE SHEET 2	APPROVED BY DATE NSTAUDIG 2010/01/25	MATERIAL NO. SD-120065-040	SHEET NO. 1 OF 1		

POL	MATERIAL NUMBER	ENGINEERING NUMBER	FINISHED LENGTH
3	1200060240	803006E03M020	6.56' +3.5" -0 [2.0M +89 -0]

POL	MATERIAL NUMBER	ENGINEERING NUMBER	FINISHED LENGTH
4	1200060560	804006E03M020	6.56' +3.5" -0 [2.0M +89 -0]

POL	MATERIAL NUMBER	ENGINEERING NUMBER	FINISHED LENGTH
5	1200060667	805006E03M020	6.56' +3.5" -0 [2.0M +89 -0]

DESCRIPTION EC NO: WEU2010-0283 DRWN: LSTEMMLE 2010/01/20 CH'KD: NS APPR: NSTAUDIG 2010/01/26	QUALITY SYMBOLS	GENERAL TOLERANCES (UNLESS SPECIFIED)	DIMENSION STYLE	SCALE	DESIGN UNITS	THIRD ANGLE PROJECTION
	▼ = 0 ▽ = 0	mm INCH 4 PLACES ±--- ±--- 3 PLACES ±--- ±--- 2 PLACES ±--- ±.01 1 PLACE ±0.3 ±--- ANGULAR ± --- °	MM	2:1	METRIC	
	DESCRIPTION	DRAFT WHERE APPLICABLE MUST REMAIN WITHIN DIMENSIONS	DRAWN BY: _____ DATE: _____ CHECKED BY: RE DATE: 2010/01/21 APPROVED BY: NSTAUDIG DATE: 2010/01/25	MICRO-CHANGE CORDSET 3/4/5-POL MALS STR SE 22/3-5 PVC BLACK CABLE		
	REV	SIZE A3	SEE TABLE	MOLEX INCORPORATED		DOCUMENT NO. SD-120065-040 SHEET NO. 1 OF 1