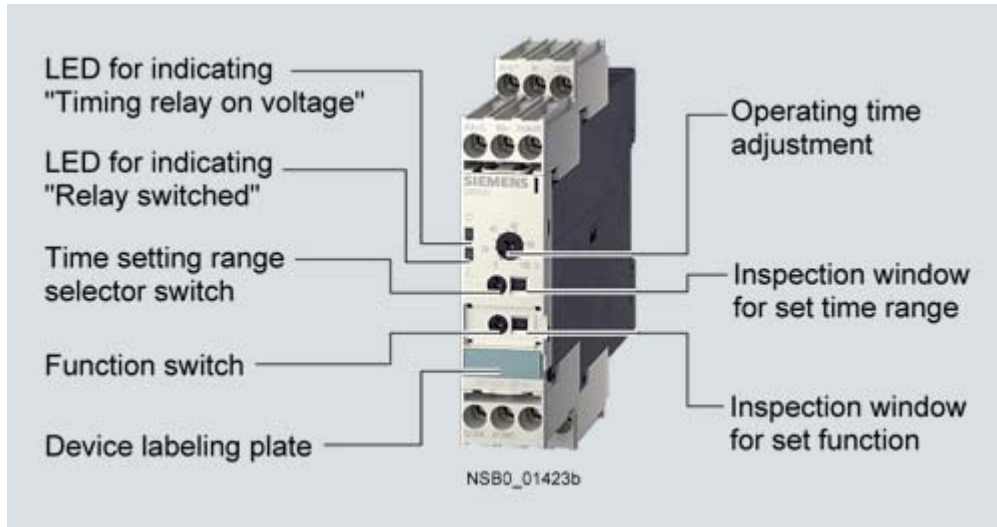


SIRIUS 3RP15 Timing Relays in Industrial Enclosure, 22.5mm

Overview



SIRIUS 3RP15 timing relays

Standards

The timing relays comply with:

- IEC 60721-3-3 "Environmental conditions"
- IEC 61812-1/DIN VDE 0435 Part 2021
"Electrical relays, timing relays"
- IEC 61000-6-2 and EN 61000-6-4
"Electromagnetic compatibility"
- IEC 60947-5-1; (VDE 0660 Part 200)
"Low-voltage control gear"

Note: the activation of loads parallel to the start input is not permissible when using AC control voltage (see diagrams).

