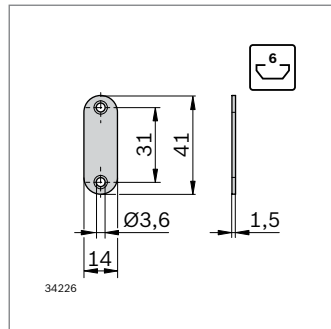
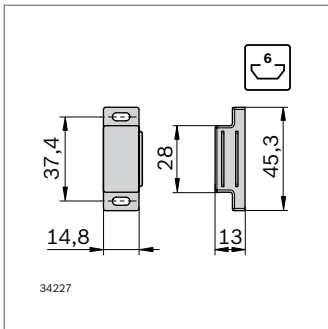


Magnet catch



- ▶ The magnet catch prevents doors and flaps from banging or being unintentionally opened
- ▶ Elongated holes to compensate for different surface element thicknesses

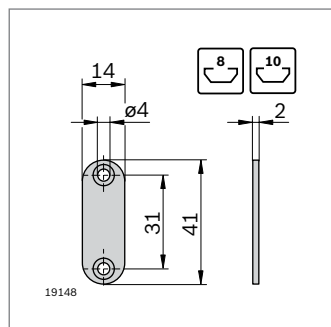
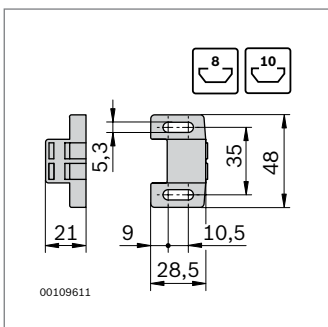
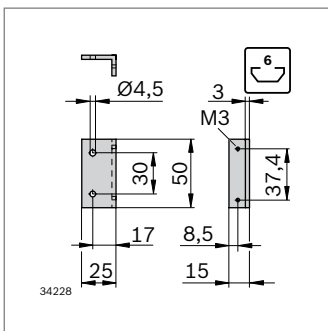
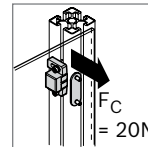
Accessories:
cylinder bolt ISO 4762, washer, T-nut (p. 3-4)



Magnet catch	Slot	No.	FS
	6	3 842 558 323	2xFS1

Material: PP, white / steel, galvanized
Scope of delivery: incl. counterpiece, bracket, fastening material (FS)

FS1
 ISO 4762
 M3x8
 DIN
 ISO 7089-3



Magnet catch	Slot	No.
	8, 10	3 842 516 165

Material: PA; black steel; galvanized
Scope of delivery: incl. counterpiece

