

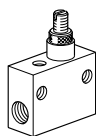
- Integral mounting holes
- Screw driver adjustable
- Panel mounting option



Operating information

Working pressure Max 10 bar
 Working temperature -20 °C to +70 °C

Flow Control Valves with By-pass

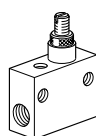


Symbol



| Thread | Number of turns | Qmax input at 6 bar, l/min | Weight kg | Order code |
|--------|-----------------|----------------------------|-----------|----------------------|
| G1/8 | 13 | 72 | 0,03 | VQB12-Q-0X-5* |
| G1/8 | 13 | 240 | 0,03 | VQB12-Q-0-5 |
| G1/4 | 13 | 1320 | 0,07 | VQB22-Q-0-5 |
| G1/2 | 13 | 3600 | 0,27 | VQB42-Q-0-5 |

Flow Control Valves with By-directional Control



Symbol



| Thread | Number of turns | Qmax input at 6 bar, l/min | Weight kg | Order code |
|--------|-----------------|----------------------------|-----------|--------------------|
| G1/8 | 13 | 72 | 0,03 | VQB12-0X-5* |
| G1/8 | 13 | 240 | 0,03 | VQB12-0-5 |
| G1/4 | 13 | 1320 | 0,07 | VQB22-0-5 |
| G1/2 | 13 | 3600 | 0,26 | VQB42-0-5 |

* Extra fine adjustment

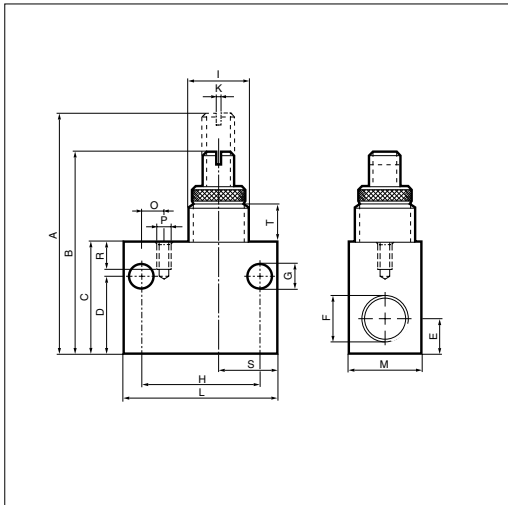
Knob and nut for Panel Mounting



| To Suit | Weight kg | Order code |
|---------|-----------|-------------------|
| VQB12 | 0,008 | 9128177212 |
| VQB22 | 0,014 | 9128177222 |
| VQB42 | 0,037 | 9128177242 |

Dimensions, Flow Control Valves, VQB Series

Flow Control Valves - Dimensions



| Order code | A | B | C | D | E | F | G | H | I |
|----------------|----|----|----|----|------|------|-----|----|---------|
| VQB12-(Q)-OX-5 | 49 | 42 | 22 | 15 | 6,5 | G1/8 | 5,8 | 24 | M12x1 |
| VQB12-(Q)-O-5 | 49 | 42 | 22 | 15 | 6,5 | G1/8 | 5,8 | 24 | M12x1 |
| VQB22-(Q)-O-5 | 64 | 53 | 30 | 21 | 8,5 | G1/4 | 7,0 | 32 | M16x1 |
| VQB42-(Q)-O-5 | 99 | 85 | 50 | 36 | 16,5 | G1/2 | 7,0 | 50 | M24x1,5 |

| Order code | K | L | M | O | P | R | S | T |
|----------------|-----|----|----|------|----|---|------|------|
| VQB12-(Q)-OX-5 | 1,2 | 32 | 15 | - | - | - | 13,5 | 8,8 |
| VQB12-(Q)-O-5 | 1,2 | 32 | 15 | - | - | - | 13,5 | 8,8 |
| VQB22-(Q)-O-5 | 1,2 | 42 | 20 | 6,0 | M4 | 7 | 16,0 | 10,0 |
| VQB42-(Q)-O-5 | 1,8 | 62 | 30 | 19,5 | M4 | 7 | 20,5 | 15,2 |