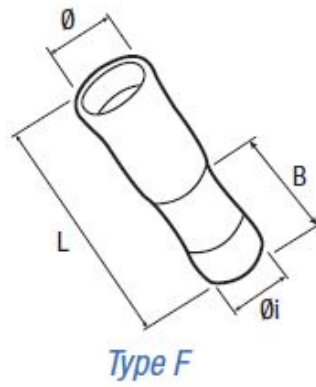
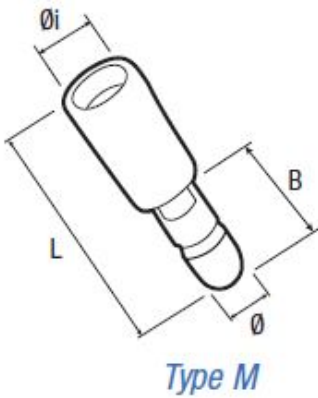


Preinsulated Male and Female Cylindral Plugs

Network Type : Industry

Description :

- Electrolytic tin-plated copper.
- Barrel with funnel entry.
- Grooves in the barrel provide a better tensile strength.
- PVC insulating sleeve.
- "Easy entry" conical entry.
- Copper sleeve for crimping insulation.
- Max. operating temperature: +75°C.
- Flammability rating: UL 94V0.



Color	Conductor size (mm <sup>2</sup> )	Item code	Ref.	Packaging	Cable insulation max Ø	Type	Ø	Ø i	B	L
■	1 - 2,5	7274061	SFFB4	500	4,7	F	4	2.3	7.3	23.3

