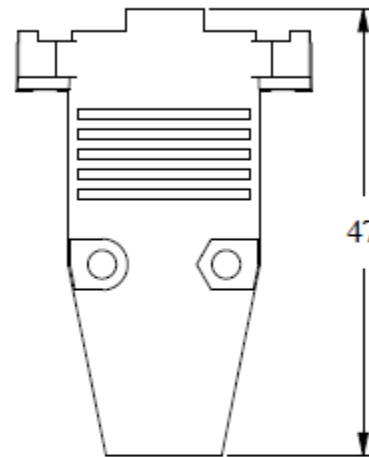
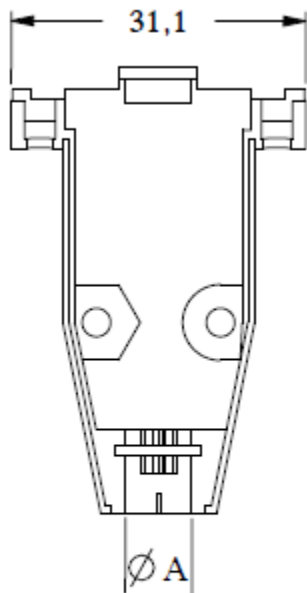
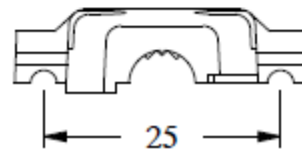



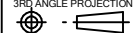


DESCRIPTION: D-SUB HOOD, SHIELDED METAL, 9 PINS
 PART NUMBER: 40-9709HM
 APPLICATION: D-SUB HOOD
 CRIMP TOOL: N/A
 IMPEDANCE: N/A
 FREQUENCY RANGE: N/A
 MATERIAL: ZINC ALLOY
 RoHS COMPLIANCE: YES
 TECHNICAL DETAIL: N/A
 ATTACHMENT: SCREW AND NUT



Ø A: 6, 6.5, 7, 7.5, 8, 8.5, 9 mm



 <small>This PROPRIETARY Document is property of Cinch Connectivity Solutions. It is confidential in nature, non-transferable, and issued with the clear understanding that it is not traced or copied without permission and is returnable upon demand.</small> <small>INTERPRET DRAWING IN ACCORDANCE WITH ASME Y14.5-2009.</small>		AIM-Cambridge	
	RoHS <input checked="" type="checkbox"/> 2002/95/EC	Title: D-Sub Hood, Shielded Metal, 9 Pins	
<small>UNLESS OTHERWISE SPECIFIED UNITS: METRIC</small> .XX ±.51 .XXX ±.127 ANGLES ±2°	Model No. 40-9709HM		
Size A	DO NOT SCALE DRAWING	Date: 5/31/2013	Sheet 1 of 1