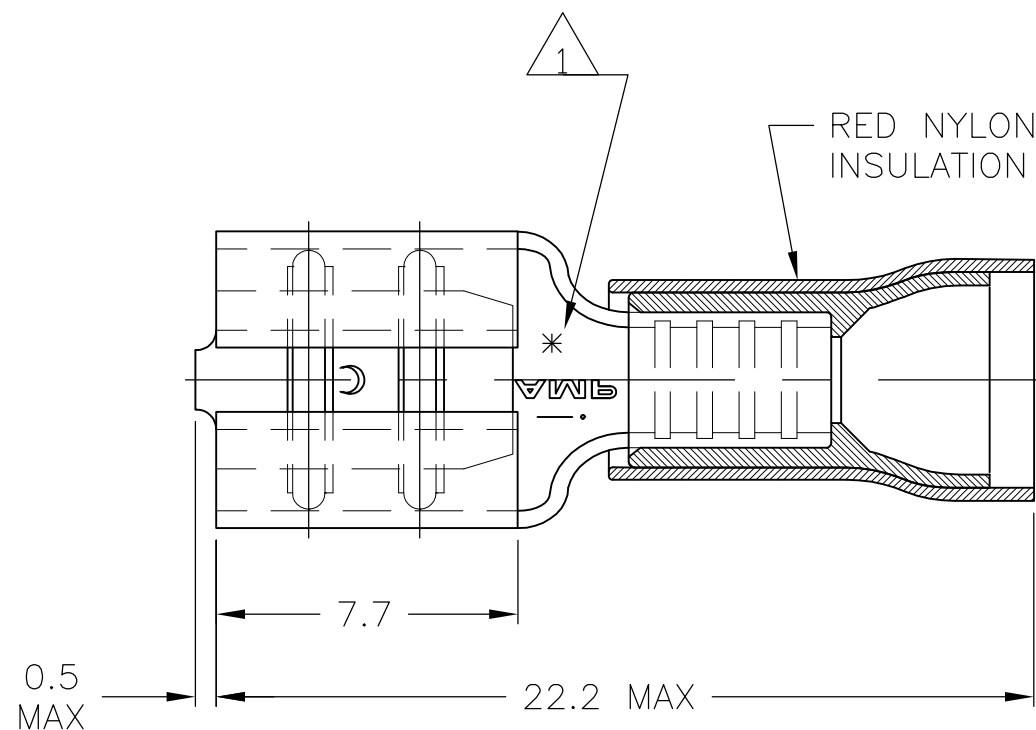
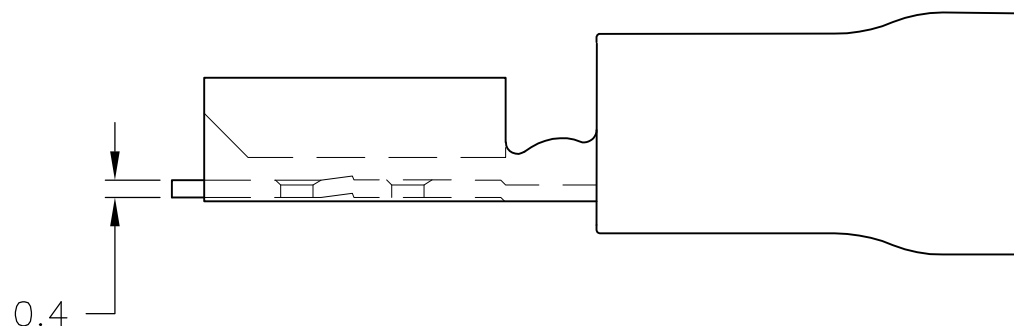
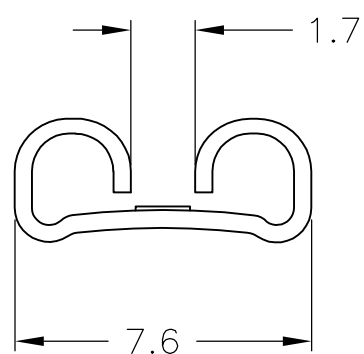


THIS DRAWING IS UNPUBLISHED. RELEASED FOR PUBLICATION
 © COPYRIGHT BY TYCO ELECTRONICS CORPORATION. ALL RIGHTS RESERVED.

LOC	DIST	REVISIONS					
		P	LTR	DESCRIPTION	DATE	DWN	APVD
G	86		L4	REV PER ECR 08-028310	10NOV08	JR	TM



- △1 ASTERISK * FOR PHOS BRONZE VERSION ONLY.
- 2 WIRE RANGE: 0,3-1,5mm²
- 3 INSULATION RANGE: 3,5mm MAX DIA.
- 4 MATING TAB THK IS 0,8
- △5 SUPERSEDED BY 9-160583-5
- △6 SUPERSEDED BY 9-160583-6
- △7 SUPERSEDED BY 5-160583-2
- △8 SUPERSEDED BY 5-160583-5



PACKAGE TYPE	FINISH	MATERIAL	PART NO.
TAPE MOUNTED	GOLD PLATED	△1 PHOS. BRONZE	5-160583-7 △8
	SILVER PLATED	△1 PHOS. BRONZE	5-160583-6 △8
	TIN PLATED	△1 PHOS. BRONZE	5-160583-5
	GOLD PLATED	BRASS	5-160583-4 △7
	SILVER PLATED	BRASS	5-160583-3 △7
	TIN PLATED	BRASS	5-160583-2
LOOSE PIECE	TIN-LEAD	△1 PHOS. BRONZE	9-160583-8 △5
	GOLD PLATED	△1 PHOS. BRONZE	9-160583-7 △6
	SILVER PLATED	△1 PHOS. BRONZE	9-160583-6
	TIN PLATED	△1 PHOS. BRONZE	9-160583-5
	GOLD PLATED	BRASS	9-160583-4 △6
	SILVER PLATED	BRASS	9-160583-3 △6
	TIN PLATED	BRASS	9-160583-2

THIS DRAWING IS A CONTROLLED DOCUMENT.		DWN JR RUTH 25AUG2004	Tyco Electronics Corporation Harrisburg, Pa 17105-3608												
DIMENSIONS: mm		CHK T MICHELUTTI 25AUG04	NAME RECEPTACLE, FASTON, P.I.D.G., .250 SERIES												
TOLERANCES UNLESS OTHERWISE SPECIFIED:		APVD T MICHELUTTI 25AUG04	PRODUCT SPEC -												
<table border="0"> <tr><td>0 PLC</td><td>± -</td></tr> <tr><td>1 PLC</td><td>± -</td></tr> <tr><td>2 PLC</td><td>± 0.38</td></tr> <tr><td>3 PLC</td><td>± -</td></tr> <tr><td>4 PLC</td><td>± -</td></tr> <tr><td>ANGLES</td><td>± -</td></tr> </table>		0 PLC	± -	1 PLC	± -	2 PLC	± 0.38	3 PLC	± -	4 PLC	± -	ANGLES	± -	APPLICATION SPEC -	
0 PLC	± -														
1 PLC	± -														
2 PLC	± 0.38														
3 PLC	± -														
4 PLC	± -														
ANGLES	± -														
MATERIAL -	FINISH -	WEIGHT -	SIZE A3	CAGE CODE 00779											
CUSTOMER DRAWING			DRAWING NO G-160583	RESTRICTED TO -											
			SCALE 4:1	SHEET 1 OF 1											
			REV L4												