

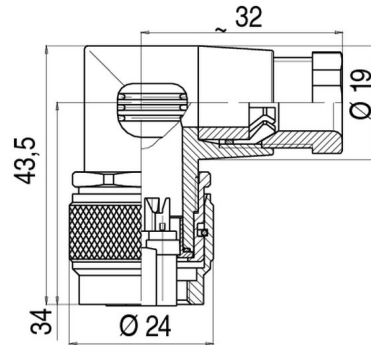
Product Female angled connector, cable outlet 4-6 mm (.16-.24 in.)  
Area M16 connectors IP 67 serie 723

Pole 6 DIN  
Article number 99 0122 106 06

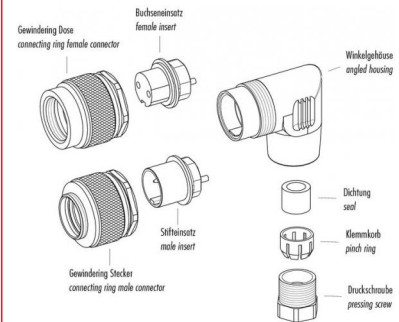
illustration



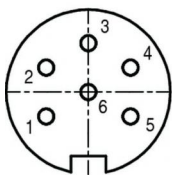
scale drawing



Item description



Contact Arrangement



	X	Y
1	-3,03	-1,75
2	-3,03	1,75
3	0,00	3,50
4	3,03	1,75
5	3,03	-1,75
6	0,00	0,00

Technical data

Common values

Connector Design	Female angled cable connector
Connector locking system	Screw-locking
Termination	solder
Wire gauge (mm)	0,75 mm <sup>2</sup>
Wire gauge (AWG)	20
Max. Cable outlet	4 - 6 mm
Upper temperature	+95 °C
Lower temperature	-30 °C

Material

Material of contact	CuSn (bronze)
Contact plating	Ag (silver)
Material of contact body	PBT (UL 94 V-0)
Material of housing	PA (UL 94 HB)

Cable data

Contacts 6 DIN, female angled connector,  
cable outlet 4 - 6 mm, silver plated contacts

Electrical values

Rated voltage	250 V
Rated impulse voltage	1500 V
Pollution degree	1
Overvoltage category	I
Material group	III
Rated current (40°C)	5 A
Volume resistivity	≤ 5 mΩ
EMV compliance	not shielded
Degree of protection	IP 67
Mechanical operation	>500 mating cycles

