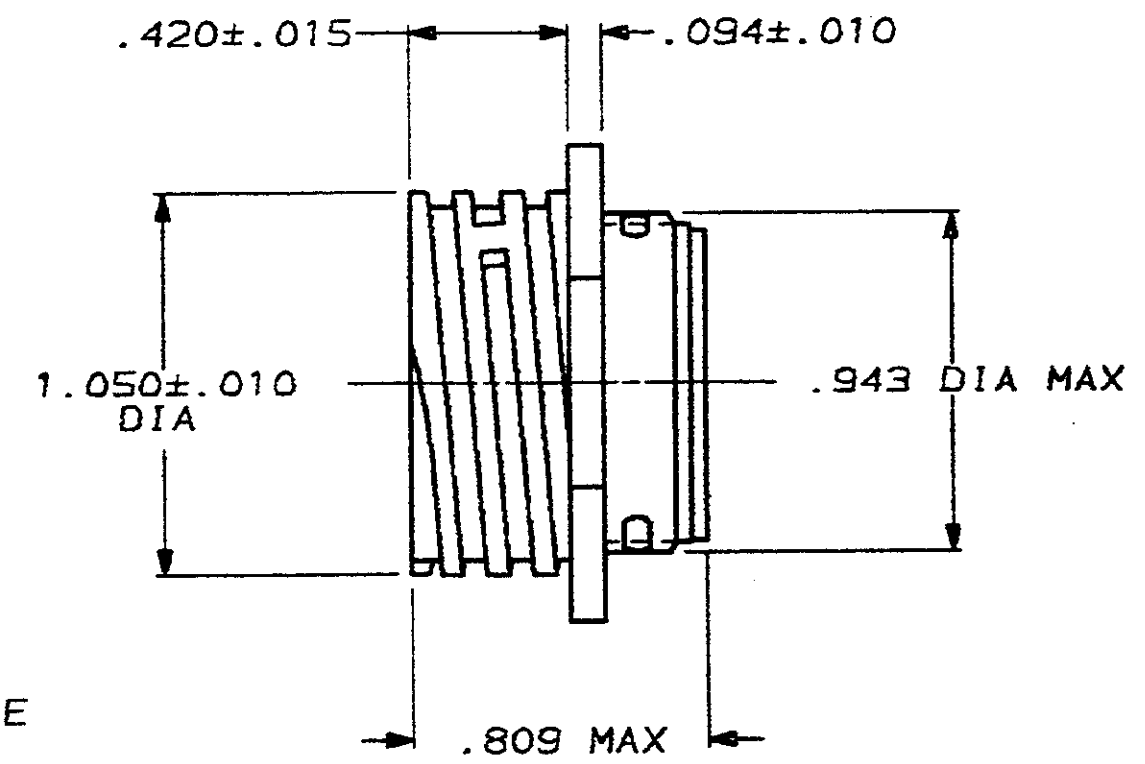
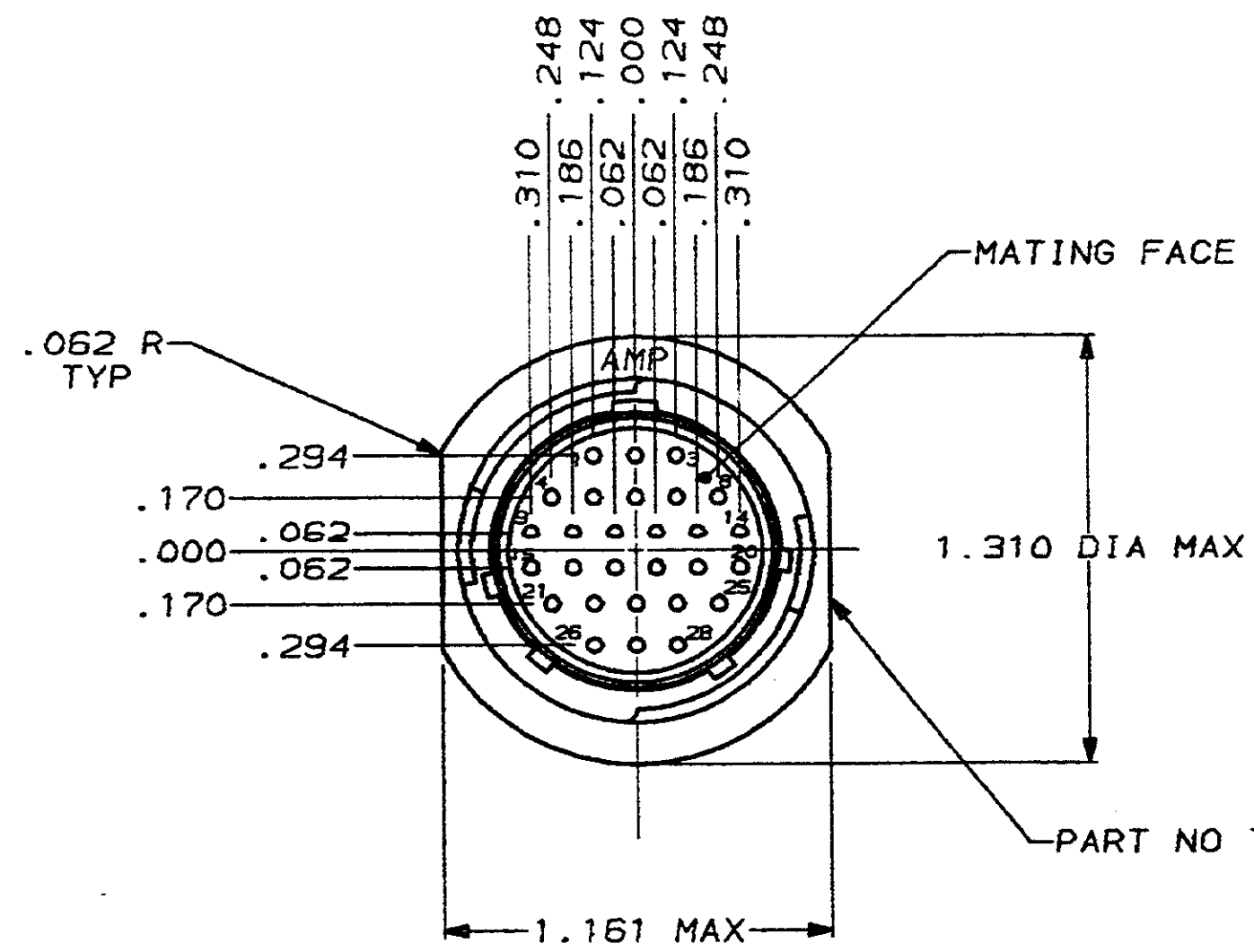


THIS DRAWING IS UNPUBLISHED. RELEASED FOR PUBLICATION .19  
 © COPYRIGHT 19 BY AMP INCORPORATED. ALL INTERNATIONAL RIGHTS RESERVED.

MOD	LOC	DIST	REVISIONS				DATE	APPD
23	BD	35	P	F	ZONE	LTR	DESCRIPTION	
						E	REDRAWN	4/1/91



206152-1  
 PART NUMBER

- CONTACT CAVITIES IDENTIFIED BY CHARACTERS ON FRONT AND REAR FACES OF CONNECTOR.
- WILL ACCEPT (28) SIZE 20 PIN CONTACTS.

DO NOT SCALE PRINT. UNLESS SPECIFIED DIMENSIONS IN INCHES TOLERANCES ON: 2 PLC DEC * - 3 PLC DEC * .005 ANGLES * -	DR 4/1/91 A. STALLB OG	<b>AMP</b> AMP Incorporated Harrisburg, PA 17105-3608
	CHK 7-24-92 M. S. LEMER	
MATERIAL THERMOPLASTIC, BLACK	APPD 7-24-92 K. BEAVER	NAME RECEPTACLE ASSEMBLY, STD SEX, SERIES 2, 17-28, CPC
	APPD 7-24-92 C. MOSE	
FINISH	PRODUCT SPEC 108-10024	SIZE <b>B</b> CASE CODE 00779 DRAWING NO 206152
	APPLICATION SPEC	SCALE 2:1 SHEET 1 OF 1
WEIGHT	-	

CUSTOMER DRAWING