

FOOT-OPERATED PUSHBUTTON TWO PEDALS, CABLE ENTRY
M20X1,5 WITH IP65, 2NO+2NC



Figure similar

Product designation	momentary-contact foot switch
General technical data	
Protection class IP	IP65
Equipment marking	
• acc. to DIN EN 61346-2	S
• acc. to DIN EN 81346-2	S
Number of switching steps	1
Number of the actuation pedals	2
Enclosure	
Material of the enclosure	metal
Color	
• of the enclosure	black
• of top part of the enclosure	grey
Safety related data	
Proportion of dangerous failures	
• with low demand rate acc. to SN 31920	50 %

• with high demand rate acc. to SN 31920 50 %

T1 value for proof test interval or service life acc. to IEC 61508 20 y

Mechanical data

Cable entry type M25 x 1.5

Ambient conditions

Ambient temperature
• during operation -25 ... +80 °C

Installation/ mounting/ dimensions

Mounting type screw fixing

Height 264 mm

Width 284 mm

Depth 140 mm

Certificates/approvals

General Product Approval

Declaration of
Conformity

Shipping Approval



EG-Konf.



ABS



LRS



PRS

Shipping
Approval

other



RINA

[Bestätigungen](#)

[sonstig](#)

Further information

Information- and Downloadcenter (Catalogs, Brochures,...)

<http://www.siemens.com/industrial-controls/catalogs>

Industry Mall (Online ordering system)

<https://mall.industry.siemens.com/mall/en/en/Catalog/product?mlfb=3SE2932-1AA20>

Cax online generator

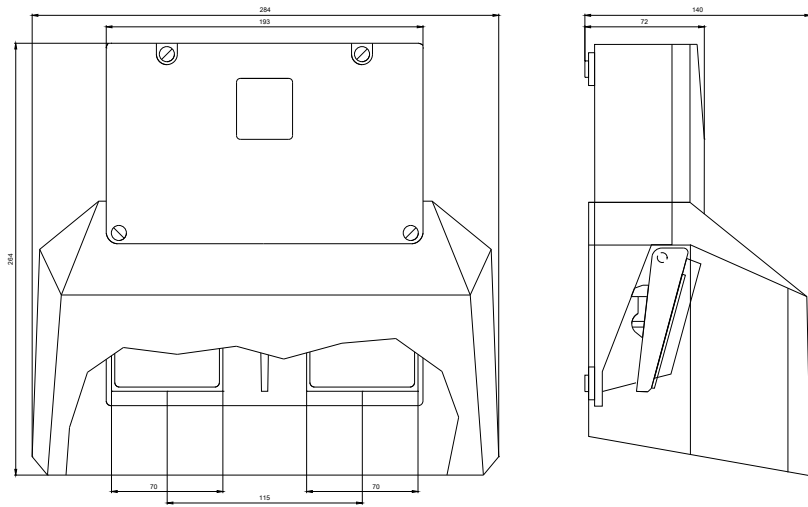
<http://support.automation.siemens.com/WW/CAXorder/default.aspx?lang=en&mlfb=3SE2932-1AA20>

Service&Support (Manuals, Certificates, Characteristics, FAQs,...)

<https://support.industry.siemens.com/cs/ww/en/ps/3SE2932-1AA20>

Image database (product images, 2D dimension drawings, 3D models, device circuit diagrams, EPLAN macros, ...)

http://www.automation.siemens.com/bilddb/cax_de.aspx?mlfb=3SE2932-1AA20&lang=en



last modified:

02/07/2017